

Product-number
SEE TABLE, SHEET 3

34.8±0.15
NOTE 5

RETAINER

IMLA Δ

HOUSING

19.45±0.1

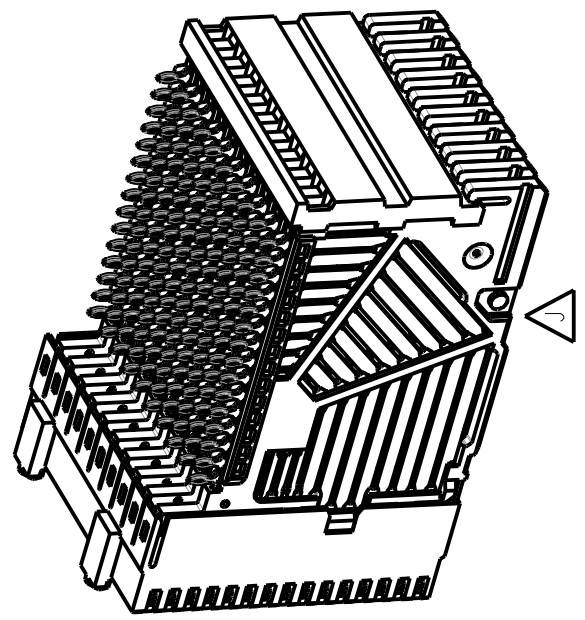
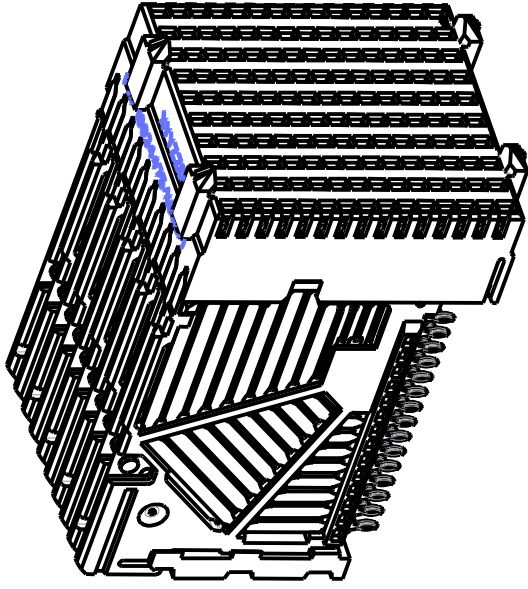
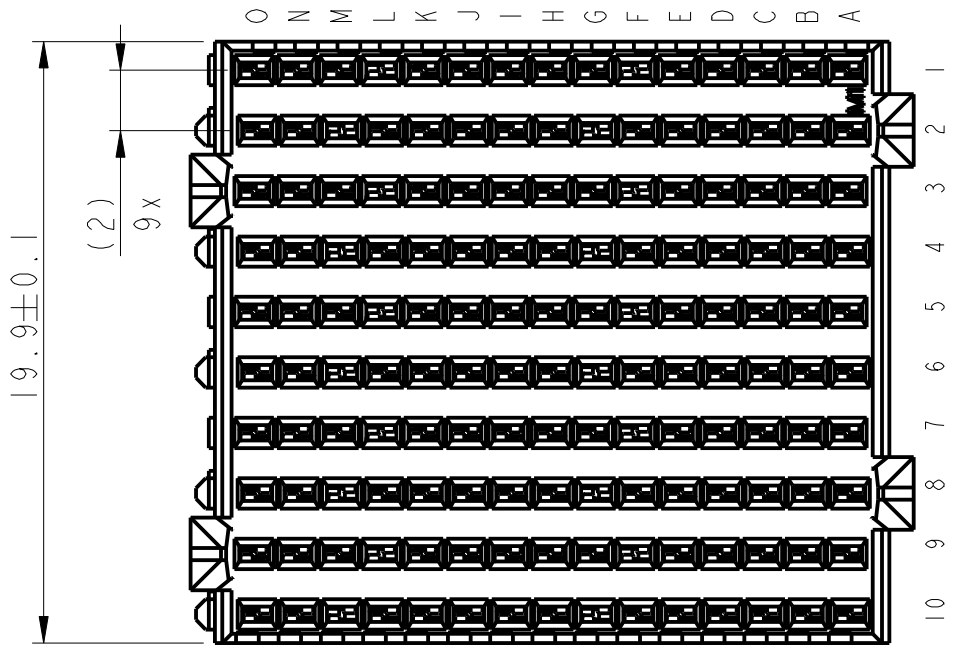
1.6±0.1
1.50x

140x (1.4)

TOP SURFACE OF DAUGHTER BOARD

(2.35)

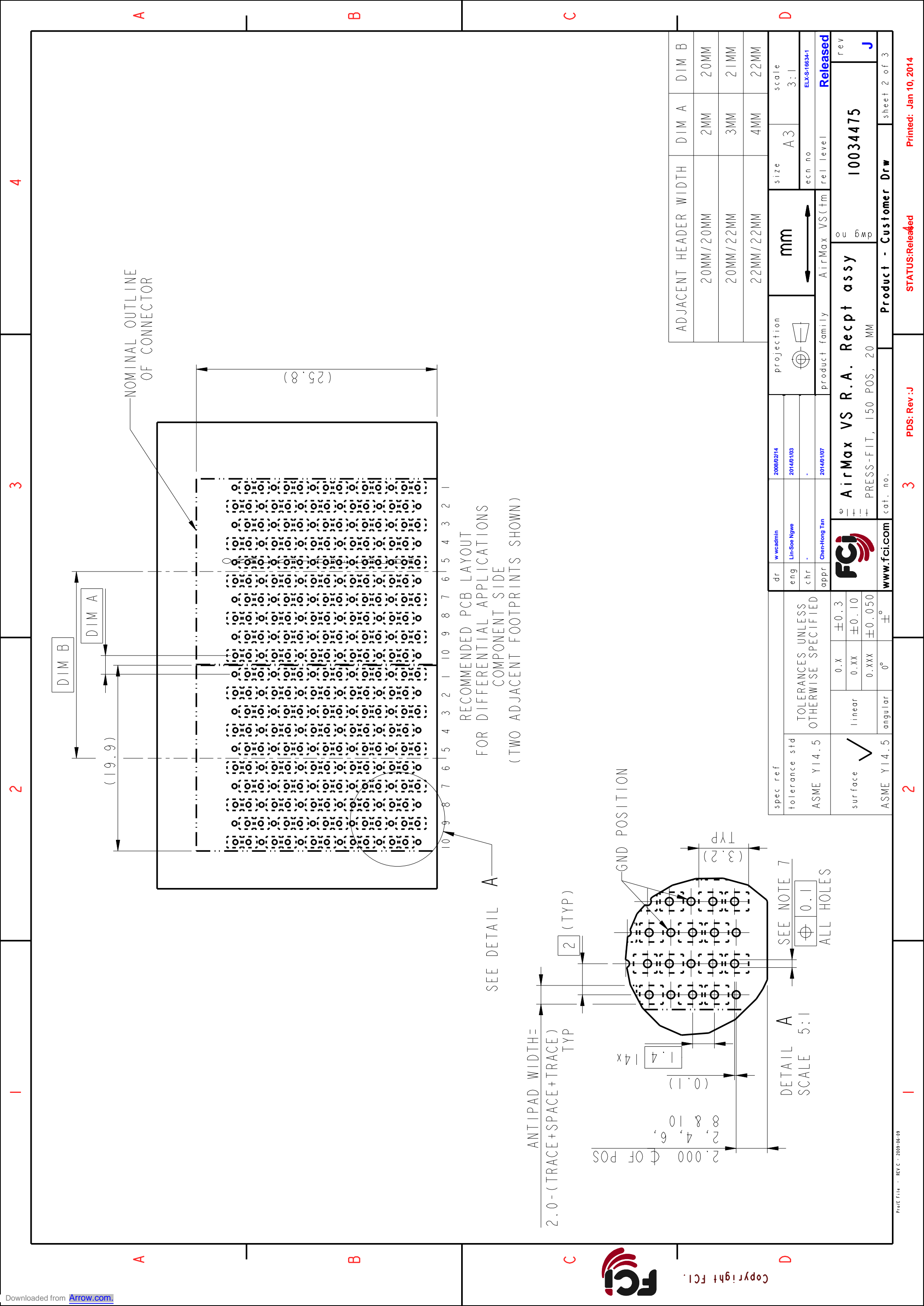
CL OF IMLA'S
2, 4, 6, 8, 10



spec ref	tolerance std	ASME Y14.5	surface	linear	0.X ±0.3 0.XX ±0.10 0.XXX ±0.050	angular	0°	±
TOLERANCES UNLESS OTHERWISE SPECIFIED								
dr	wcadmin	2008/02/14	eng	Lin-Soc Ngwe	2014/01/03	chr	.	2014/01/07
projection			mm			scale		
A3			4:1			ELX-S16634-1		
product family			-			rel level		
-			-			Released		
www.fci.com			AirMax VS R.A. Recept assy			10034475		
cat. no.			PRESS-FIT, 150 POS, 20 MM			ou gwp		
-			-			Product - Customer Drw		
-			-			sheet 1 of 3		
-			-			rev		
-			-			J		



Copyright FCI



ADJACENT HEADER WIDTH	DIM A	DIM B
20MM/20MM	2MM	20MM
20MM/22MM	3MM	21MM
22MM/22MM	4MM	22MM

projection	mm	size	A3	scale	3:1
product family	AirMax VS(tm)	ecn no		ELX-S16634-1	
rel level	Released				

part no	10034475	rev	J
Product - Customer Drw	Product - Customer Drw		
sheet 2 of 3	sheet 2 of 3		

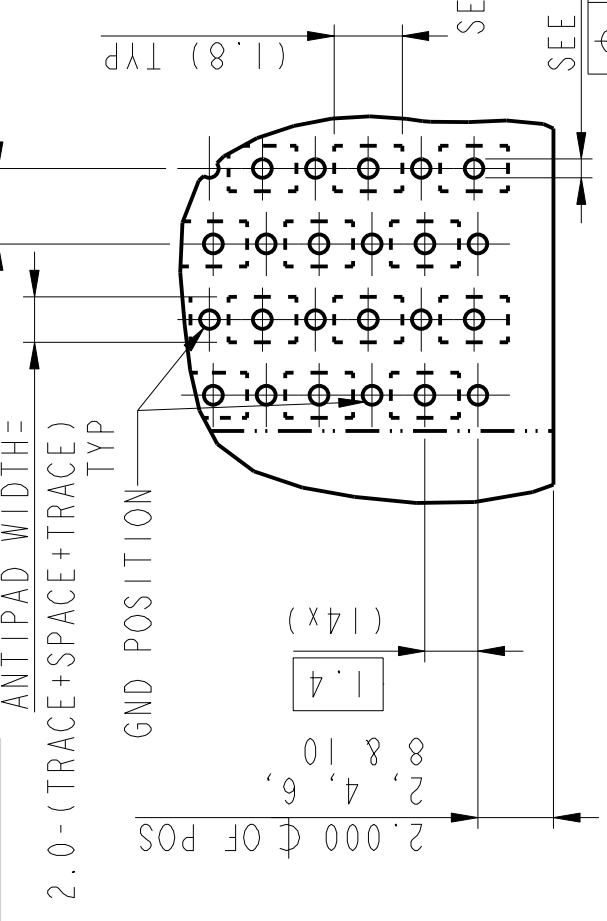
dr	wcadmin	2008/02/14
eng	Lin-Soc Ngwe	2014/01/03
chr		
appr	Chen-Hong Tan	2014/01/07

spec ref	tolerance std	tolerance
ASME Y14.5	OTHERWISE SPECIFIED	0.X \pm 0.3
surface	linear	0.XX \pm 0.10
ASME Y14.5	angular	0.XXX \pm 0.050
		0° \pm

www.fcicom	cat. no.	
FCI	AirMax VS R.A. Recept assy	10034475
	PRESS-FIT, 150 POS, 20 MM	

www.fcicom	cat. no.	
Product - Customer Drw	Product - Customer Drw	
sheet 2 of 3	sheet 2 of 3	

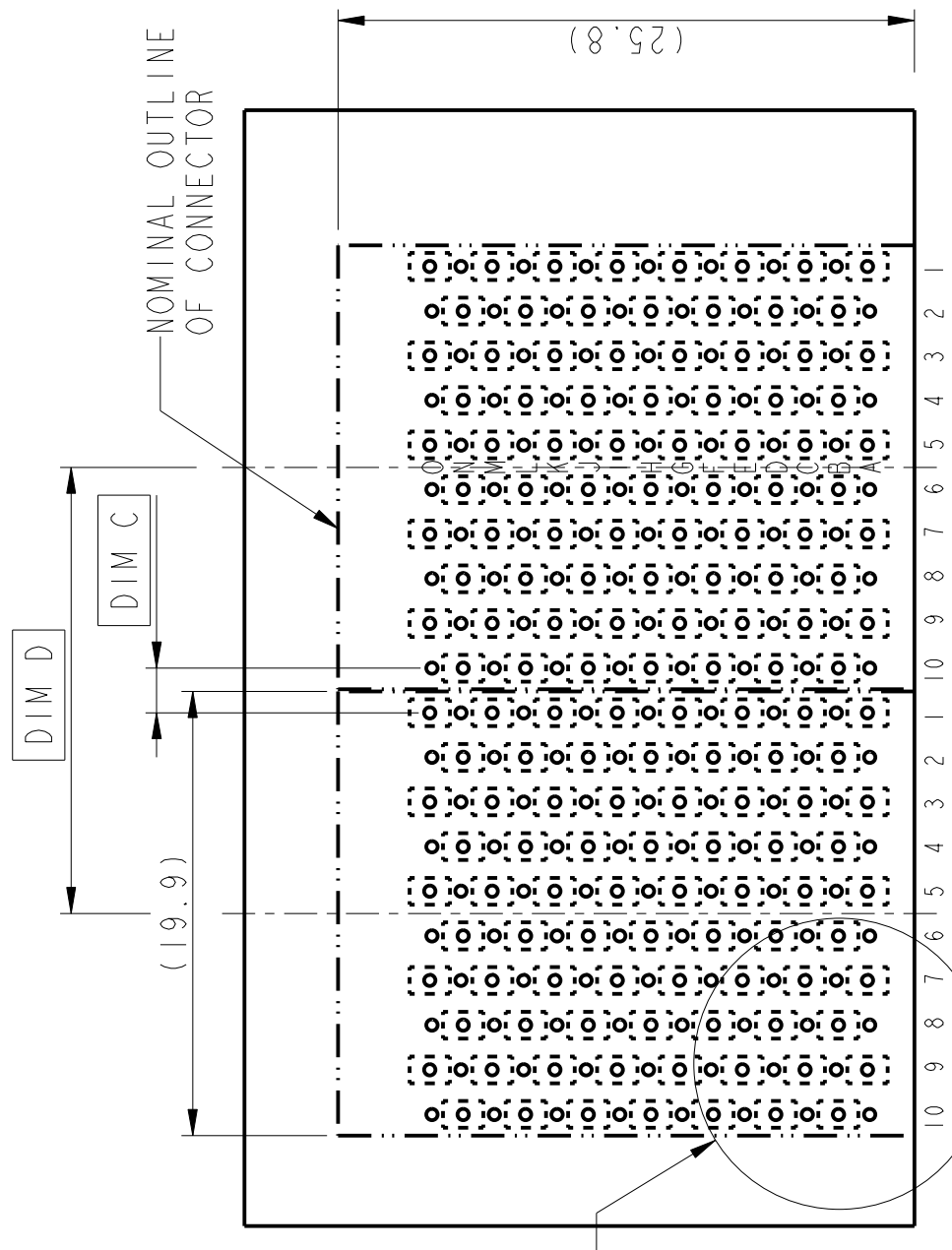
PART NUMBER	PRESS FIT TAIL PLATING TYPE
10034475-101	TIN/LEAD ALLOY OVER NICKEL
10034475-101LF	LEAD FREE



NOTES:

- CONNECTOR MATERIALS:
HOUSING & RETAINER: HIGH TEMP THERMOPLASTIC, NATURAL, UL94V-0
IMLA PLASTIC: HIGH TEMP PLASTIC, BLACK, UL94V-0
CONTACT: COPPER ALLOY.

- CONTACT PLATING:
SEPARABLE INTERFACE: PERFORMANCE BASED PLATING, QUALIFIED TO MEET THE REQUIREMENTS OF FCI PRODUCT SPECIFICATION GS-12-239, INCLUDING TELCORDIA GR-1217-CORE (NOV 1995) CENTRAL OFFICE TEST SEQUENCE.
PRESS-FIT TAILS: SEE TABLE
- PRODUCT SPECIFICATION: GS-12-239
- APPLICATION SPECIFICATION: GS-20-035
- PRODUCT MARKING, (PARTNUMBER & LOT CODE), ON THIS SURFACE
- THERE IS NO GROUND BUSSING WITHIN THE CONNECTOR SYSTEM.
- SEE CUSTOMER DRAWING 10045979 FOR INFORMATION ON PCB HOLE DIAMETER AND PLATING OPTIONS
- THIS PRODUCT MEETS EUROPEAN UNION DIRECTIVES AND OTHER COUNTRY REGULATIONS AS DESCRIBED IN GS-22-008.
- THE HOUSING WILL WITHSTAND EXPOSURE TO 260 °C PEAK TEMPERATURE FOR 40 SECONDS IN A CONVECTION, INFRA-RED OR VAPOR PHASE REFLOW OVEN.
- PAGE MEETS GS-14-920 LEAD FREE LABELLING SPEC.
- A Δ SYMBOL WILL BE NEXT TO ANY DIMENSION, VIEW, OR NOTE WHICH HAS BEEN MODIFIED WITH THE CURRENT DRAWING REVISION.



RECOMMENDED PCB LAYOUT FOR SINGLE ENDED APPLICATIONS COMPONENT SIDE (TWO ADJACENT FOOTPRINTS SHOWN)

ADJACENT HEADER WIDTH	DIM C	DIM D
20MM/20MM	2MM	20MM
20MM/22MM	3MM	21MM
22MM/22MM	4MM	22MM

spec ref	tolerance std	ASME Y14.5	surface	linear	0.X ±0.3 0.XX ±0.10 0.XXX ±0.050	angular	0°	±
dr	eng	chr	appr	www.fcicom				
w: wadmin	Lin-Soc Ngwe	Chen-Hong Tan		www.fcicom				
2008/02/14	2014/01/03			www.fcicom				
projection	mm	size	A3	scale	3:1			
product family	AirMax VS(tm)	ecn no	ELX-S16634-1	Released				
AirMax VS R.A. Recept assy			10034475		rev J			
PRESS-FIT, 150 POS, 20 MM			Product - Customer Drw		sheet 3 of 3			



Copyright FCI