

**BACKSHELL KIT INCLUDES:**

(2) BACKSHELL HALVES

(2) 4-40 THUMBSCREWS

(2) HOUSING SCREWS & (2) NUTS

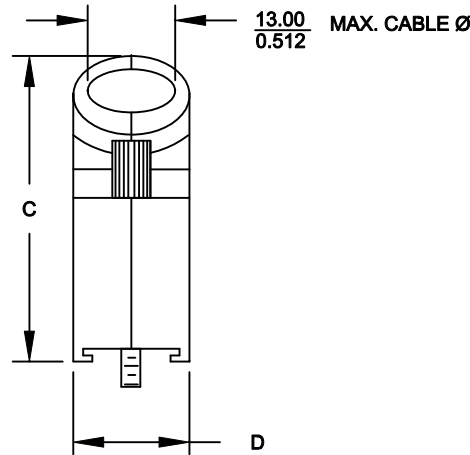
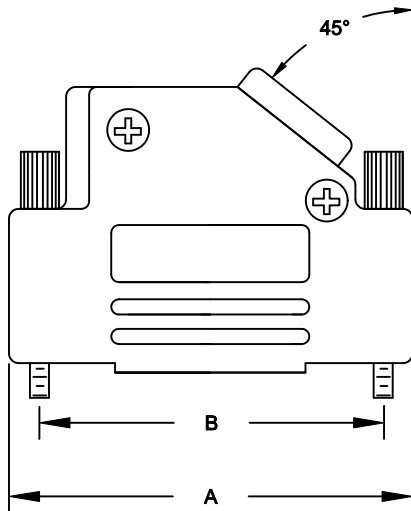
(1) SET OF COMPRESSION INSERTS - VARIOUS SIZES

DIAMETERS: 4mm (.157"), 5mm (.197"), 7mm (.276"), 9mm (.351")

**NOTE: 9 POSITION HAS ONLY 1 THUMBSCREW**

(OPPOSITE CABLE ENTRY)

DIMENSIONS (mm/in)				
SIZE:	A $\pm .25$ $\pm .010$	B $\pm .13$ $\pm .005$	C $\pm .25$ $\pm .010$	D $\pm .25$ $\pm .010$
9	31.00	24.99	36.30	15.00
	1.220	0.984	1.429	0.591
15	39.50	33.32	40.30	15.00
	1.555	1.312	1.587	0.591
25	53.20	47.04	40.30	15.00
	2.094	1.852	1.587	0.591
37	69.70	63.50	1.587	15.00
	2.744	2.500	1.646	0.591



**ORDERING INFORMATION**

SIZE:	P/N KITTED:	PRODUCT CODE:
9-WAY	6560-0107-11	MHD45PPK-9-BK-K
15-WAY	6560-0107-12	MHD45PPK-15-BK-K
25-WAY	6560-0107-13	MHD45PPK-25-BK-K
37-WAY	6560-0107-14	MHD45PPK-37-BK-K

SIZE:	P/N BULK:	PRODUCT CODE:
9-WAY	6561-0107-11	MHD45PPK-9-BK
15-WAY	6561-0107-12	MHD45PPK-15-BK
25-WAY	6561-0107-13	MHD45PPK-25-BK
37-WAY	6561-0107-14	MHD45PPK-37-BK

PLASTIC: ABS POLYLAC - BLACK - UL RECOGNIZED

4-40 THUMBSCREWS: STEEL - BLACK OXIDE

HOOD SCREWS: STEEL - BLACK OXIDE

COMPRESSION INSERTS: ABS UL RECOGNIZED

NUTS: STEEL - STEEL - BLACK OXIDE

OPERATING TEMP: -55°C TO +110°C

THESE DRAWINGS AND SPECIFICATIONS ARE THE PROPERTY OF MH CONNECTORS LTD. AND SHALL NOT BE REPRODUCED, COPIED OR USED AS THE BASIS FOR THE MANUFACTURE OR SALE OF APPARATUS WITHOUT WRITTEN PERMISSION.

<b>DRAWN</b> P. JENKINS	<b>DATE</b> 03-14-12
----------------------------	-------------------------

<b>APPROVED</b> D. CROFT	<b>DATE</b> 03-14-12
-----------------------------	-------------------------

<b>SCALE</b> NTS	<b>SHEET</b> 1	<b>OF</b> 1	<b>REV:</b> A
---------------------	-------------------	----------------	------------------

**DRAWING No**  
MHD45PPK SERIES

**RoHS COMPLIANT**



**MH CONNECTORS LTD.**