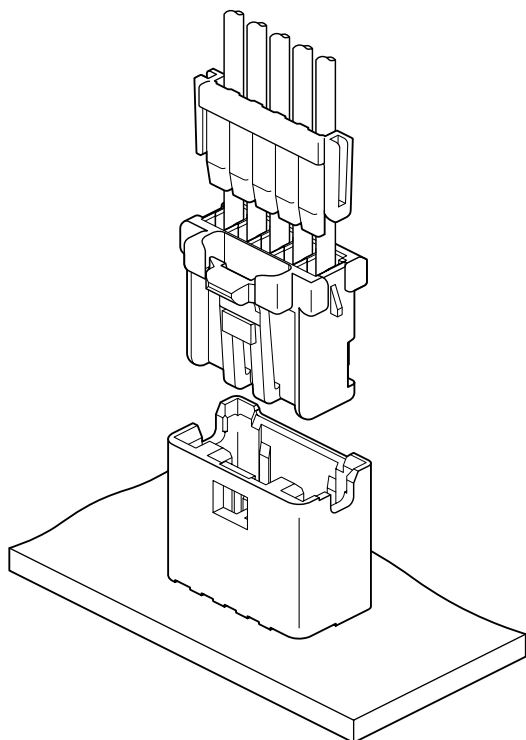


PNI CONNECTOR

2.0mm pitch/Disconnectable Crimp style connectors



This is a 2.0mm pitch wire-to-board connector, having incomplete mating prevention mechanism.

- Inertial lock structure
- Finger-friendly design
- Secure locking structure

Specifications

- Current rating: 3 A AC, DC (AWG #22)
- Voltage rating: 100 V AC, DC
- Temperature range: -25°C to +85°C
(including temperature rise in applying electrical current)
- Contact resistance: Initial value/ 10 mΩ max.
After environmental tests/ 20 mΩ max.
- Insulation resistance: 1,000 MΩ min.
- Withstanding voltage: 800 VAC/minute
- Applicable wire: Conductor size/ AWG #28 to #22
Insulation O.D./ 0.76 to 1.5 mm
- Applicable PC board thickness: 1.6 mm

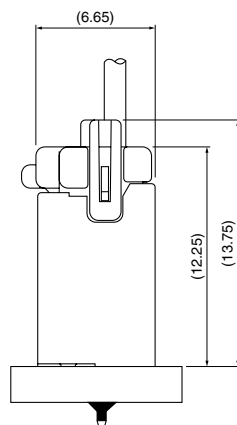
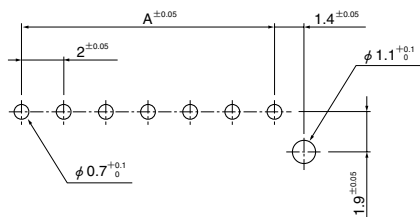
- * Refer to "General Instruction and Notice when using Terminals and Connectors" at the end of this catalog.
- * Contact JST for details.
- * Compliant with RoHS.

Standards

Recognized E60389

Certified LR20812

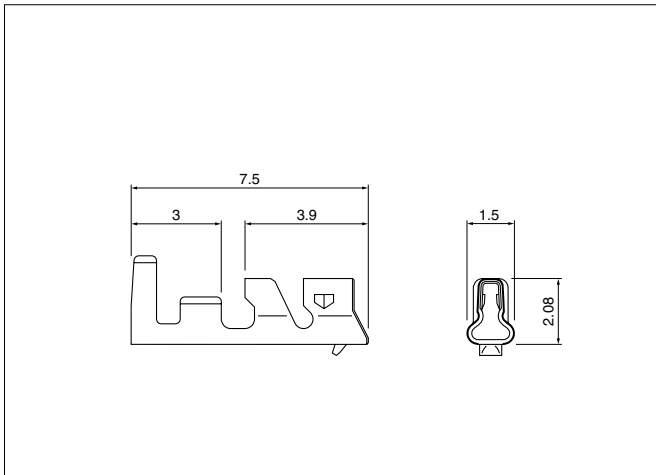
PC board layout and Assembly layout



- Note: 1. The above figure is the figure viewed from the connector mounting side.
2. Tolerances are non-cumulative: ± 0.05 mm for all centers.
3. Hole dimensions differ according to the type of PC board and piercing method.
The dimensions above should serve as a guideline. Contact JST for details.

PNI CONNECTOR

Contact



| Model No. | Applicable wire | | Insulation O.D. (mm) | Q'ty/reel |
|-----------------------|-----------------|-------|----------------------|-----------|
| | mm ² | AWG # | | |
| SPND-001T-C0.5 | 0.13~0.33 | 26~22 | 1.0~1.5 | 8,000 |
| SPND-002T-C0.5 | 0.08~0.22 | 28~24 | 0.76~1.5 | 8,000 |

Material and Finish

Copper alloy, tin-plated (reflow treatment)

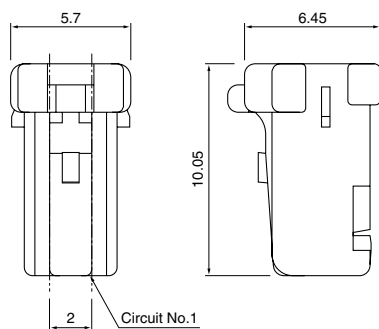
RoHS compliance

| Contact | Crimping machine | Applicator | | |
|-----------------------|------------------|-------------------|---------------------|----------------------------|
| | | Crimp applicator | Dies | Crimp applicator with dies |
| SPND-001T-C0.5 | AP-K2N | MKS-L | MK/SPND-001-05 | APLMK SPND001-05 |
| | | *MKS-SC | SC/SPND-001-05 | APLSC SPND00105 |
| MKS-L | | MK/SPAD/ND-002-05 | APLMK SPAD/ND002-05 | |
| — | | — | — | |
| SPND-002T-C0.5 | | | | |

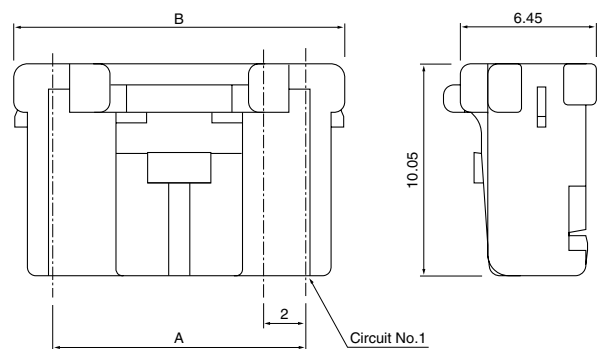
Note: *Strip-crimp applicator

Housing

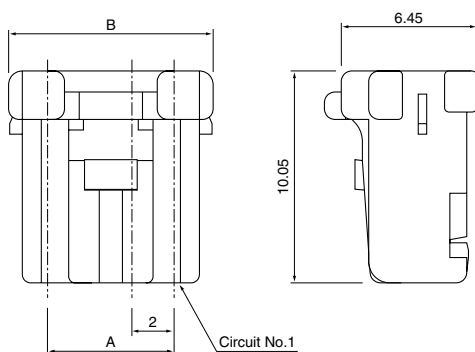
<2 circuits>



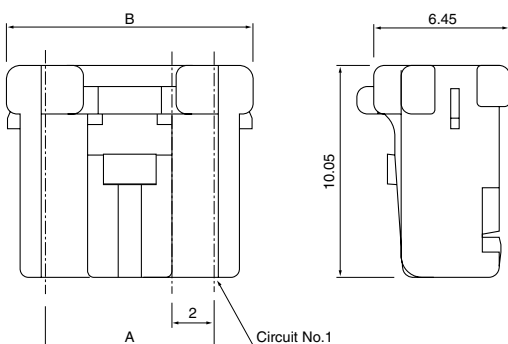
<7 to 10 circuits>



<3, 4 circuits>



<5, 6 circuits>



| Circuits | Model No. | Dimensions (mm) | | Q'ty/bag |
|----------|--------------------|-----------------|------|----------|
| | | A | B | |
| 2 | PNIRP-02V-S | — | 5.7 | 1,000 |
| 3 | PNIRP-03V-S | 4.0 | 7.7 | 1,000 |
| 4 | PNIRP-04V-S | 6.0 | 9.7 | 1,000 |
| 5 | PNIRP-05V-S | 8.0 | 11.7 | 1,000 |
| 6 | PNIRP-06V-S | 10.0 | 13.7 | 1,000 |
| 7 | PNIRP-07V-S | 12.0 | 15.7 | 1,000 |
| 8 | PNIRP-08V-S | 14.0 | 17.7 | 1,000 |
| 9 | PNIRP-09V-S | 16.0 | 19.7 | 1,000 |
| 10 | PNIRP-10V-S | 18.0 | 21.7 | 1,000 |

Material

Glass-filled PBT, UL94V-0, natural (white)

RoHS compliance

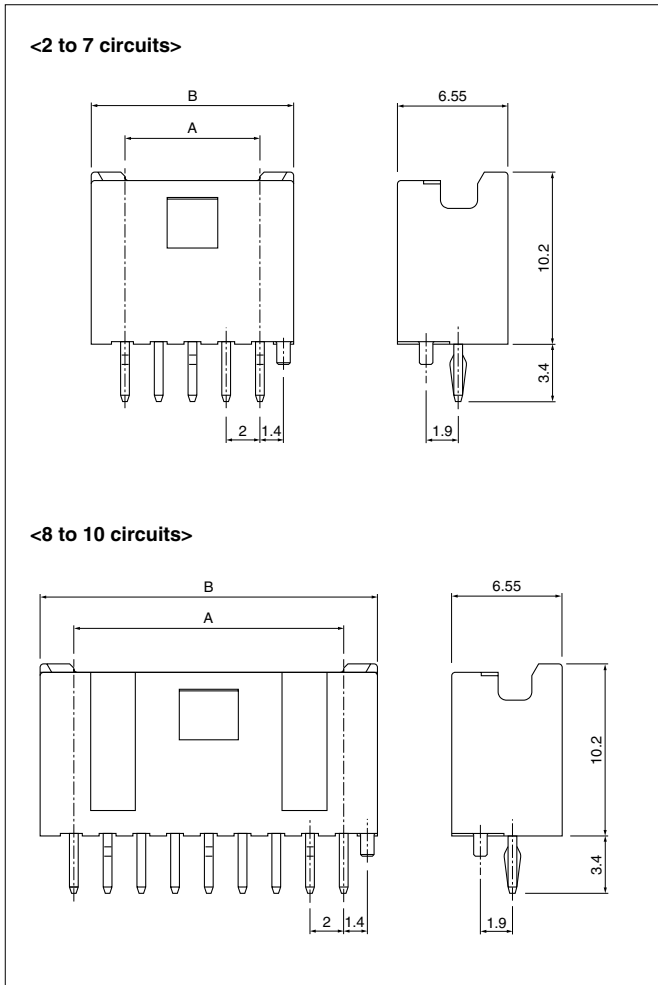
<For reference> As the color identification, the following alphabet shall be put in the underlined part. For availability, delivery and minimum order quantity, contact JST.

ex. **PNIRP-02V-S**

S...natural (white) M...green R...red E...blue H...gray
LG...light green K...black Y...yellow

PNI CONNECTOR

Shrouded header



Glass-filled PBT

| Circuits | Model No. | Dimensions (mm) | | Q'ty/ box |
|----------|---------------------|-----------------|------|--------------|
| | With boss | A | B | |
| 2 | B02B-PNISK-1 | 2.0 | 6.0 | 1,000 |
| 3 | B03B-PNISK-1 | 4.0 | 8.0 | 1,000 |
| 4 | B04B-PNISK-1 | 6.0 | 10.0 | 500 |
| 5 | B05B-PNISK-1 | 8.0 | 12.0 | 500 |

Material and Finish

Post: Copper alloy, copper-undercoated, tin-plated (reflow treatment)
Wafer: Glass-filled PBT, UL94V-0, natural (white)

RoHS compliance This product displays (LF)(SN) on a label.

Glass-filled PA 66

| Circuits | Model No. | Dimensions (mm) | | Q'ty/ box |
|----------|----------------------|-----------------|------|--------------|
| | With boss | A | B | |
| 2 | B02B-PNISK-1A | 2.0 | 6.0 | 1,000 |
| 3 | B03B-PNISK-1A | 4.0 | 8.0 | 1,000 |
| 4 | B04B-PNISK-1A | 6.0 | 10.0 | 500 |
| 5 | B05B-PNISK-1A | 8.0 | 12.0 | 500 |
| 6 | B06B-PNISK-1A | 10.0 | 14.0 | 350 |
| 7 | B07B-PNISK-1A | 12.0 | 16.0 | 300 |
| 8 | B08B-PNISK-1A | 14.0 | 18.0 | 250 |
| 9 | B09B-PNISK-1A | 16.0 | 20.0 | 250 |
| 10 | B10B-PNISK-1A | 18.0 | 22.0 | 250 |

Material and Finish

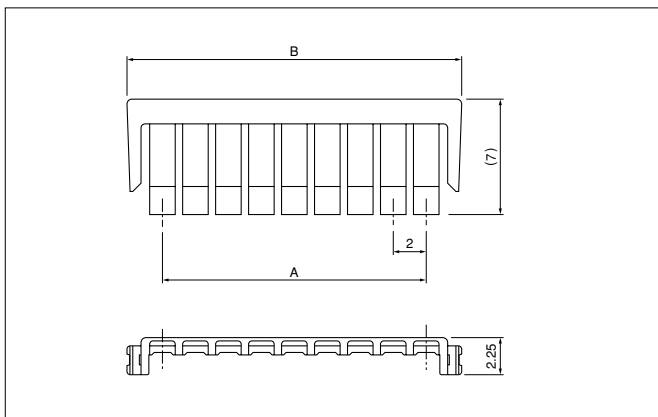
Post: Copper alloy, copper-undercoated, tin-plated (reflow treatment)
Wafer: Glass-filled PA 66, UL94V-0, natural (white)

RoHS compliance This product displays (LF)(SN) on a label.

<For reference> As the color identification,
the following alphabet shall be put in the underlined part.
For availability, delivery and minimum order quantity, contact JST.

- ex. **B02B-PNISK-1**
S...natural (white) M...green R...red E...blue H...gray
K...black
- ex. **B02B-PNISK-1A**
S...natural (white) M...green R...red E...blue H...gray LG...light
green Y...yellow

Retainer



| Circuits | Model No. | Dimensions (mm) | | Q'ty/ bag |
|----------|-----------------|-----------------|------|--------------|
| | | A | B | |
| 2 | PNIS-02V | 2.0 | 6.3 | 1,000 |
| 3 | PNIS-03V | 4.0 | 8.3 | 1,000 |
| 4 | PNIS-04V | 6.0 | 10.3 | 1,000 |
| 5 | PNIS-05V | 8.0 | 12.3 | 1,000 |
| 6 | PNIS-06V | 10.0 | 14.3 | 1,000 |
| 7 | PNIS-07V | 12.0 | 16.3 | 1,000 |
| 8 | PNIS-08V | 14.0 | 18.3 | 1,000 |
| 9 | PNIS-09V | 16.0 | 20.3 | 1,000 |
| 10 | PNIS-10V | 18.0 | 22.3 | 1,000 |

Material

Glass-filled PA 66, UL94V-0, natural (ivory)

RoHS compliance