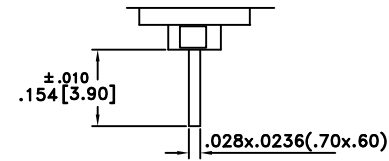
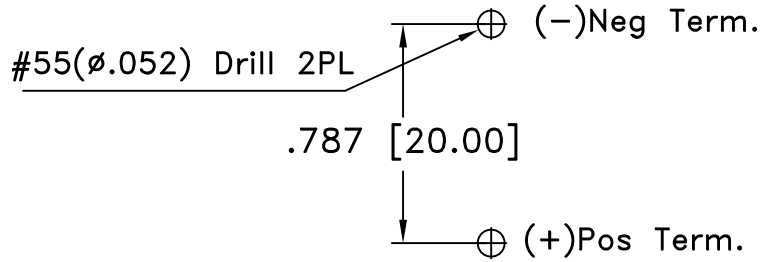
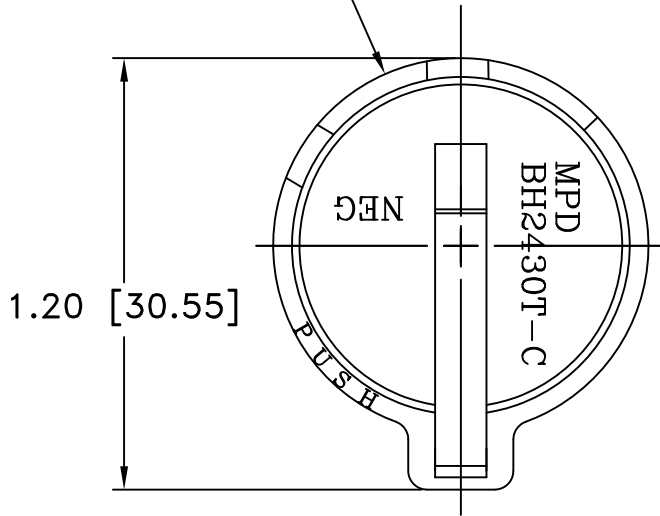


PCB LAYOUT

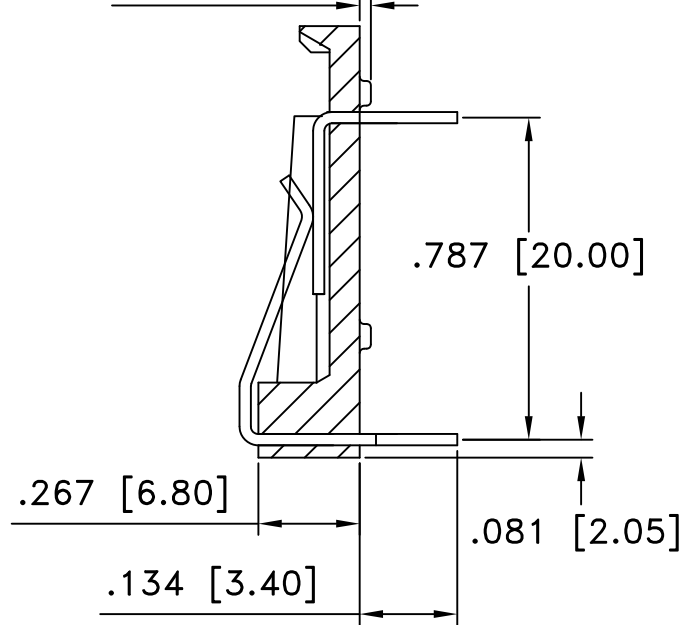
Date	SYM	REVISION RECORD	AUTH	DR.	CK.
4/22/06	B	Added "ROHS COMPLIANT"	T.B.	B.S.	
1/11/08	C	Dim. .154 was .204 Dim. .028 was .025	T.B.	B.S.	
11/14/14	D	Updated to ROHS 2 Compliant	T.B.	B.S.	



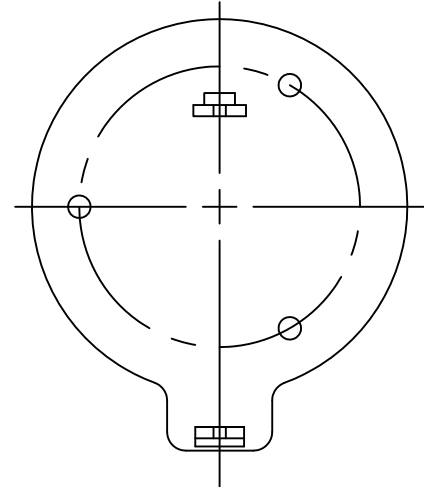
ø1.13 [ø28.80]



.02 [0.5]




SQUARE CONTACT DETAIL



SPECIFICATIONS

- \*Holder material- Black PBT
- \*Flammability rating-UL94V-0, UL file no. E53829
- \*Contacts :  
 Positive: 0.0236" thick PHOS-BRONZE, Nickel Pltd.  
 Negative: 0.0236" thick spring tempered Stainless Steel, Nickel Pltd.
- \*Temperature Range: -40°C to +140°C
- ROHS 2 COMPLIANT

Tolerance (Except as noted)	 Memory protection Devices, Inc 200 Broad Hollow Road, Farmingdale, New York 11735		
decimal ±.5 (.020)	Scale	Drawn By B.S. Approved By T.B.	
Fractional ± .8 (.030)	Title BATTERY HOLDER		
Angular ± 3°	Date 11/14/14	Drawing Number BH2430T-C	