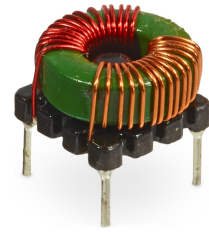
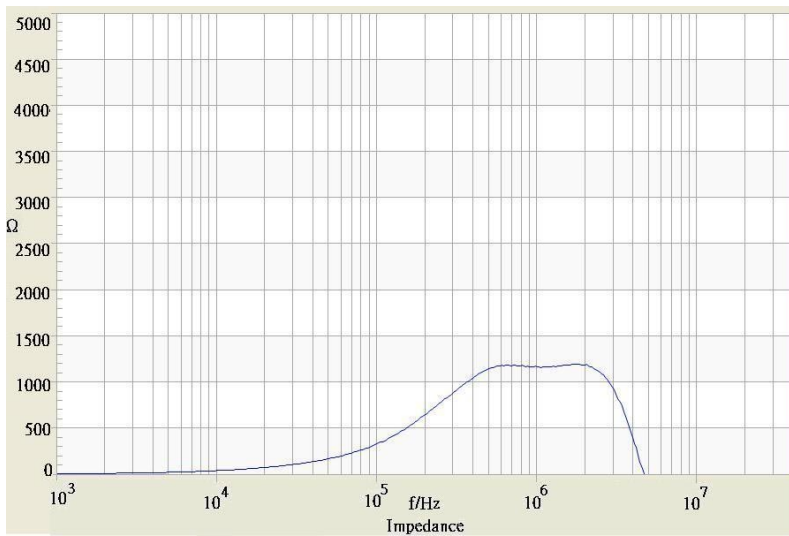


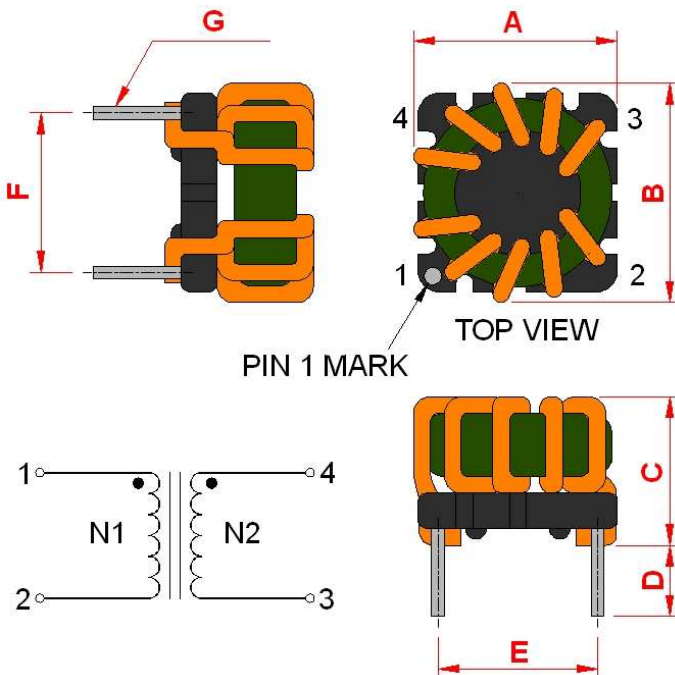
Order Code	TCK-017
Inductance (each winding)	497 $\mu\text{H} \pm 25\%$ (at 100 kHz / 20 mV)
Impedance (DCR)	100 mOhm max.
Rated Current	1.7 A max.
Rated Voltage	500 VDC max. (between windings)
Operating Temperature	-40°C to +105°C



Impedance Curve



Outline Dimensions



Dimensions [mm]

Dimension	Value
A	11.5 max.
B	11.5 max.
C	8.8 max.
D	2.5 min.
E	7.62 ± 0.2
F	7.62 ± 0.2
G	$\varnothing 0.6 \pm 0.1$