

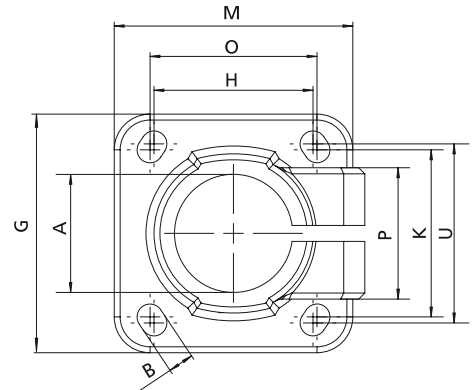
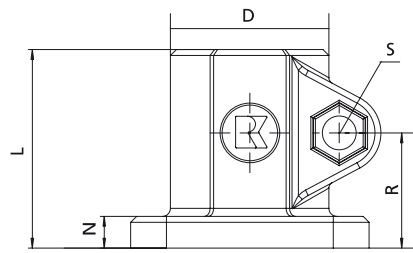
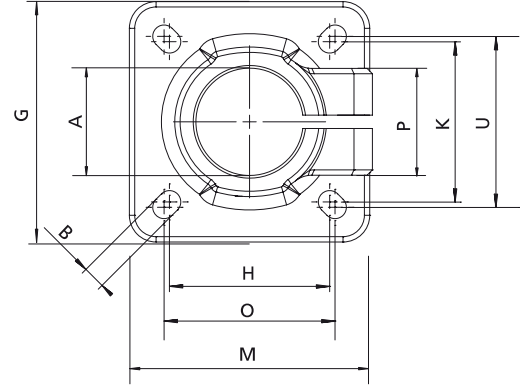
Solid Clamps – Base clamps

Order instruction:

- Standard equipment zinc plated screws
- Clamping lever see accessories page 221

On request:

- Stainless steel screws
- Ball-polished
- Colour



FS - Industrial design

[mm]

Code No.	Type	A	B	D	G	H	K	L	M	N	O	P	R	S	U	m [g]
13120000020	FS 12	12,1														65
13140000020	FS 14	14,1														61
13150000020	FS 15	15,1	5,5	25	42	28	28	37	42	5	30	23	21	M6x20	30	58
13160000020	FS 16	16,1														57
13180000020	FS 18	18,1														52
13200000020	FS 20	20,1														186
13250000020	FS 25	25,1	6,5	40	60	40	42	50	60	8	42	33	29	M8x25	45	164
13300000020	FS 30	30,1														137
13320000020	FS 32	32,17														465
13300200020	FS 30(32)	30,1	8,5	56	90	60	60	70	90	10	64	40	40	M10x30	64	465
13350000020	FS 35	35,17														450
13400000020	FS 40	40,17														385
13400200020	FS 40(42)	40,17														758
13420000020	FS 42	42,22														720
13480000020	FS 48	48,22	10,5	66	105	74	74	85	105	14	80	45	49,5	M10x35	80	636
13500000020	FS 50	50,22														603
13600000020	FS 60	60,27	10,5	80	120	80	80	100	120	15	89	58	57,5	M12x45	89	935
13800000020	*FS 80	80,35	17,5	110	170	120	120	141,4	174,5	22	-	82	119	M16x65	-	2770

Type FS 20–30 turned by 90°

* Type FS 80 with round hole