



Our *passion* is enclosures.



aluCASE

Premium enclosures made of aluminium

Technical data

aluCASE



Integrated lid supports



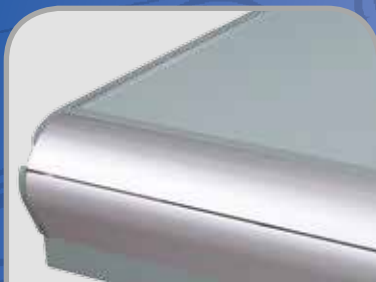
Enclosure fixing with closed lid



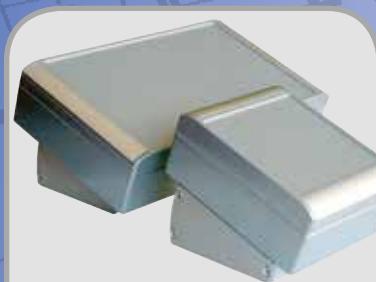
Transparent lid version



Design covers for the perfect appearance



External hinges without visible screws



Console adapter on request



Access safeguard by means of key lock



Integrated recess for membrane keypads

Enclosure: Die-cast aluminium EN AN-44300 DIN EN 1706 (GD AL SI 12 / DIN 1725). 1° mould slope for casting ejection, internal measures diminishing circulatory towards enclosure bottom by 1°.

Integrated recess: In the lid for membrane keypad or front plates.

Components: Fastening thread M5 in the lower and upper section.

Ingress protection: IP67 / EN 60529

Gasket: TPE moulded gasket, silicone-free (-40°C to +120°C)

Lid screws: Stainless steel 1.4567 (V2A), captive

Design covers: Latching, polyoxymethylene (POM) RAL 7040, window grey.

Integrated lid supports: Polypropylene (PP) in RAL 7040, window grey

Surface: Powder coating in RAL 7040, window grey

Optionally available:

Design covers: Latching, aluminium profile, anodised silver

Transparent lid: Polycarbonate (PC) AC 092K and ACF 110K

Gasket: Silicone gasket (-50°C to +140°C), EMC gasket (-55°C to +160°C)

Ingress protection: IP69K / DIN 40050

Surface: Corrosion protection, special colours

Further options see range overview.

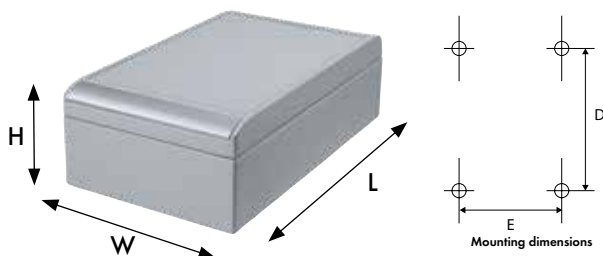
Range overview aluCASE

Type	Mat.-Nr.	L	W	H	D	E	g	ID	DP	DA	S	ST	L	D	EMC	69K
AC 052	191.052.000	75	50	33	61	34	134	○	□	○	○	○	●	●	●	●
AC 054	191.054.000	100	50	33	86	34	166	○	□	○	○	○	●	●	●	●
AC 070	191.070.000	100	70	50	84	33	328	○	□	○	○	○	●	●	●	●
AC 072	191.072.000	140	70	50	124	33	411	○	□	○	○	○	●	●	●	●
AC 074	191.074.000	180	70	50	164	33	495	○	□	○	○	○	●	●	●	●
AC 090	191.090.000	120	90	60	102	40	580	□	□	●	○	○	●	●	●	●
AC 092	191.092.000	160	90	60	142	40	680	□	□	●	○	○	●	●	●	●
AC 092K	192.092.000	160	90	60	142	40	520	□	□	●	○	○	●	●	●	●
AC 094	191.094.000	250	90	60	232	40	861	□	□	●	○	○	●	●	●	●
ACF 110	190.110.000	140	110	60	122	60	700	□	□	●	●	●	●	●	●	●
ACF 110K	192.110.000	140	110	60	122	60	534	□	□	●	●	●	●	●	●	●
ACF 112	190.112.000	200	110	60	182	60	880	□	□	●	●	●	●	●	●	●
ACF 130	190.130.000	160	130	70	142	80	910	□	□	●	●	●	●	●	●	●
ACF 132	190.132.000	220	130	70	202	80	1.130	□	□	●	●	●	●	●	●	●
ACF 150	190.150.000	180	150	60	162	100	968	□	□	●	●	●	●	●	●	●
AC 150	191.150.000	180	150	90	162	100	1.216	□	□	●	●	●	●	●	●	●
ACF 152	190.152.000	260	150	60	242	100	1.273	□	□	●	●	●	●	●	●	●
AC 152	191.152.000	260	150	90	242	100	1.569	□	□	●	●	●	●	●	●	●
ACF 170	190.170.000	200	170	60	182	120	1.096	□	□	●	●	●	●	●	●	●
AC 170	191.170.000	200	170	90	182	120	1.430	□	□	●	●	●	●	●	●	●
ACF 172	190.172.000	280	170	60	262	120	1.471	□	□	●	●	●	●	●	●	●
AC 172	191.172.000	280	170	90	262	120	1.789	□	□	●	●	●	●	●	●	●
ACF 200	190.200.100	230	200	90	212	144	1.720	□	○	□	●	●	●	●	●	●
AC 200	191.200.100	230	200	120	212	144	2.005	□	○	□	●	●	●	●	●	●
AC 202	191.202.100	330	200	120	312	144	2.328	□	○	□	●	●	●	●	●	●
* AC 250	191.250.100	280	250	120	262	194	2.643	□	○	□	●	●	●	●	●	○
* AC 252	191.252.100	380	250	120	362	194	3.295	□	○	□	●	●	●	●	●	○
* AC 300	191.300.100	330	300	120	312	244	3.353	□	○	□	●	●	●	●	●	○
* AC 302	191.302.100	430	300	120	412	244	4.092	□	○	□	●	●	●	●	●	○

* IP66 / Chloroprene gasket (-30°C bis +90°C)

□ Standard ● Available ○ Not available

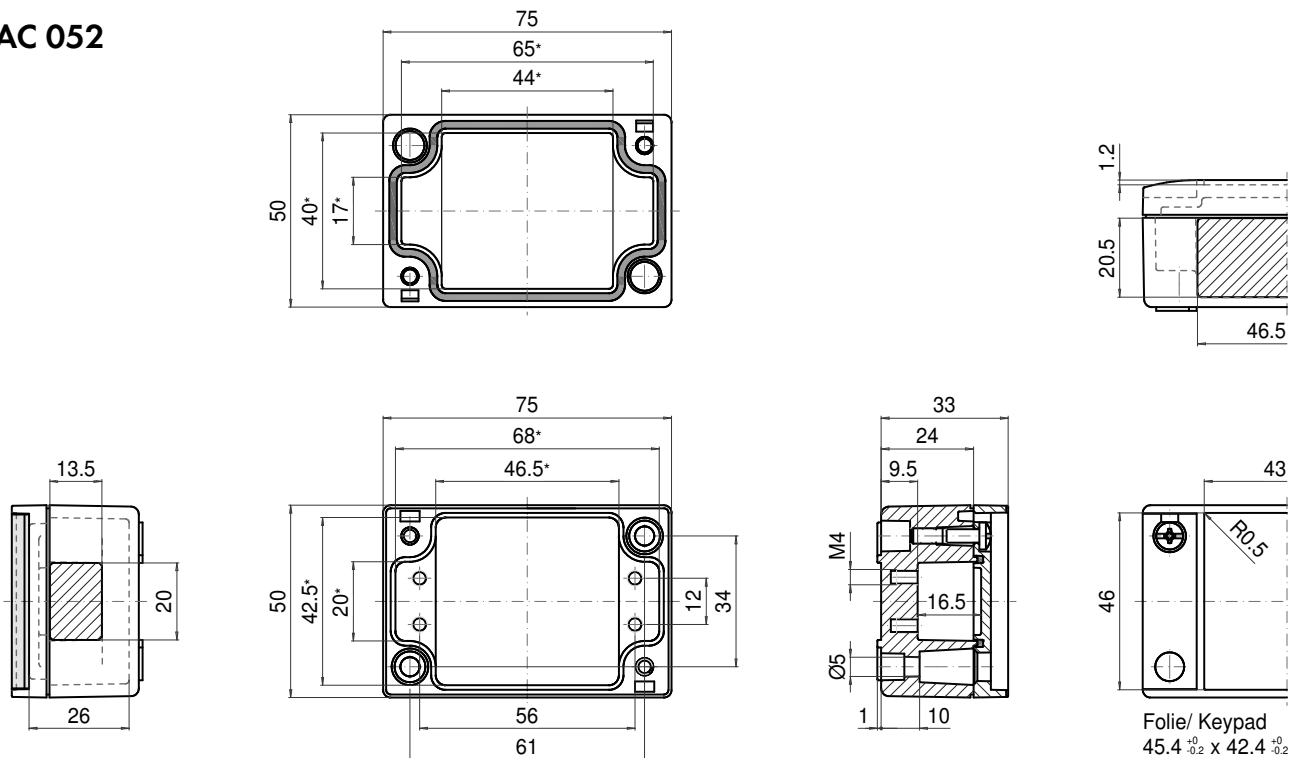
Approvals:



ROLEC Attachment and mounting dimensions

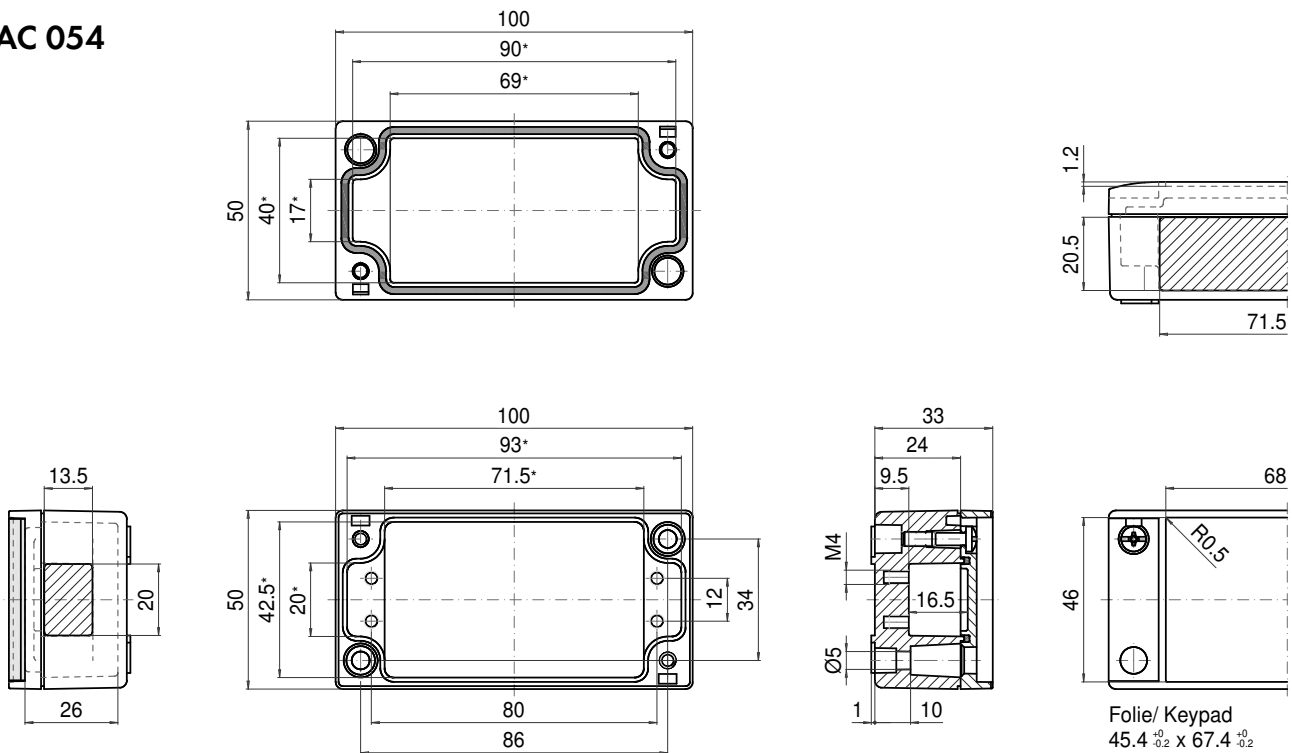
aluCASE

AC 052



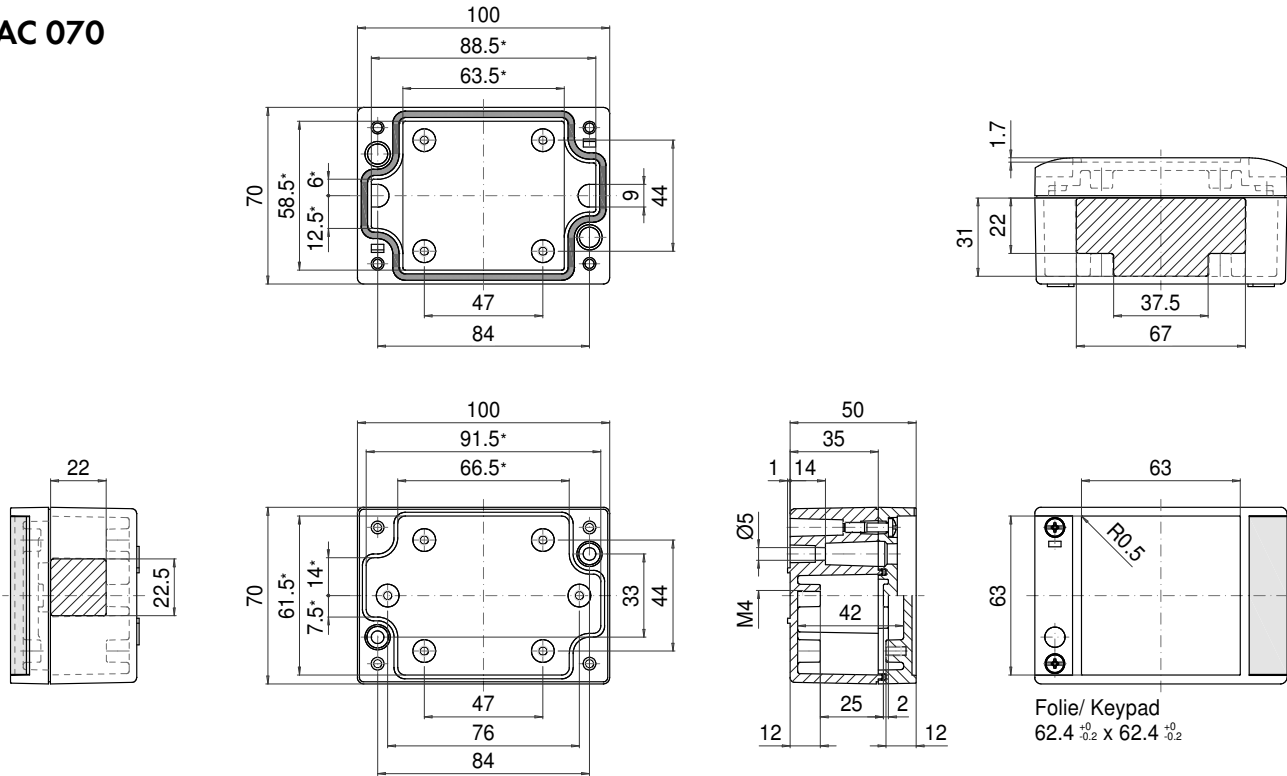
* Please note: Mould slope for casting ejection, dimensions in the amount of the bottom!

AC 054



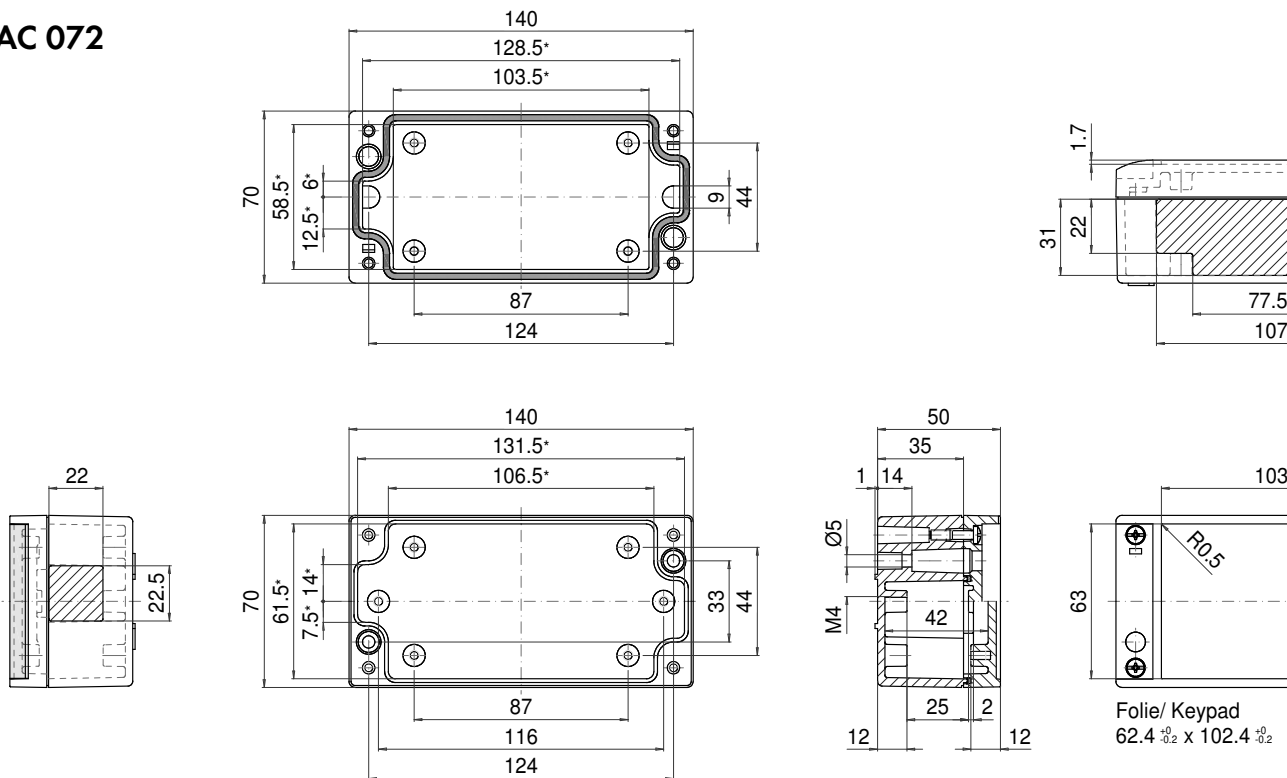
* Please note: Mould slope for casting ejection, dimensions in the amount of the bottom!

AC 070



* Please note: Mould slope for casting ejection, dimensions in the amount of the bottom!

AC 072

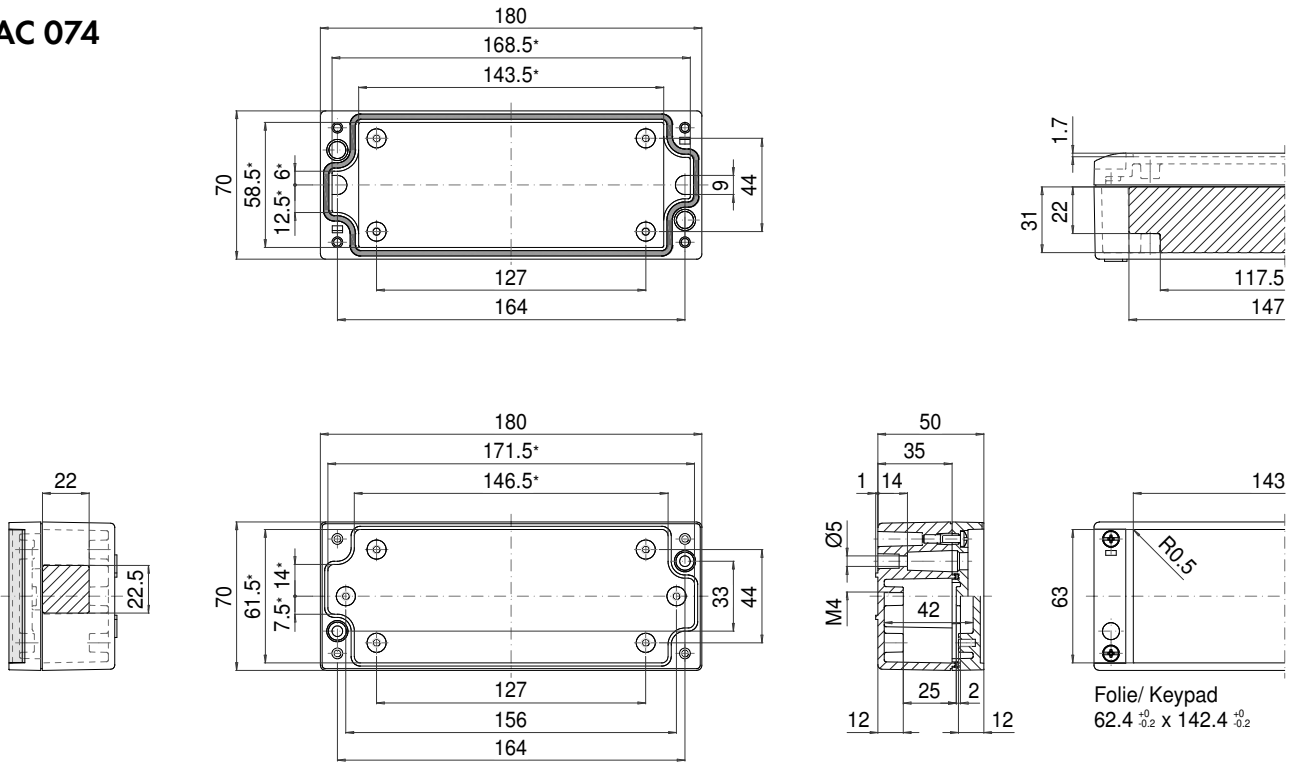


* Please note: Mould slope for casting ejection, dimensions in the amount of the bottom!

ROLEC Attachment and mounting dimensions

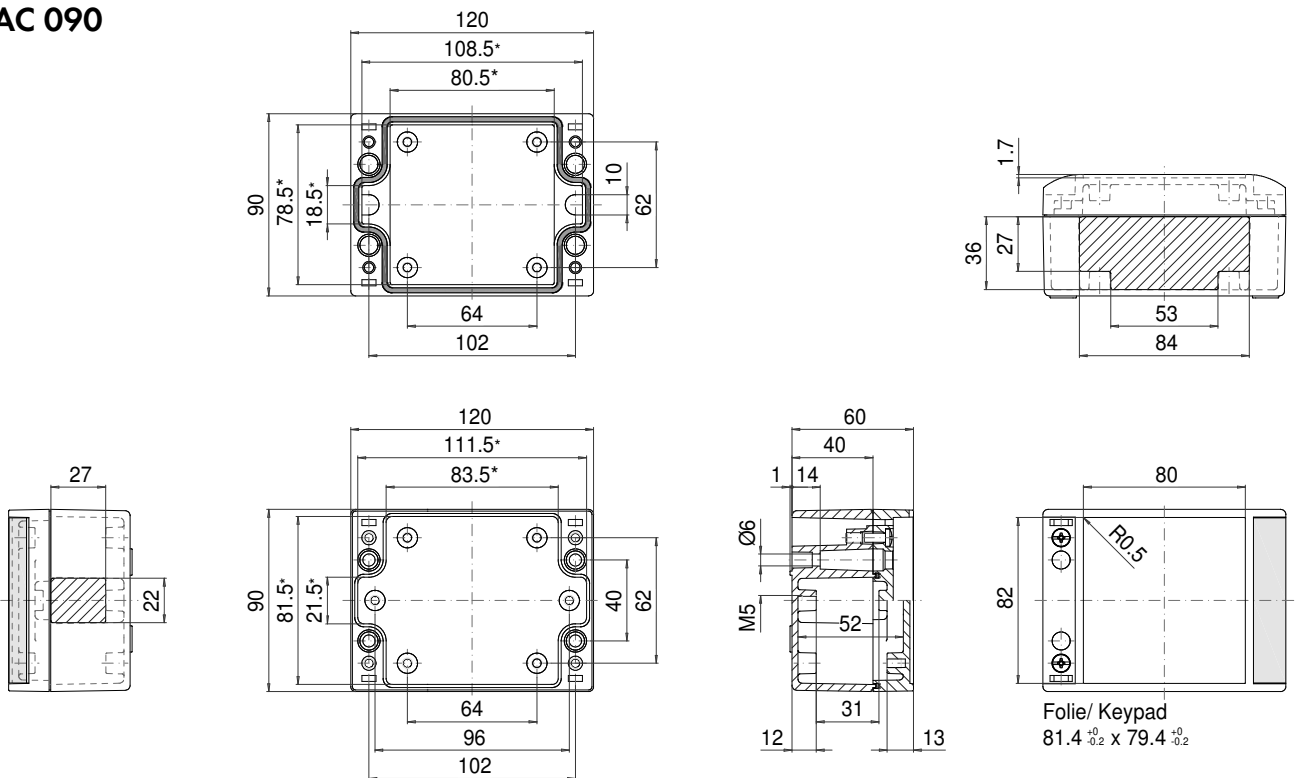
aluCASE

AC 074



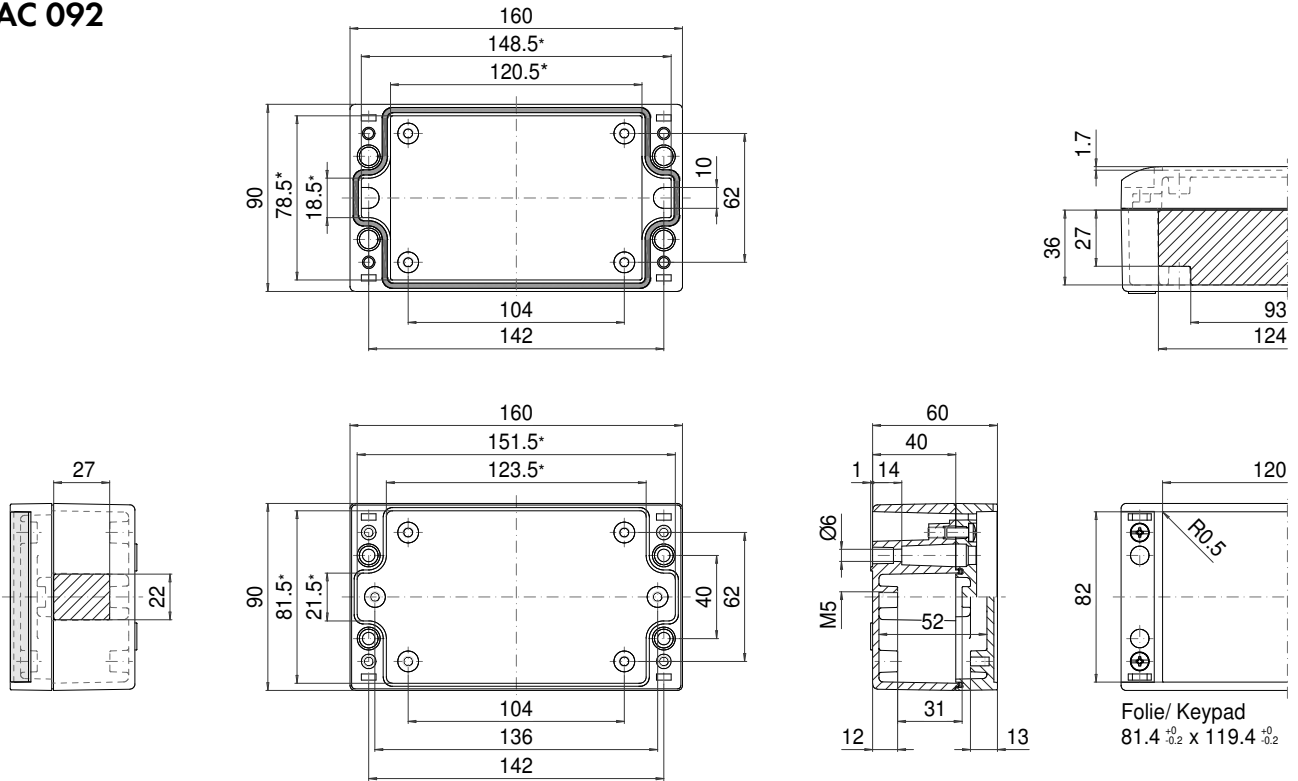
* Please note: Mould slope for casting ejection, dimensions in the amount of the bottom!

AC 090



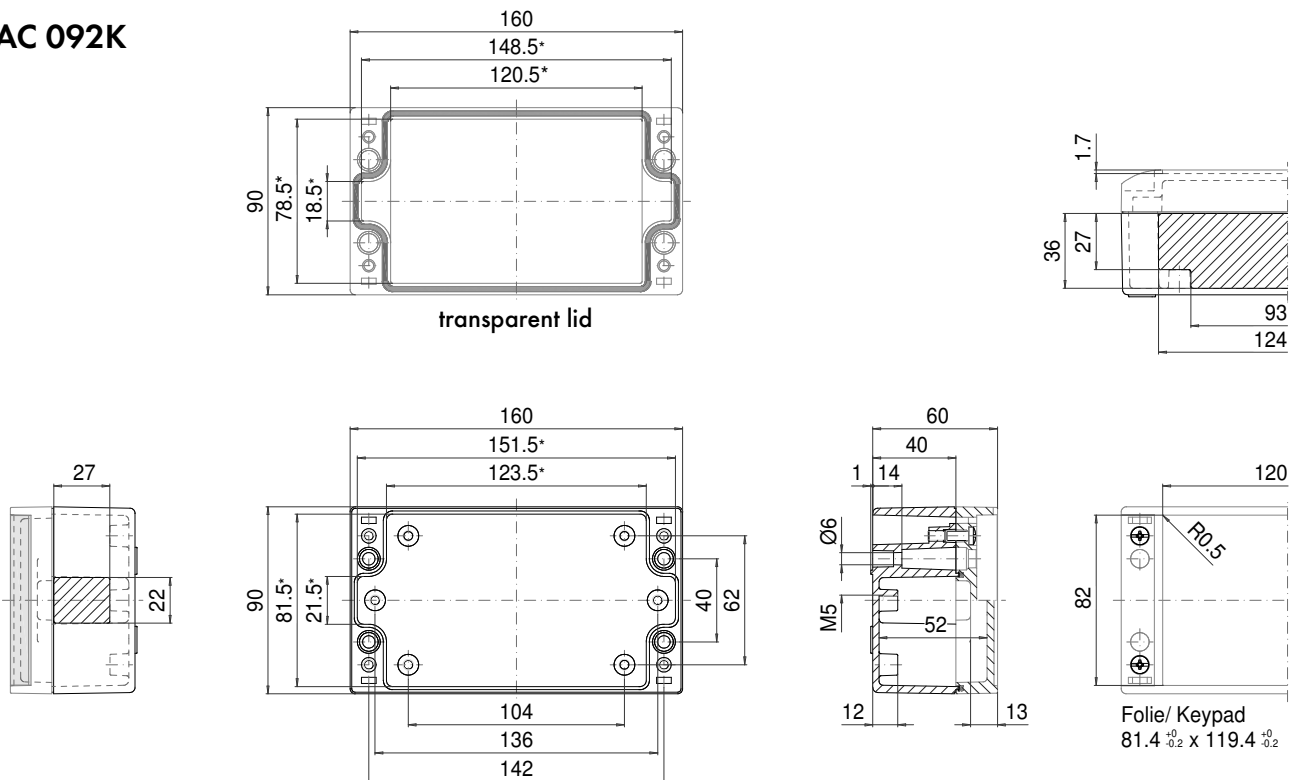
* Please note: Mould slope for casting ejection, dimensions in the amount of the bottom!

AC 092



* Please note: Mould slope for casting ejection, dimensions in the amount of the bottom!

AC 092K

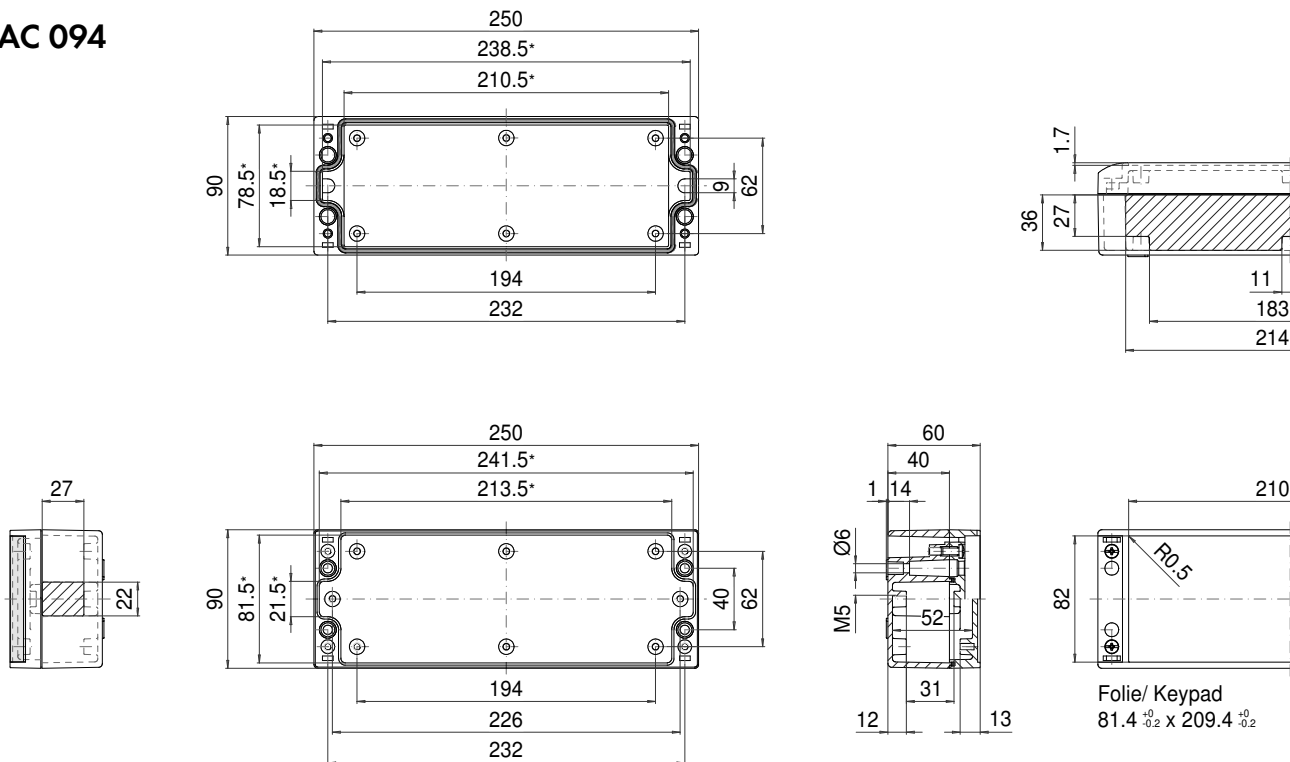


* Please note: Mould slope for casting ejection, dimensions in the amount of the bottom!

ROLEC Attachment and mounting dimensions

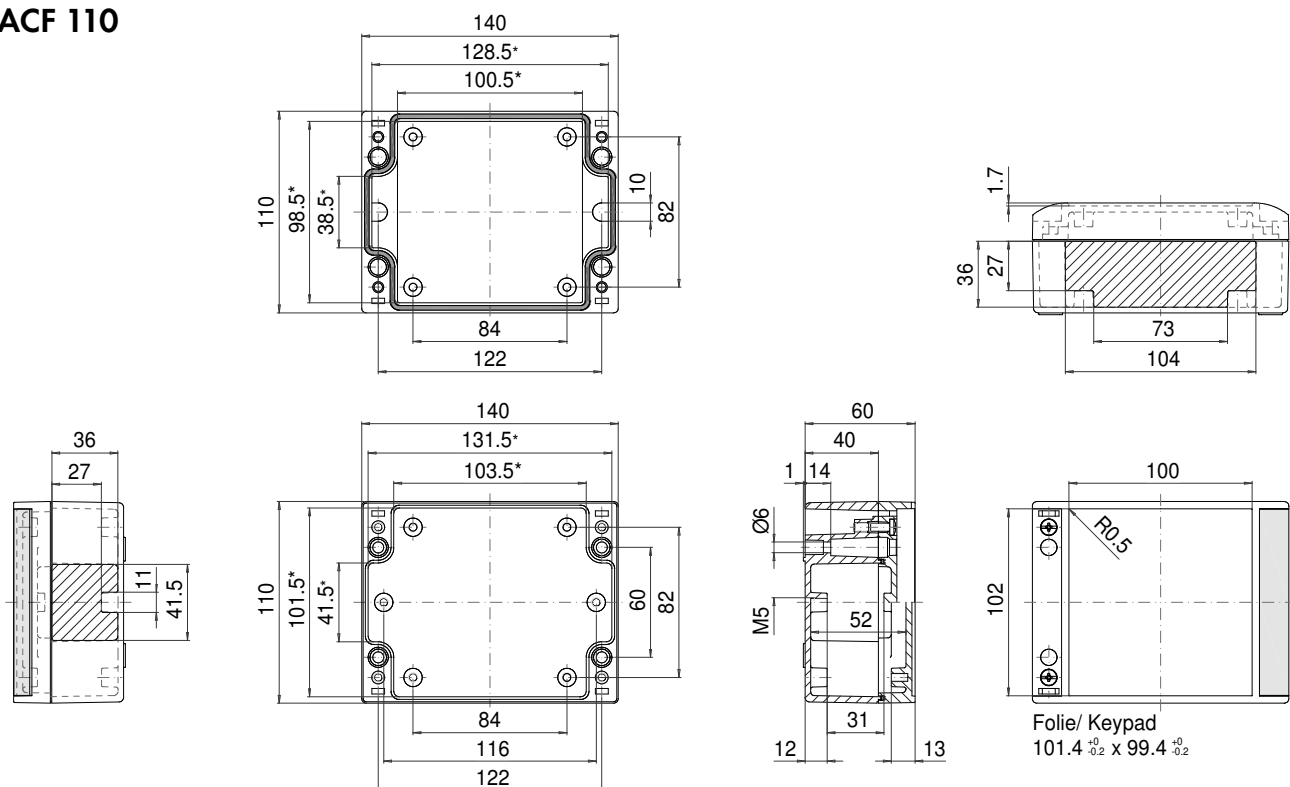
aluCASE

AC 094



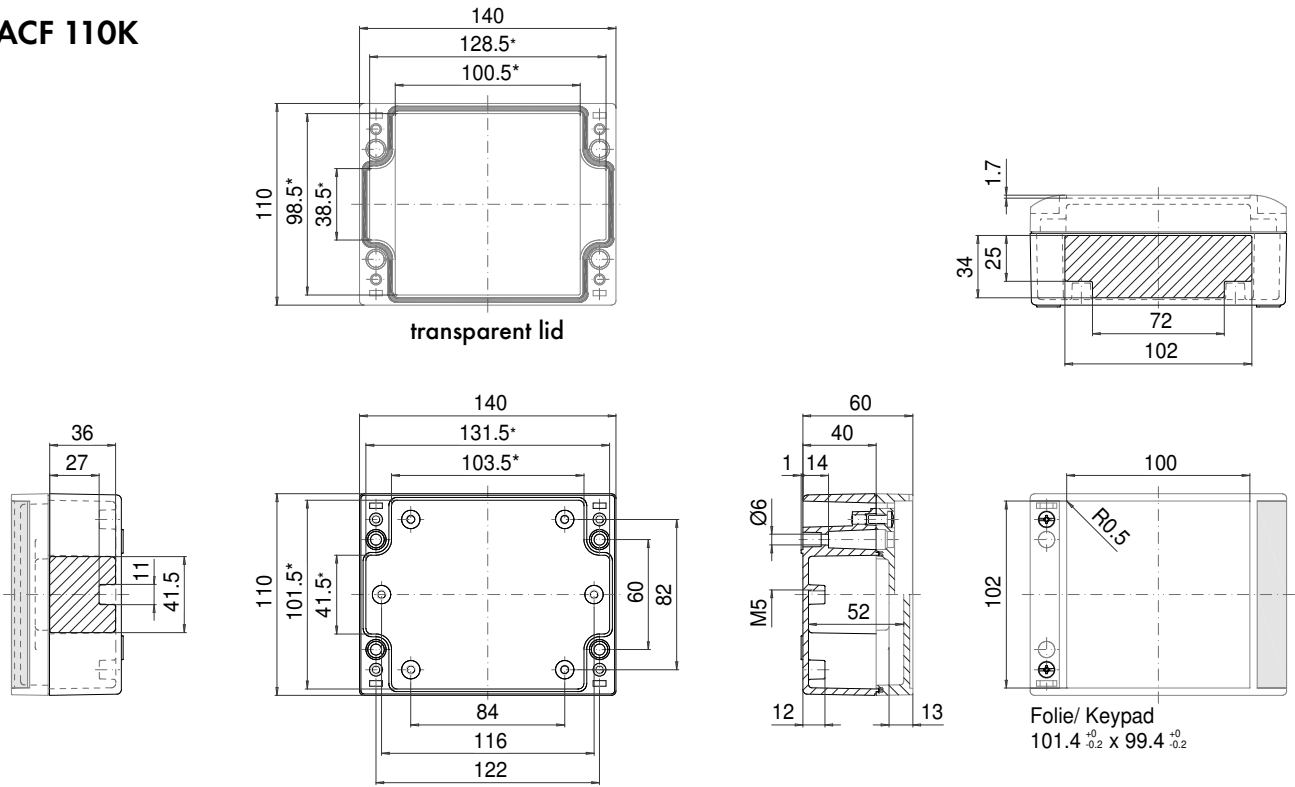
* Please note: Mould slope for casting ejection, dimensions in the amount of the bottom!

ACF 110



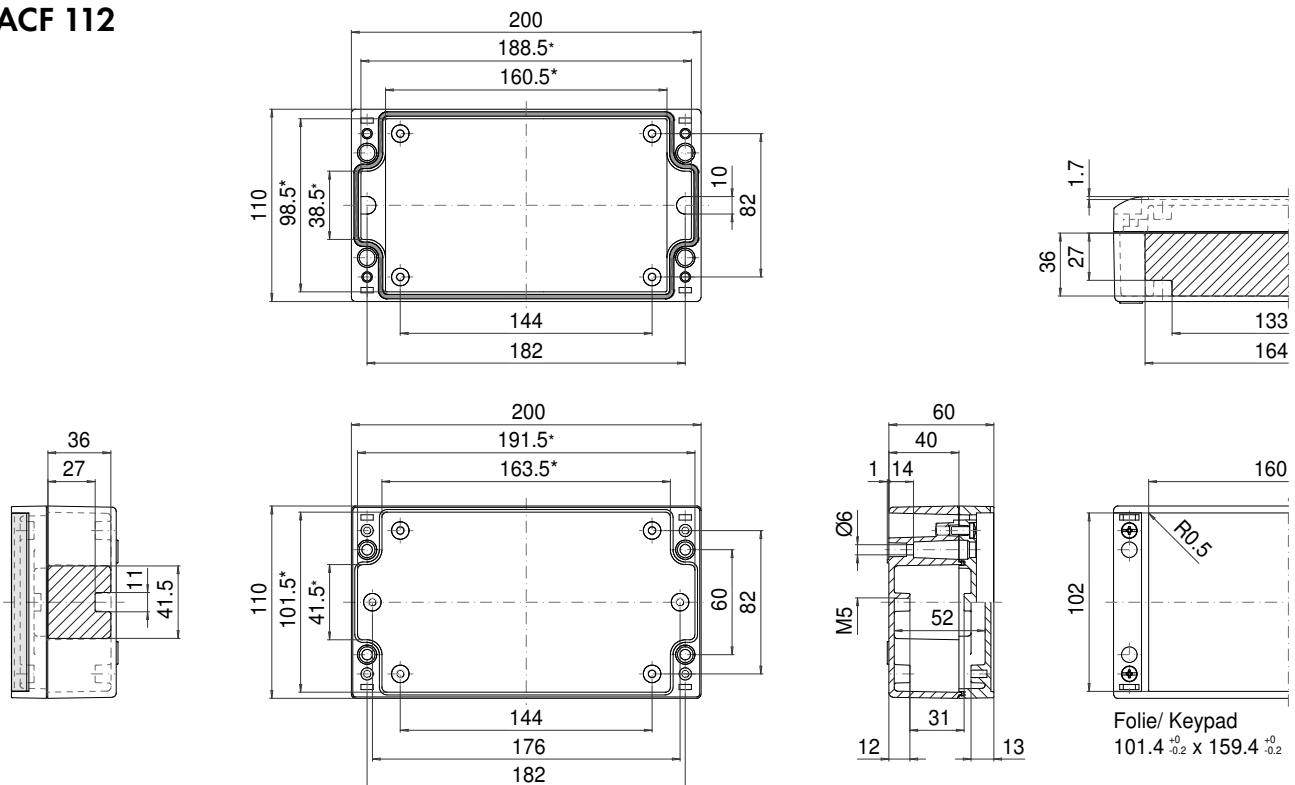
* Please note: Mould slope for casting ejection, dimensions in the amount of the bottom!

ACF 110K



* Please note: Mould slope for casting ejection, dimensions in the amount of the bottom!

ACF 112

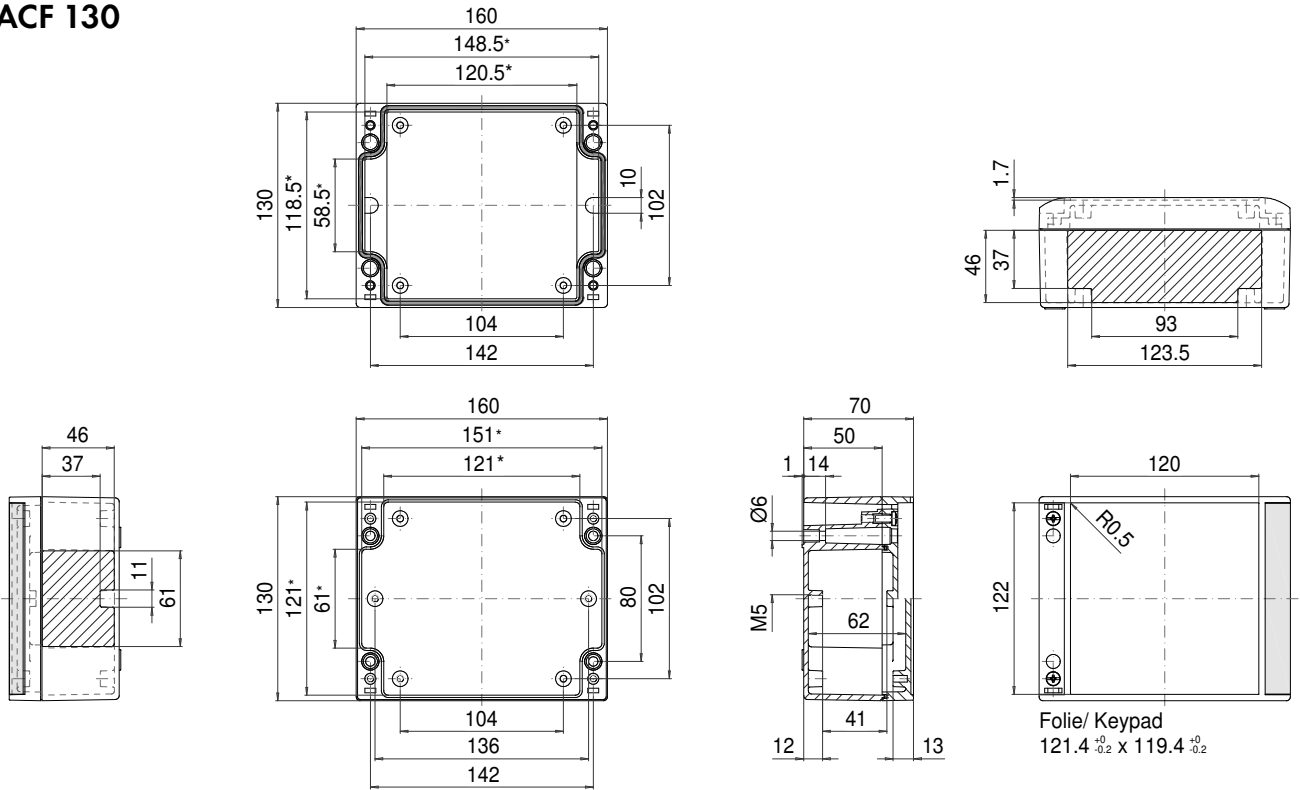


* Please note: Mould slope for casting ejection, dimensions in the amount of the bottom!

ROLEC Attachment and mounting dimensions

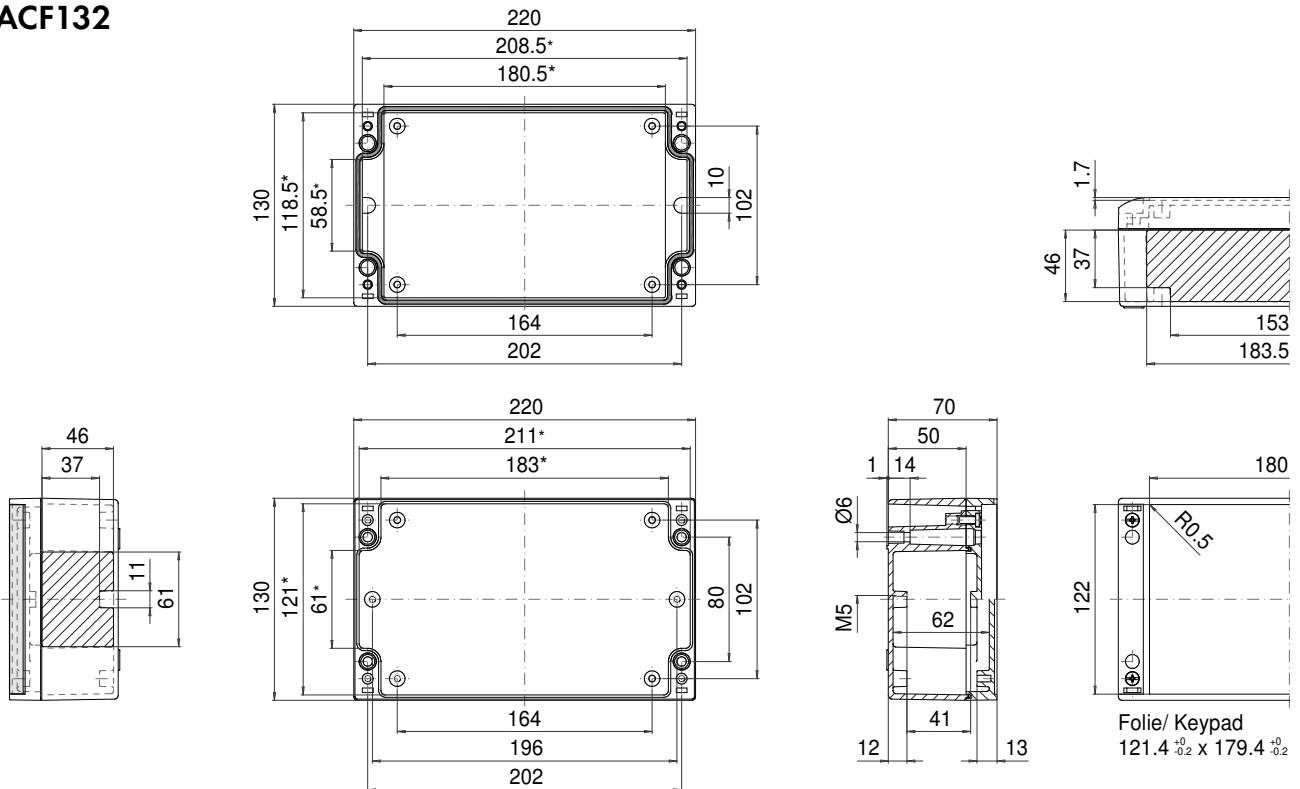
aluCASE

ACF 130



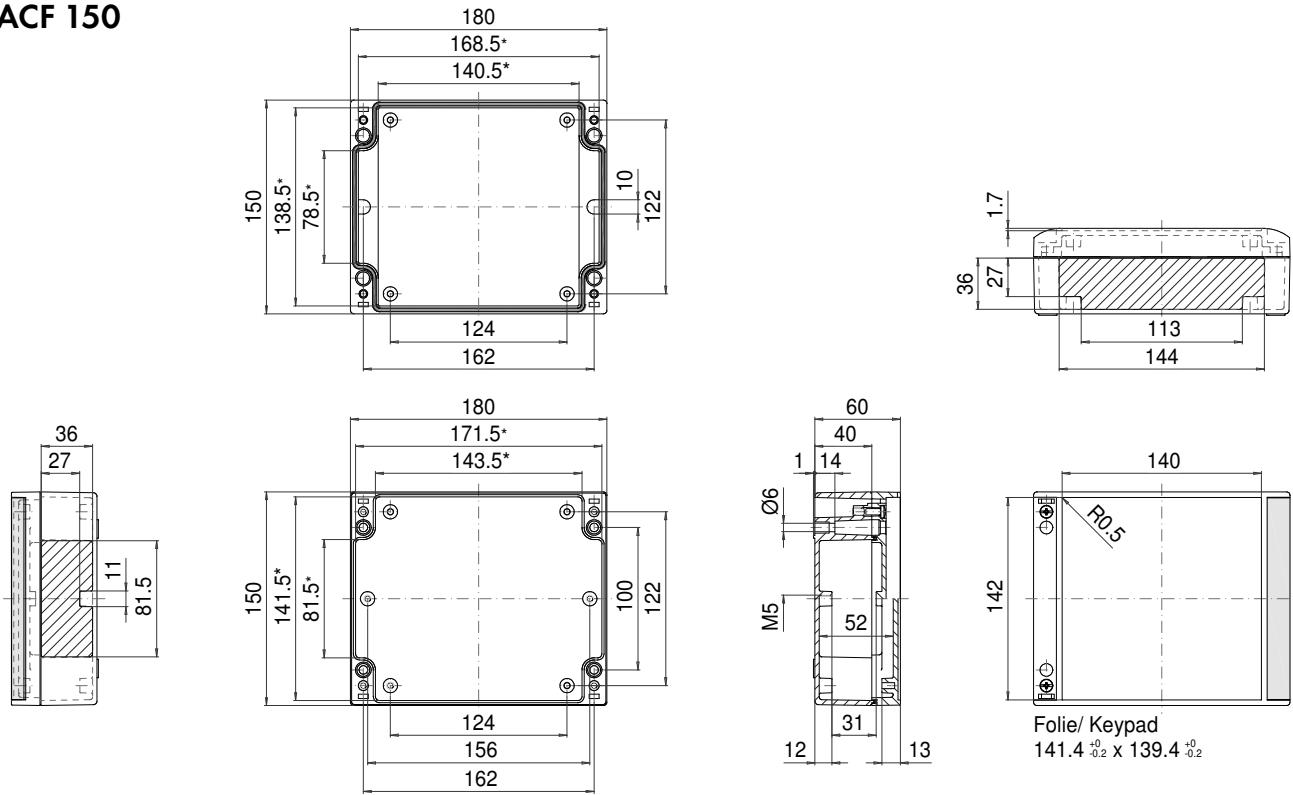
* Please note: Mould slope for casting ejection, dimensions in the amount of the bottom!

ACF132



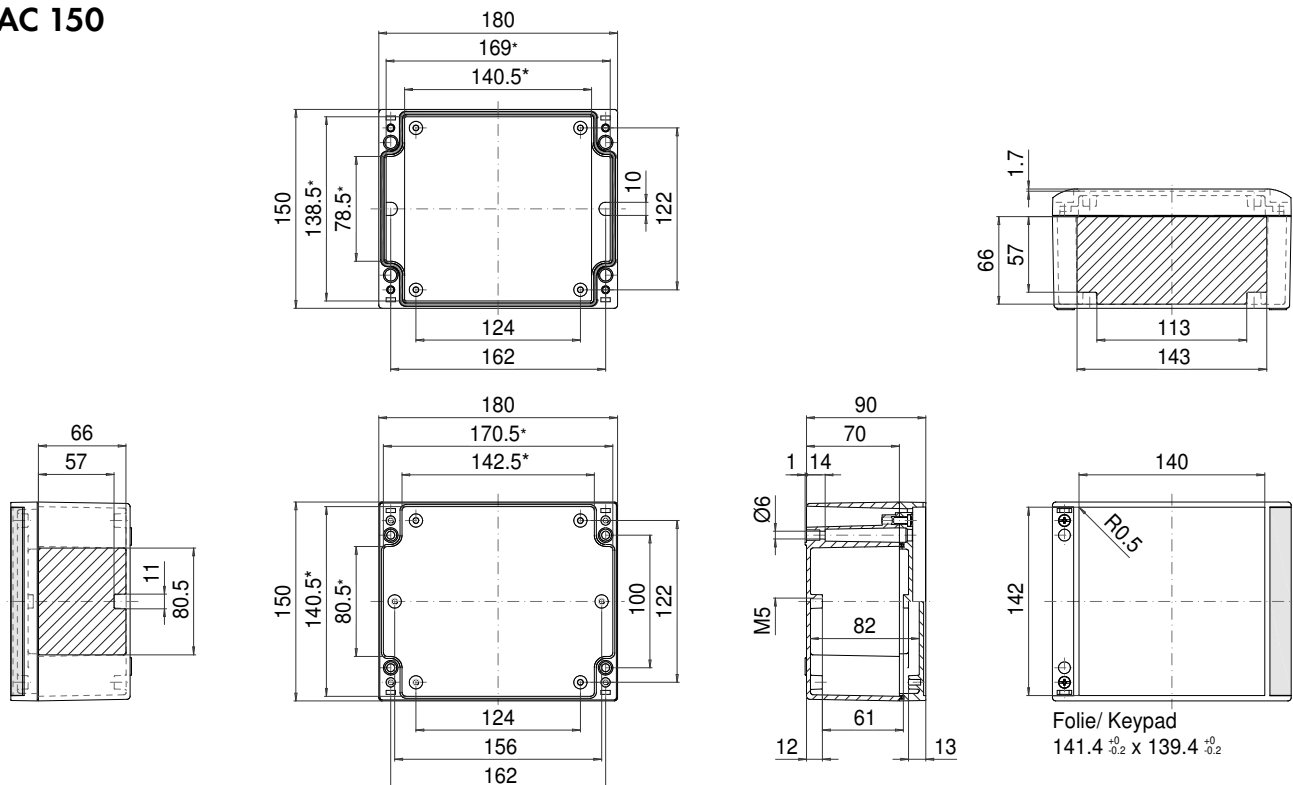
* Please note: Mould slope for casting ejection, dimensions in the amount of the bottom!

ACF 150



* Please note: Mould slope for casting ejection, dimensions in the amount of the bottom!

AC 150

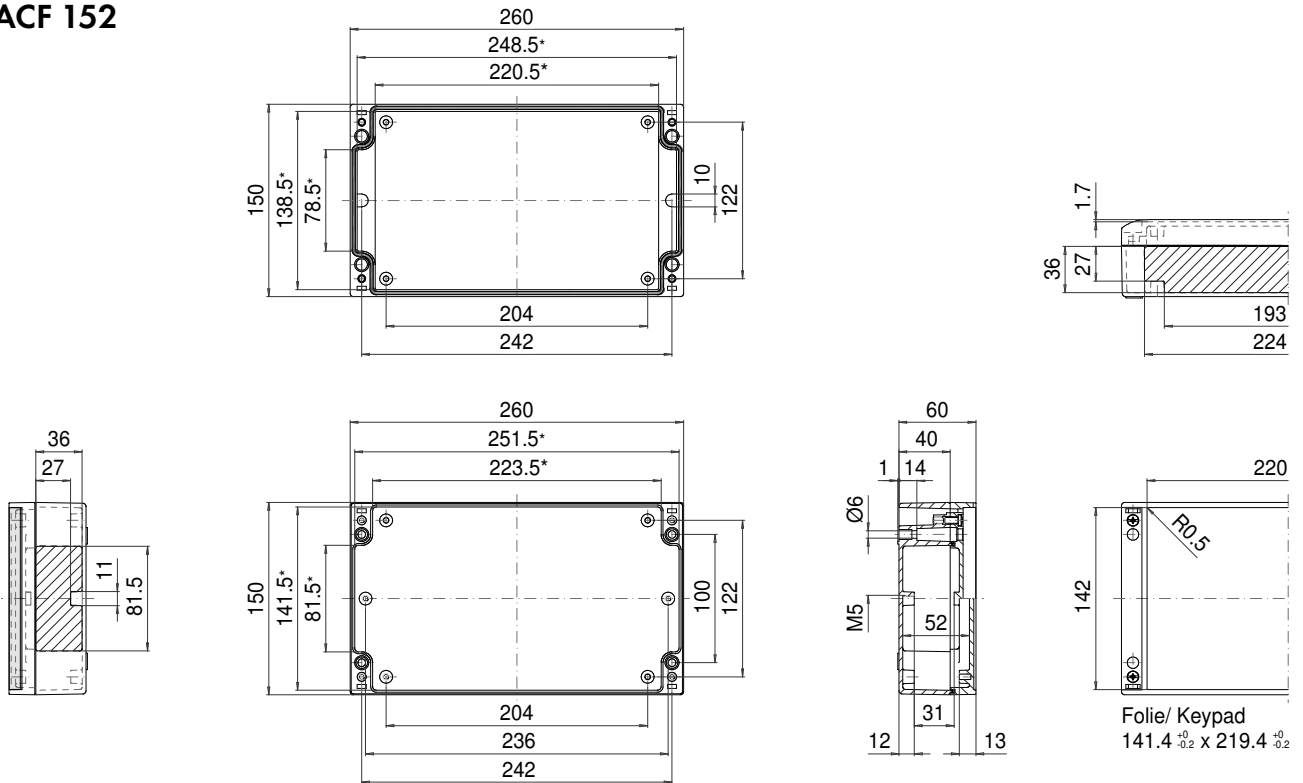


* Please note: Mould slope for casting ejection, dimensions in the amount of the bottom!

ROLEC Attachment and mounting dimensions

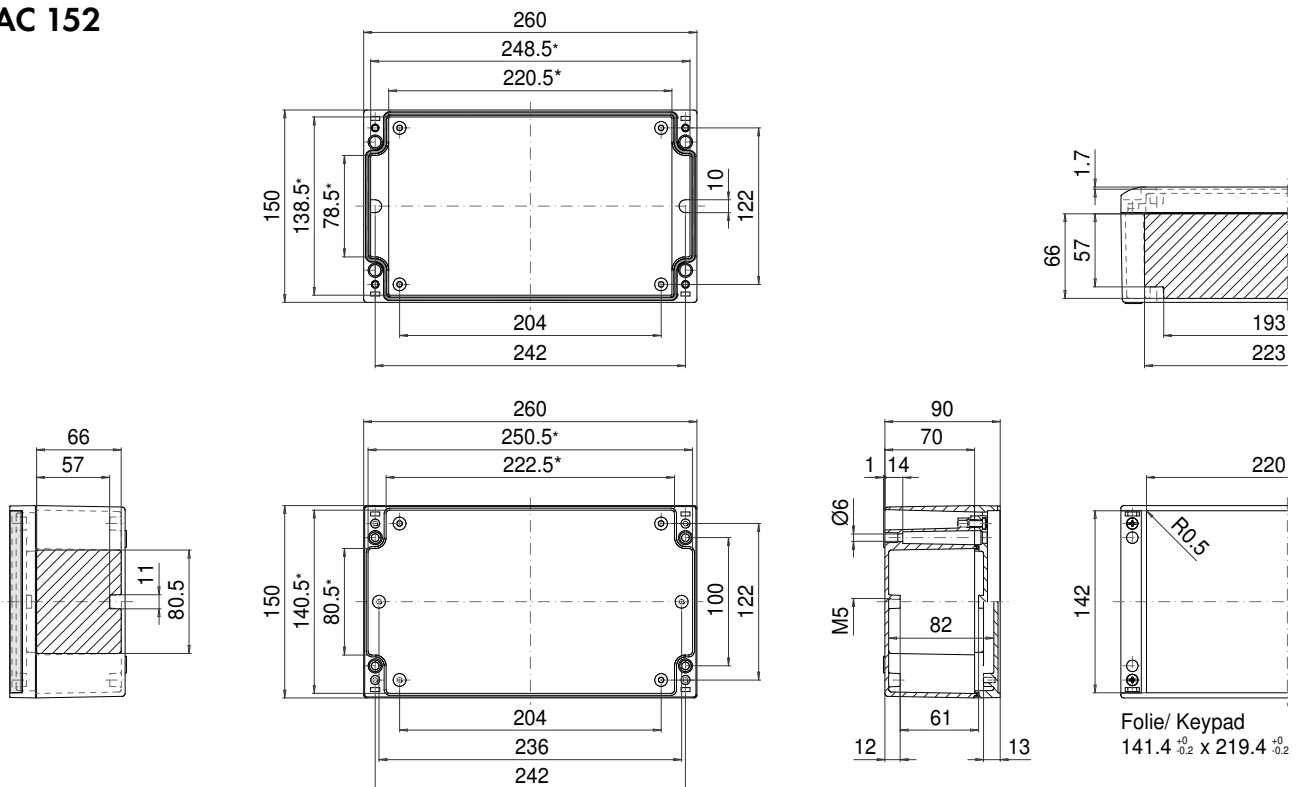
aluCASE

ACF 152



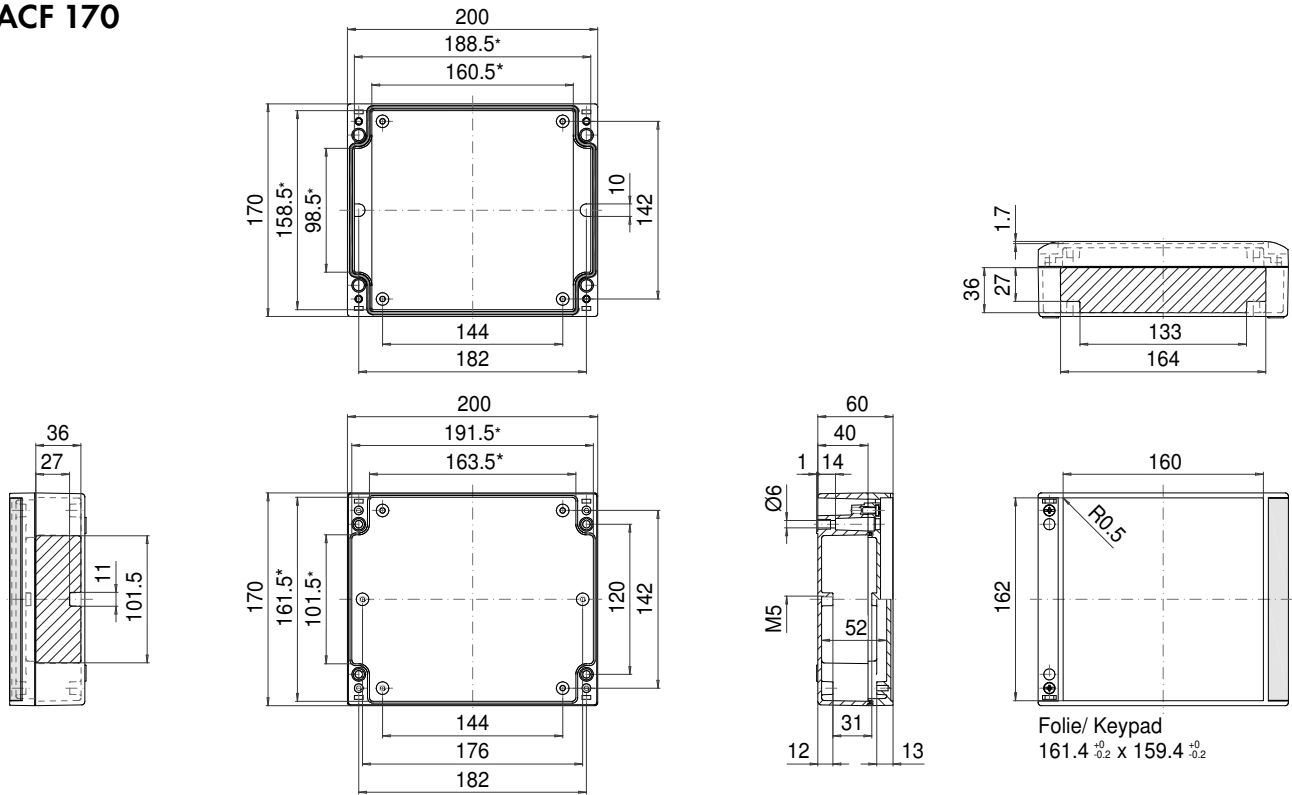
* Please note: Mould slope for casting ejection, dimensions in the amount of the bottom!

AC 152



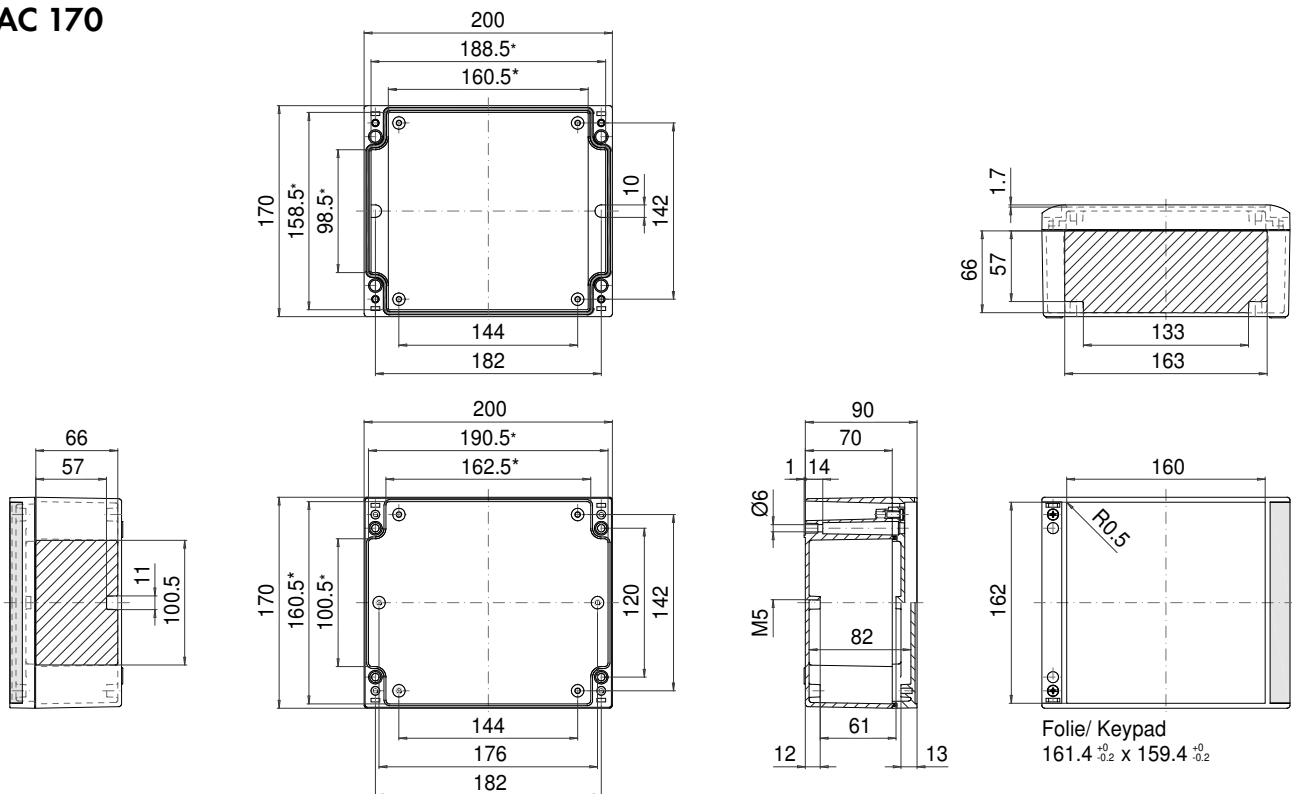
* Please note: Mould slope for casting ejection, dimensions in the amount of the bottom!

ACF 170



* Please note: Mould slope for casting ejection, dimensions in the amount of the bottom!

AC 170

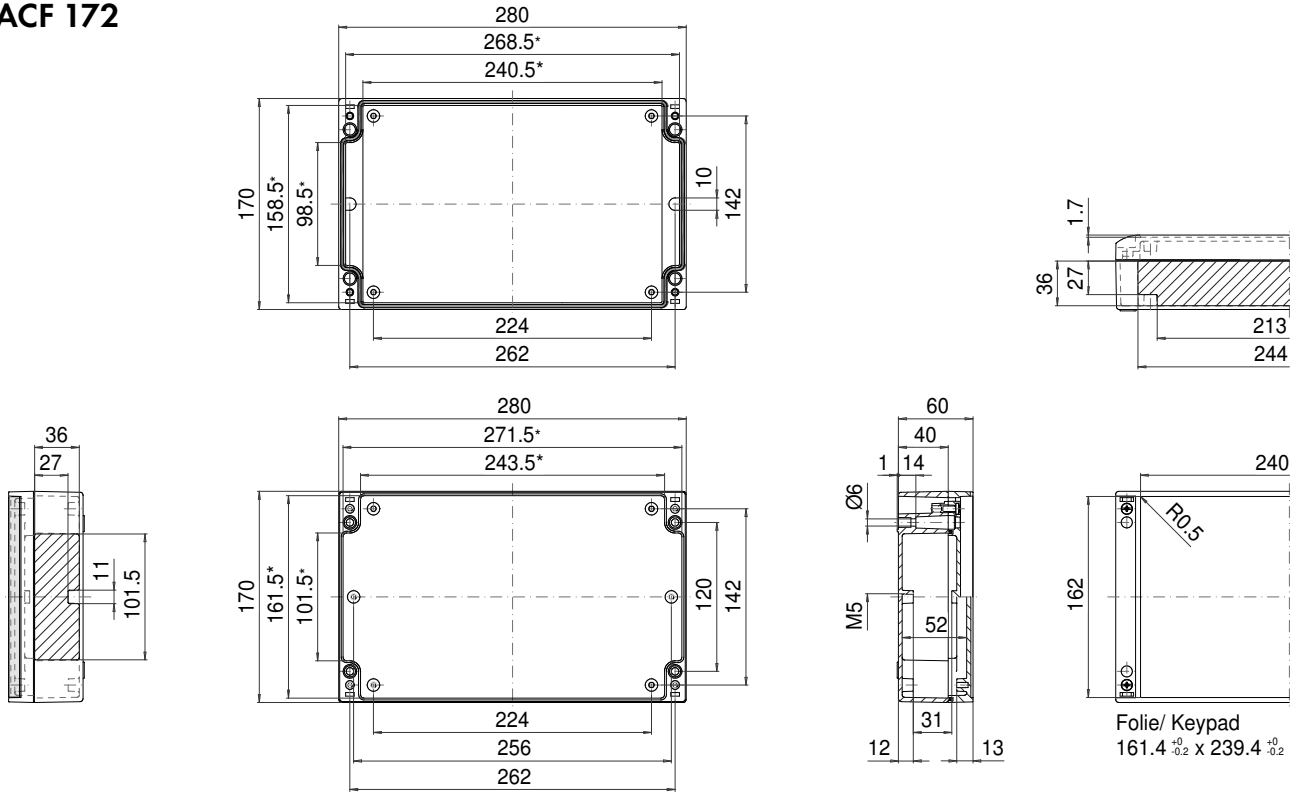


* Please note: Mould slope for casting ejection, dimensions in the amount of the bottom!

ROLEC Attachment and mounting dimensions

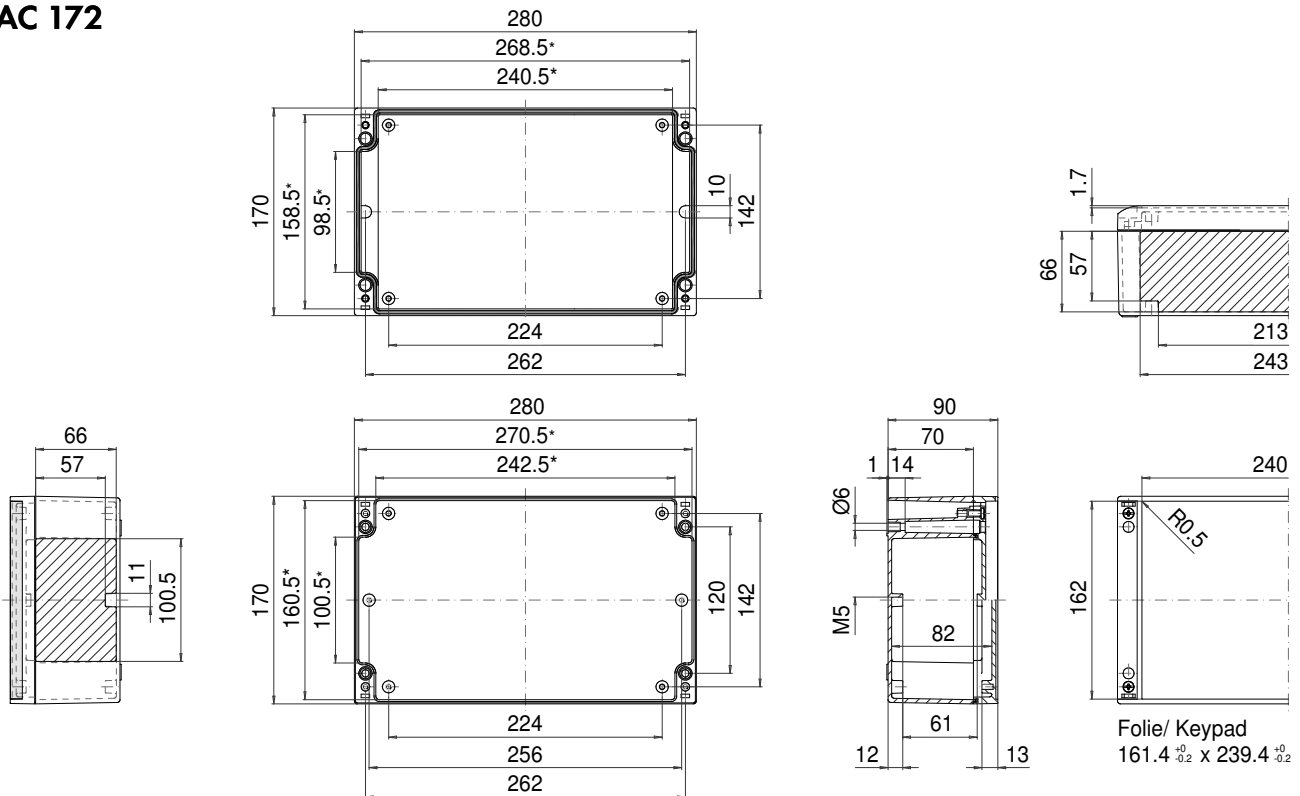
aluCASE

ACF 172



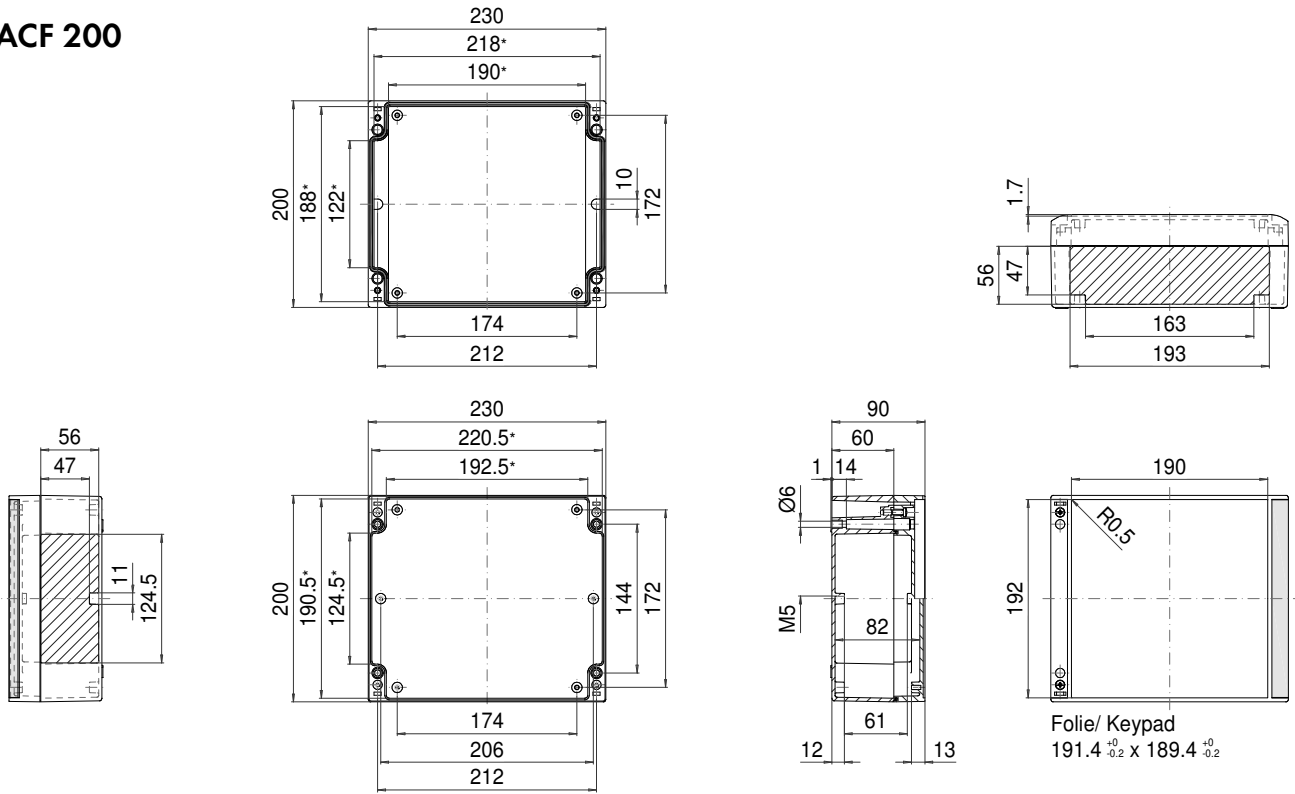
* Please note: Mould slope for casting ejection, dimensions in the amount of the bottom!

AC 172



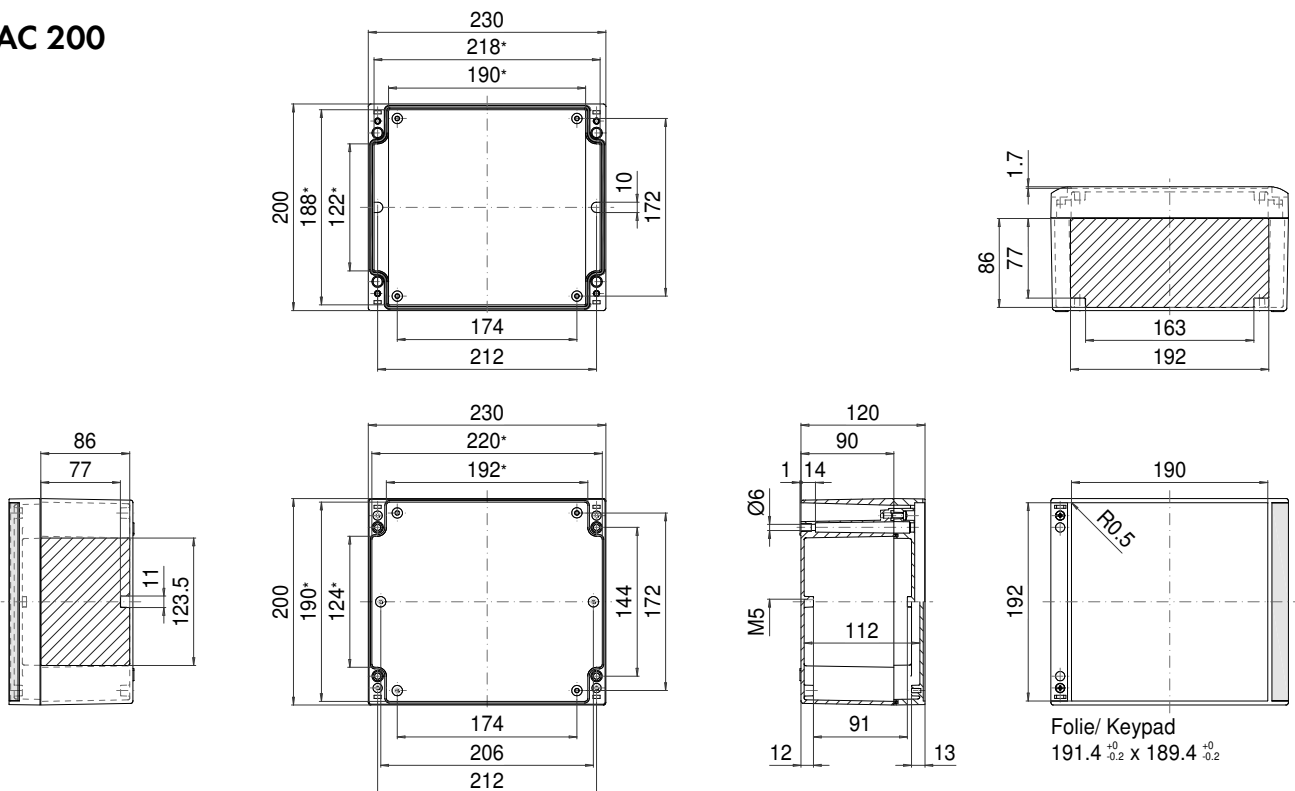
* Please note: Mould slope for casting ejection, dimensions in the amount of the bottom!

ACF 200



* Please note: Mould slope for casting ejection, dimensions in the amount of the bottom!

AC 200

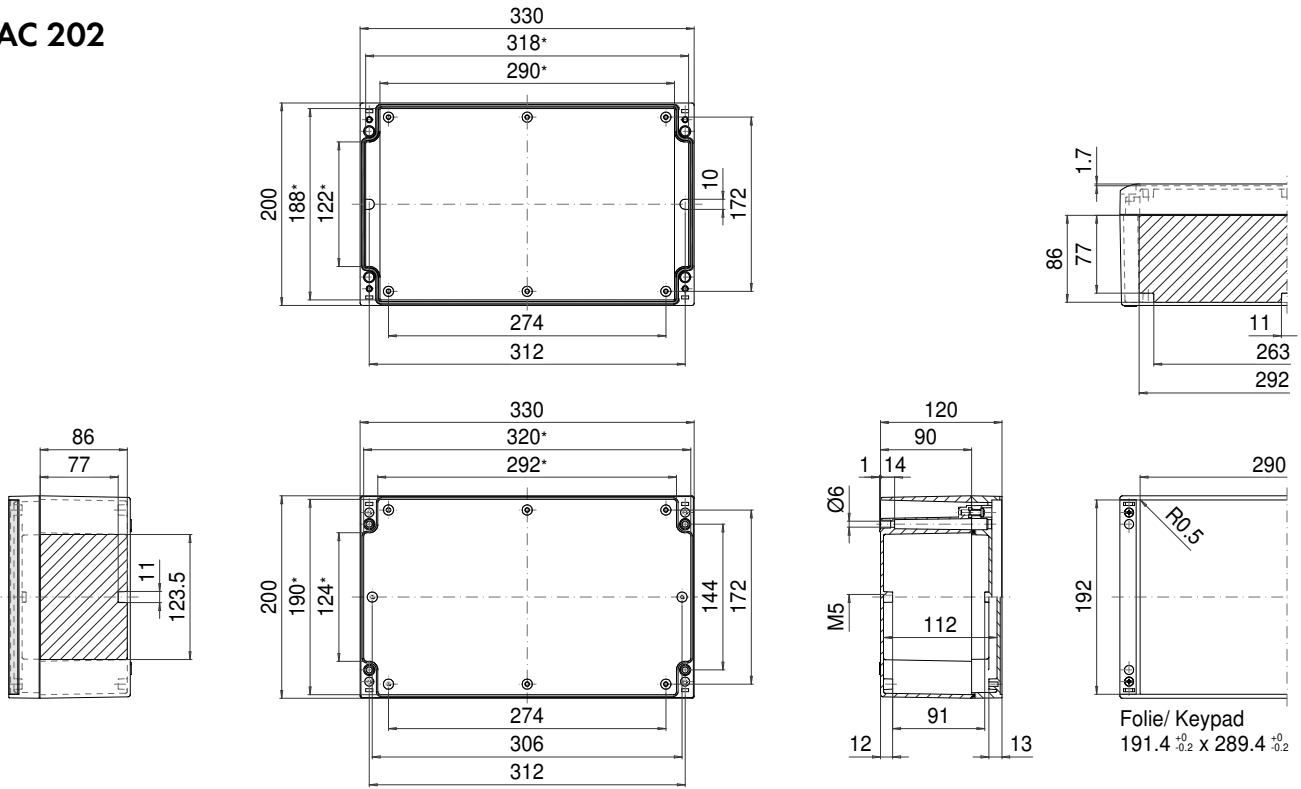


* Please note: Mould slope for casting ejection, dimensions in the amount of the bottom!

ROLEC Attachment and mounting dimensions

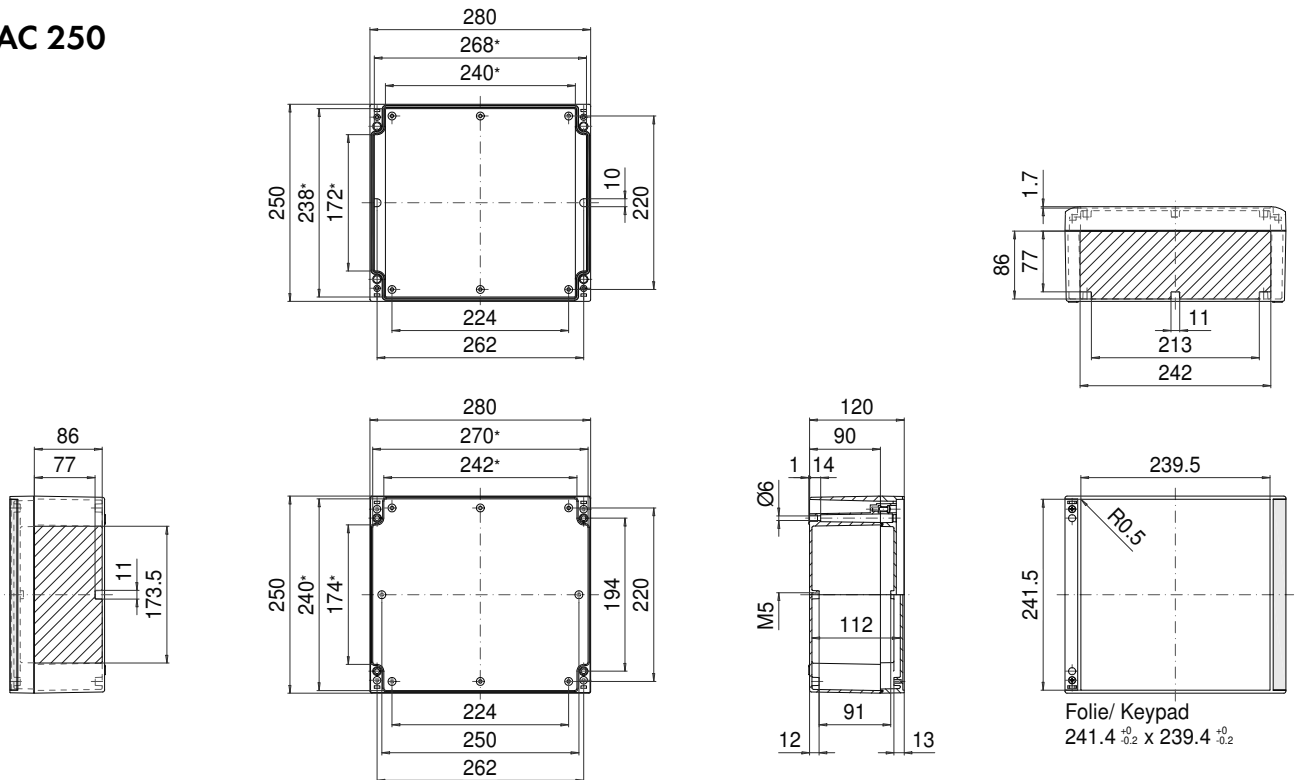
aluCASE

AC 202



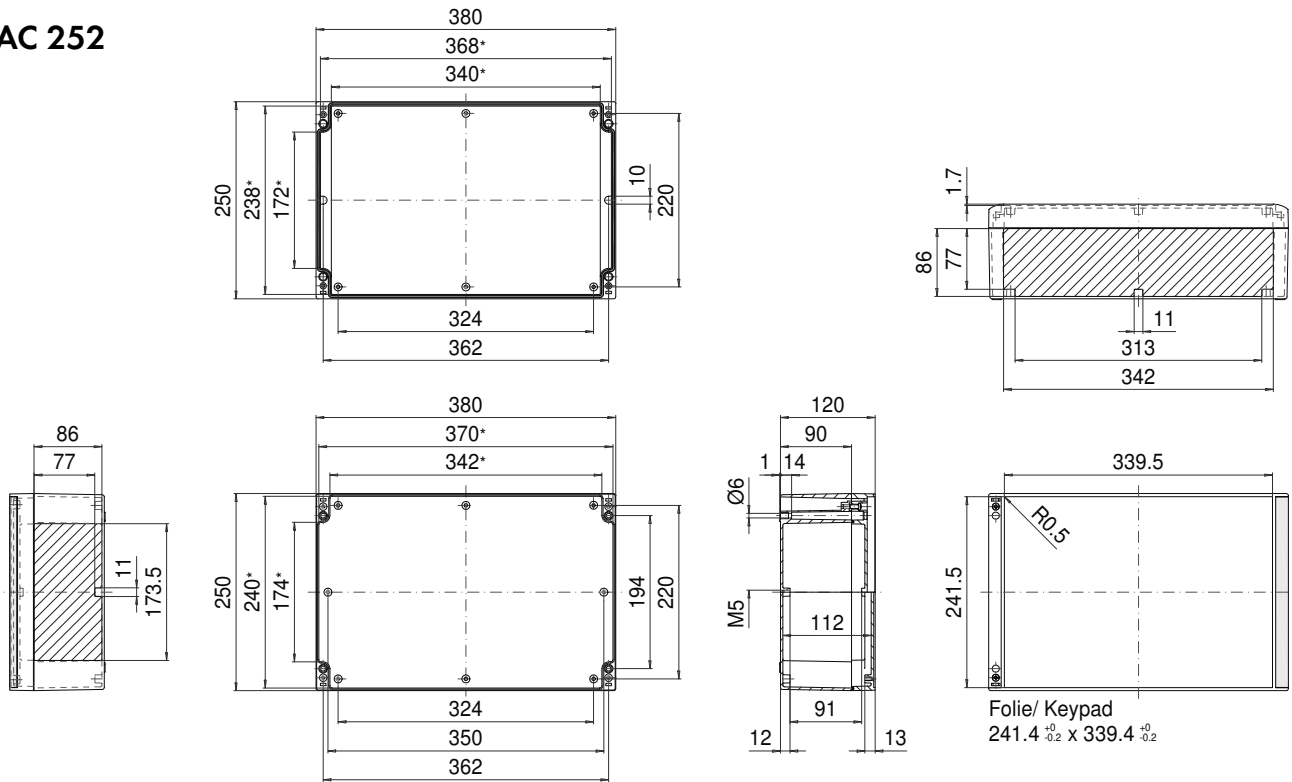
* Please note: Mould slope for casting ejection, dimensions in the amount of the bottom!

AC 250



* Please note: Mould slope for casting ejection, dimensions in the amount of the bottom!

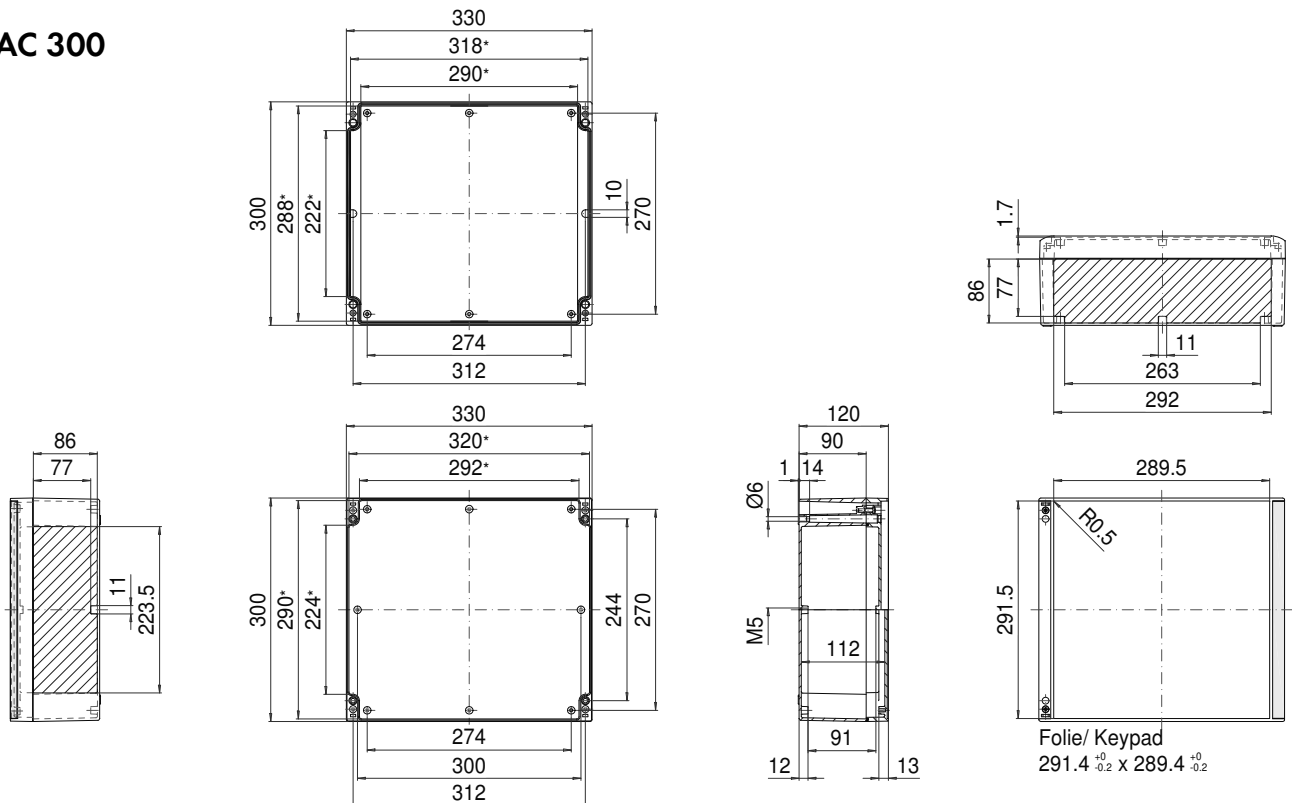
AC 252



Folie/ Keypad
241.4⁺⁰_{-0.2} x 339.4⁺⁰_{-0.2}

* Please note: Mould slope for casting ejection, dimensions in the amount of the bottom!

AC 300



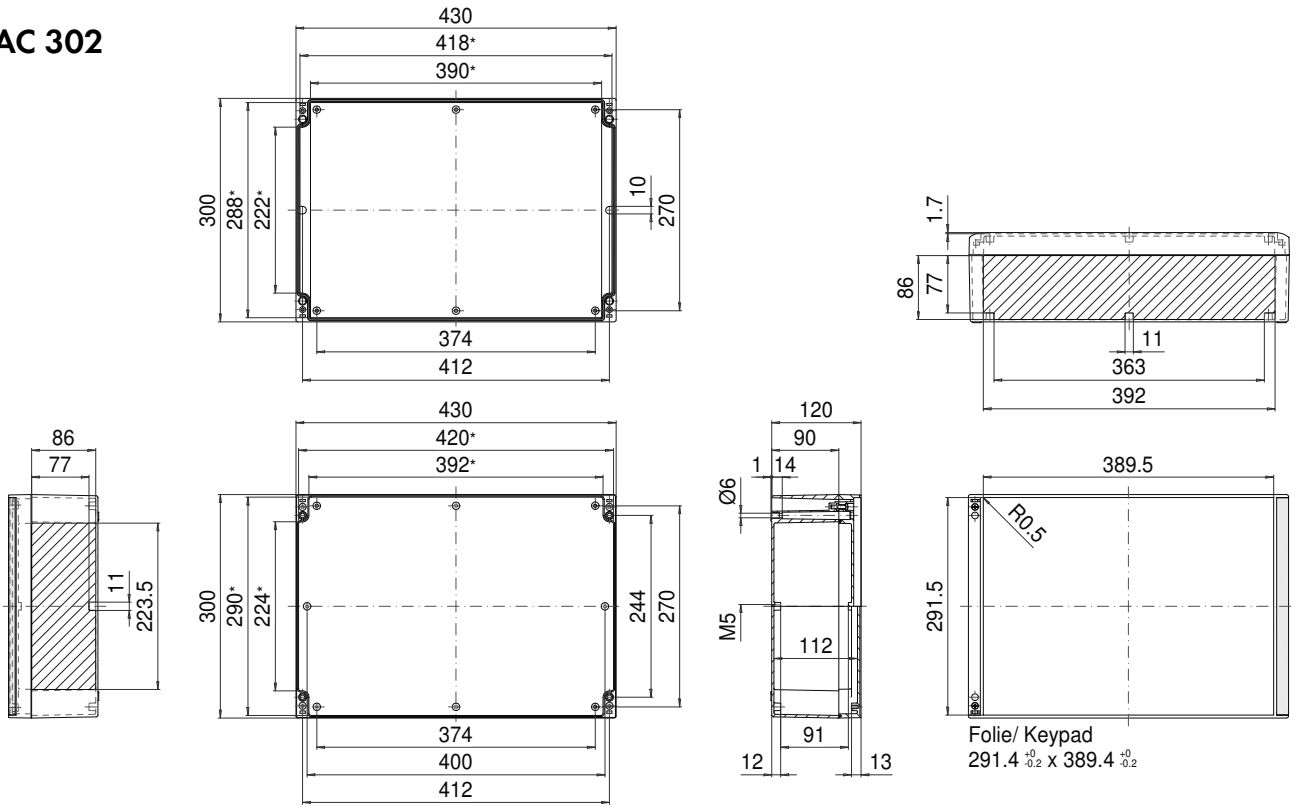
Folie/ Keypad
291.4⁺⁰_{-0.2} x 289.4⁺⁰_{-0.2}

* Please note: Mould slope for casting ejection, dimensions in the amount of the bottom!

ROLEC Attachment and mounting dimensions

aluCASE

AC 302



* Please note: Mould slope for casting ejection, dimensions in the amount of the bottom!