

# IF series

Sealed pushbutton switches with Ø 25 mm actuator - bushing dia. 16 mm

- Can be operated with gloved hands
- Snap-in and threaded bushing models
- Resistant to frost
- Sealed to IP54 or IP67

UG1006-A

## ELECTRICAL AND GENERAL SPECIFICATIONS

- Max. current/voltage rating with resistive load : 400mA 32VAC - 100mA 50VDC
- Initial contact resistance : 50 mΩ max.
- Insulation resistance : 1 GΩ min. at 500VDC
- Dielectric strength : 1.000 VAC rms. between terminals and frame  
1500 VAC between terminals
- Electrical life at full load : 500.000 cycles
- Panel thickness :
  - Snap-in models : 0,8 mm (.031) min. - 2,5 mm (.098) max.
  - Threaded bushing models : 0,8 mm (.031) min. - 5 mm (.196) max.
- Total travel : 4 mm (.157)
- Typical operating force : 6,5 N +/- 2N
- Mechanical life : 1.000.000 cycles
- Torque : 1,5 Nm max. applied to nut
- Soldering : 320°C max. for 3 seconds

## MATERIALS

- Case : thermoplastic UL94-V0
- Actuator : polyamide 12, rubber filled
- Bushing/bezel : polyamide 6/6
- Contacts : solid silver, gold plated
- Terminal seal : epoxy

## ENVIRONMENTAL SPECIFICATIONS

- Front panel sealing (switches mounted on panel) :
  - . IP67 (threaded bushing models)
  - . IP54 (snap-in models)
- Operating temperature : -20°C to +85°C

IF

SERIES

Mounting

- B** Snap-in
- S** Threaded bushing

Electrical function

- 3** Normally open (NO)

Terminals

- Z1** Quick-connect or solder  
2,8 x 0,5 mm

Contacts

- AD** Solid silver, gold plated

Actuator colour

- |                      |                  |
|----------------------|------------------|
| <b>1</b> Blue        | <b>5</b> Yellow  |
| <b>1/4</b> Dark blue | <b>6</b> Red     |
| <b>2</b> Black       | <b>7/1</b> White |
| <b>3</b> Green       | <b>9</b> Orange  |
- Grey RAL7040 : on request

Case colour

- 00** Black
- 20** Red

## Models



Snap-in  
**IFB3Z1AD**



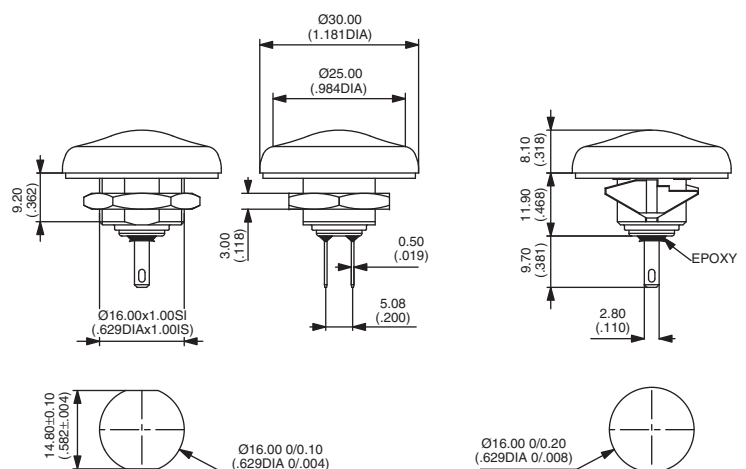
NO



Threaded bushing  
**IFS3Z1AD**



NO



**Mounting accessories** : Standard hardware supplied : 1 flat seal (IFB series)  
1 flat seal and 1 hex nut 19 mm (.748) across flats (IFS series) . The hex nut is presented in section I (part number 10-621).

**Packaging unit** : 20 pieces