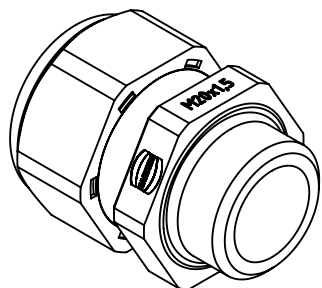
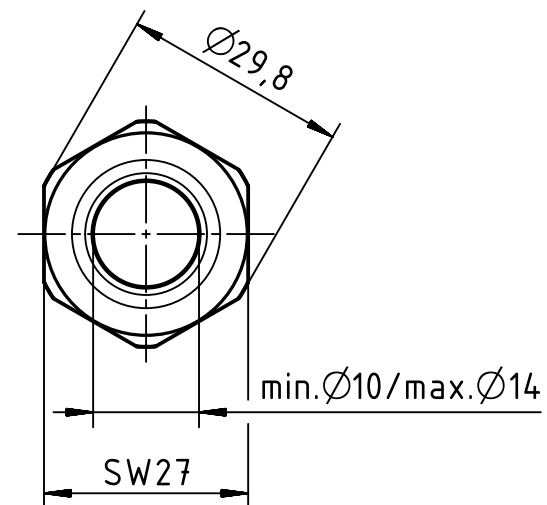
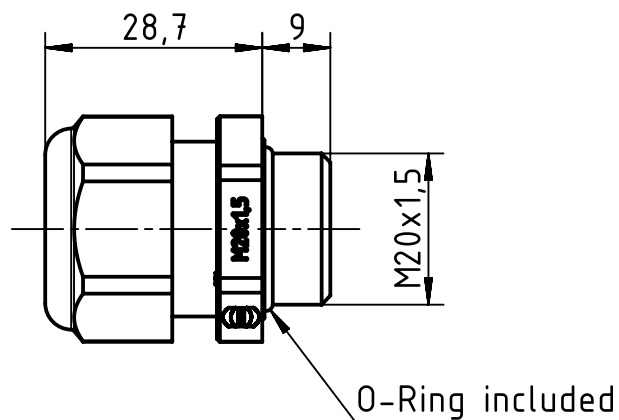


A

B

C

D



	All Dimensions in mm Original Size DIN A4		Scale 1:1	Free size tol.		Ref.		
						Sub.		
	All rights reserved		Created by LONGL	Inspected by DINGB	Standardisation TIEMANNA	Date 2016-03-04	State Final Release	
	Department EL PD - DE		Title Han CGM-P M20x1,5 D.10-14mm grey				Doc-Key / ECM-Nr. 100086054 / UGD/005/B 500000100783	
HARTING Electric GmbH & Co. KG D-32339 Espelkamp			Type TB	Number 19 00 000 5184			Rev. B	Page 1/1