

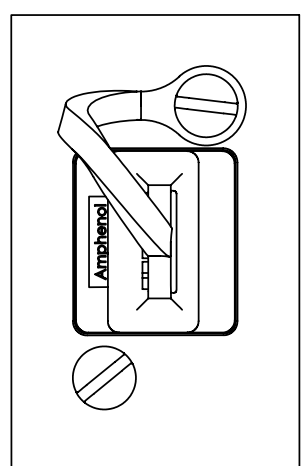
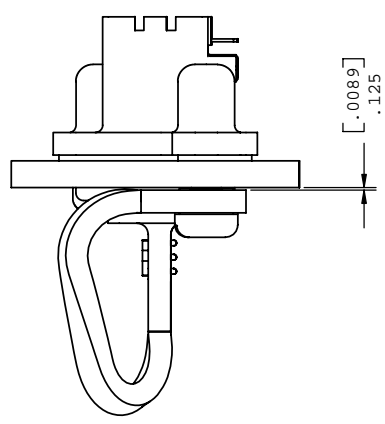
TABLE 1

PART NUMBER FOR ORDER	COLOR
MUSB-2A111-014-BP	GREY
MUSB-2A111-024-BP	BLACK

NOTES:

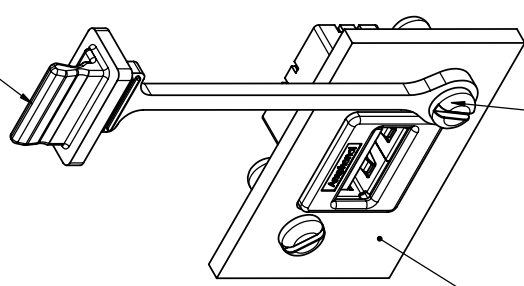
- MATERIAL:
- DUST COVER - SILICONE RUBBER, COLOR - SEE TABLE 1.
- BUSHING - BRASS, NICKEL PLATED.
- OPERATING TEMPERATURE: -40°C TO +105°C.
- PART IS ROHS COMPLIANT PER EU DIRECTIVE 2002/95/EC AND AMENDMENTS.

UNLESS OTHERWISE SPECIFIED DIMENSIONS ARE IN MILLIMETER TOLERANCES ARE:	APPROVALS	DATE	Amphenol Canada Corp.	
			TITLE	WITH DUST COVER
DECIMALS .XX ±.10 .X ±.25	DRAWN S.SEMENOV	APR24/06	SIZE C	DWG. NO. P-MUSB-2A111-0X4
ANGLES ±1°	DESIGNED S.SEMENOV	APR24/06	SCALE 4:1	PROJECT MUSB
MATERIAL AND FINISH	CHECKED			
REF.	QA APPD			
CODE IDENT. NO.	IE APPD			
	DWG APPD K.BOUTROS	APR24/06		
				REV. 3
				SHEET 1 OF 3

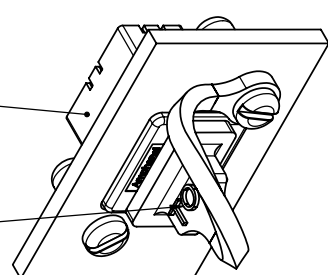


COVER HANDLE WITH MARK "TOP"

DUST COVER



SINGLE MUSB RECEPTACLE

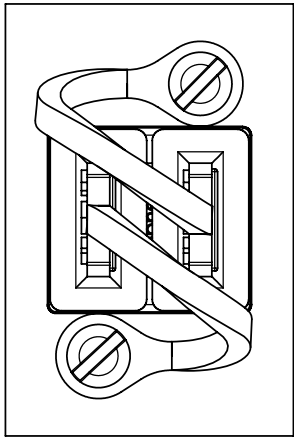
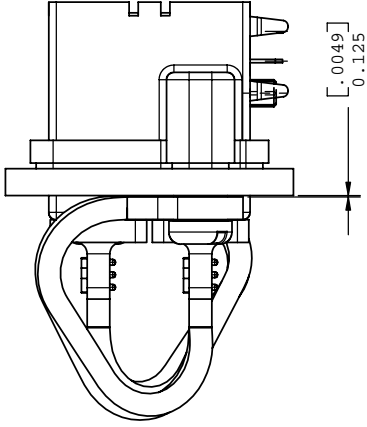


PANEL
4-40 SCREW
(NOT SUPPLIED)

SINGLE MUSB WITH DUST COVER

UNLESS OTHERWISE SPECIFIED DIMENSIONS ARE IN MILLIMETER TOLERANCES ARE: DECIMALS .XX ±.10 .X ±.25 ANGLES ±1° MATERIAL AND FINISH	APPROVALS	DATE	Amphenol Canada Corp.		
	DRAWN S.SEMENOV	APR24/06	REV. NO.	P-MUSB-2A111-0X4	REV. 3
	DESIGNED S.SEMENOV	APR24/06	SCALE	1:0.3	PROJECT MUSB
	CHECKED		TITLE	MUSB TYPE A CONNECTOR WITH DUST COVER	
REF.	IE APPD	DWG APPD	SIZE C	DWG. NO.	
CODE IDENT. NO.	K.BOUTROS	K.BOUTROS	SCALE	1:0.3	PROJECT MUSB
					SHEET 2 OF 3

DO NOT SCALE DRAWING
THIS DOCUMENT CONTAINS PROPRIETARY INFORMATION AND SUCH INFORMATION MAY NOT BE DISCLOSED TO OTHERS FOR ANY PURPOSE
OR USED FOR MANUFACTURING PURPOSES WITHOUT PERMISSION FROM AMPHENOL CANADA CORP.



COVER HANDLE WITH MARK "TOP"

DUST COVER

DOUBLE MUSB RECEPTACLE

4-40 SCREW
(NOT SUPPLIED)

PANEL

DOUBLE MUSB WITH DUST COVER

UNLESS OTHERWISE SPECIFIED DIMENSIONS ARE IN MILLIMETER TOLERANCES ARE: DECIMALS .XX ±.10 .X ±.25 ANGLES ±1° MATERIAL AND FINISH REF. CODE IDENT. NO.	APPROVALS	DATE	Amphenol Canada Corp.		
	DRAWN S.SEMENOV	APR24/06	MUSB TYPE A CONNECTOR WITH DUST COVER		
	DESIGNED S.SEMENOV	APR24/06	SIZE C	DWG. NO. P-MUSB-2A111-0X4	REV. 3
	CHECKED QA APPD		SCALE 1:0.3	PROJECT MUSB	SHEET 3 OF 3
	IE APPD				
	DWG APPD K.BOUTROS	APR24/06			

DO NOT SCALE DRAWING
THIS DOCUMENT CONTAINS PROPRIETARY INFORMATION AND SUCH INFORMATION MAY NOT BE DISCLOSED TO OTHERS FOR ANY PURPOSE
OR USED FOR MANUFACTURING PURPOSES WITHOUT PERMISSION FROM AMPHENOL CANADA CORP.