

Connector



Specification:

Part Number: PSG08644

Description: Phono Socket To 6.35mm Mono Jack Plug

Connector A: RCA / Phono Socket

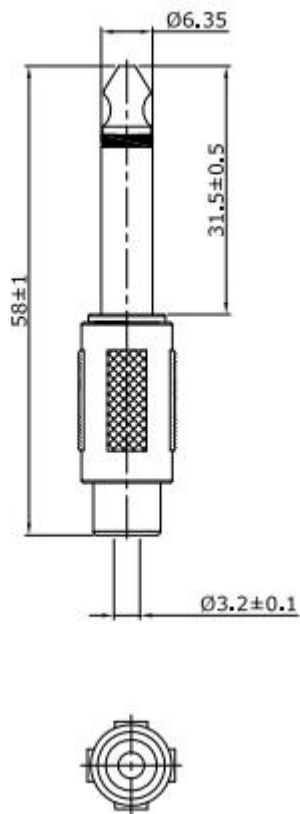
Connector B: 6.35mm Mono Jack Plug

Body Material: Zinc Alloy, PVC Black

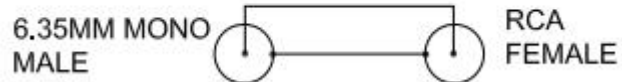
Plating: Gold Plated

Standards:

RoHS compliant



WIRING DIAGRAM



Dimensions may differ from those shown