

RJ45 connector - VS-08-RJ45-5-Q/IP20-EC - 1417401


Please be informed that the data shown in this PDF Document is generated from our Online Catalog. Please find the complete data in the user's documentation. Our General Terms of Use for Downloads are valid (<http://phoenixcontact.com/download>)



RJ45 connector, IP20, CAT5e, 8-pos., with QUICKON fast connection technology; with packaging for end customers; for 26 ... 23 AWG 1-wire and 7-wire conductors, for a cable diameter of 4.5 mm ... 8.0 mm, marking TIA 568 B, color: black



Key Commercial Data

Packing unit	1 pc
GTIN	 4 046356 521970
GTIN	4046356521970
Weight per Piece (excluding packing)	17.160 g
Custom tariff number	85366990
Country of origin	Switzerland

Technical data

Mechanical characteristics

Connection method	IDC fast connection
Minimum external conductor diameter	4.5 mm
Maximum external conductor diameter	8 mm
Overvoltage category	I
	23
	26
	23
Degree of pollution	1
Cable outlet	straight
No. of cable outlets	1
Conductor cross section	0.13 mm ² ... 0.36 mm ² (solid)
	0.14 mm ² ... 0.36 mm ² (flexible)
Weight	17.16 g

Ambient conditions

RJ45 connector - VS-08-RJ45-5-Q/IP20-EC - 1417401

Technical data

Ambient conditions

Ambient temperature (operation)	-20 °C ... 70 °C
Degree of protection	IP20

Material data

Contact surface material	Gold over nickel
Contact material	Copper alloy
Contact carrier material	PC
Housing material	PA
Width	14 mm
Height	14.6 mm
Length	59 mm

Electrical characteristics

Number of positions	8
Transmission characteristics (category)	CAT5 (IEC 11801:2002)
GRP transmission properties	CAT5 (IEC 11801:2002) CAT5 (IEC 11801:2002)
Transmission speed	1 Gbps
Rated current	1.75 A
Overvoltage category	I
Degree of pollution	1
Contact resistance	0.001 Ω (Wire – IDC) 0.005 Ω (Litz wires – IDC)
Rated voltage (III/3)	72 V (DC)

Standards and Regulations

Flammability rating according to UL 94	V0
--	----

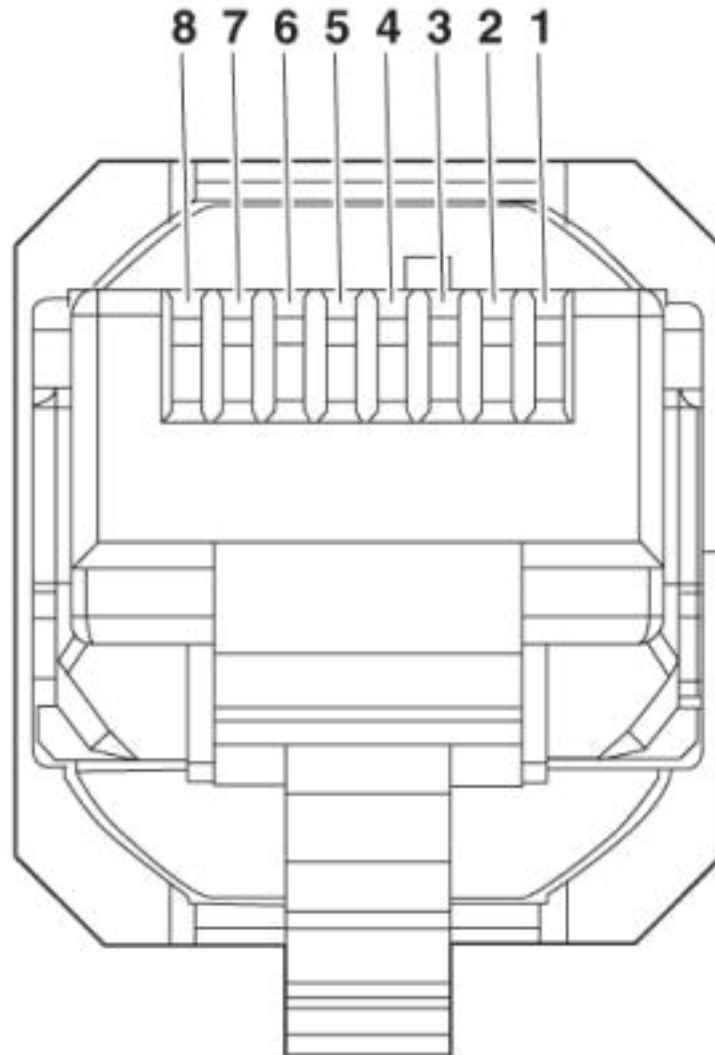
Environmental Product Compliance

China RoHS	Environmentally friendly use period: unlimited = EFUP-e
	No hazardous substances above threshold values

Drawings

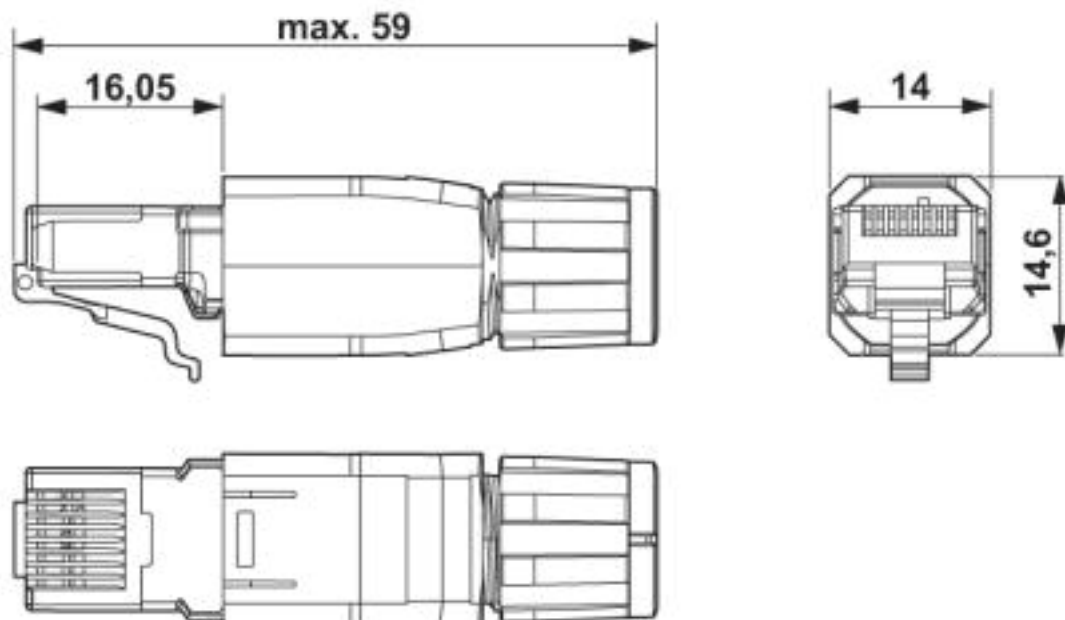
RJ45 connector - VS-08-RJ45-5-Q/IP20-EC - 1417401

Schematic diagram



RJ45 connector - VS-08-RJ45-5-Q/IP20-EC - 1417401

Dimensional drawing



RJ45 connector, IP20

Classifications

eCl@ss

eCl@ss 4.0	27260700
eCl@ss 4.1	27260700
eCl@ss 5.0	27260700
eCl@ss 5.1	27260700
eCl@ss 6.0	27260700
eCl@ss 7.0	27440101
eCl@ss 8.0	27440101
eCl@ss 9.0	27440101

ETIM

ETIM 3.0	EC001121
ETIM 4.0	EC001121
ETIM 5.0	EC002636
ETIM 6.0	EC002636
ETIM 7.0	EC002636

UNSPSC

UNSPSC 6.01	30211824
UNSPSC 7.0901	31261501
UNSPSC 11	31261501

RJ45 connector - VS-08-RJ45-5-Q/IP20-EC - 1417401

Classifications

UNSPSC

UNSPSC 12.01	31261501
UNSPSC 13.2	39121409
UNSPSC 18.0	39121409
UNSPSC 19.0	39121409
UNSPSC 20.0	39121409
UNSPSC 21.0	39121409

Approvals

Approvals

Approvals

EAC

Ex Approvals

Approval details

EAC		B.01687
-----	--	---------

Accessories

Accessories

Coding element

RJ45 coding rings - VS-08-RJ45-Q-COD-SET - 1656893

Coding set, for color encoding of the RJ45 QUICKON connector, consisting of 80 color rings, 10 rings each in the colors: white, blue, red, green, yellow, violet, brown, gray



RJ45 coding rings - VS-08-RJ45-Q-COD-BU - 1658134

Coding rings, for color coding of the RJ45 QUICKON connector, consisting of 10 color rings, color: Blue



RJ45 connector - VS-08-RJ45-5-Q/IP20-EC - 1417401

Accessories

RJ45 coding rings - VS-08-RJ45-Q-COD-BN - 1658147

Coding rings, for color coding of the RJ45 QUICKON connector, consisting of 10 color rings, color: Brown



RJ45 coding rings - VS-08-RJ45-Q-COD-YE - 1658150

Coding rings, for color coding of the RJ45 QUICKON connector, consisting of 10 color rings, color: Yellow



RJ45 coding rings - VS-08-RJ45-Q-COD-GY - 1658163

Coding rings, for color coding of the RJ45 QUICKON connector, consisting of 10 color rings, color: Gray



RJ45 coding rings - VS-08-RJ45-Q-COD-GN - 1658176

Coding rings, for color coding of the RJ45 QUICKON connector, consisting of 10 color rings, color: Green



RJ45 coding rings - VS-08-RJ45-Q-COD-RD - 1658189

Coding rings, for color coding of the RJ45 QUICKON connector, consisting of 10 color rings, color: Red



RJ45 connector - VS-08-RJ45-5-Q/IP20-EC - 1417401

Accessories

RJ45 coding rings - VS-08-RJ45-Q-COD-VT - 1658192

Coding rings, for color coding of the RJ45 QUICKON connector, consisting of 10 color rings, color: Violet



RJ45 coding rings - VS-08-RJ45-Q-COD-BK - 1658202

Coding rings, for color coding of the RJ45 QUICKON connector, consisting of 10 color rings, color: Black



Stripping tool - VS-CABLE-STRIP-VARIO - 1657407

Stripping tool, for the multi-level stripping of shielded cables

