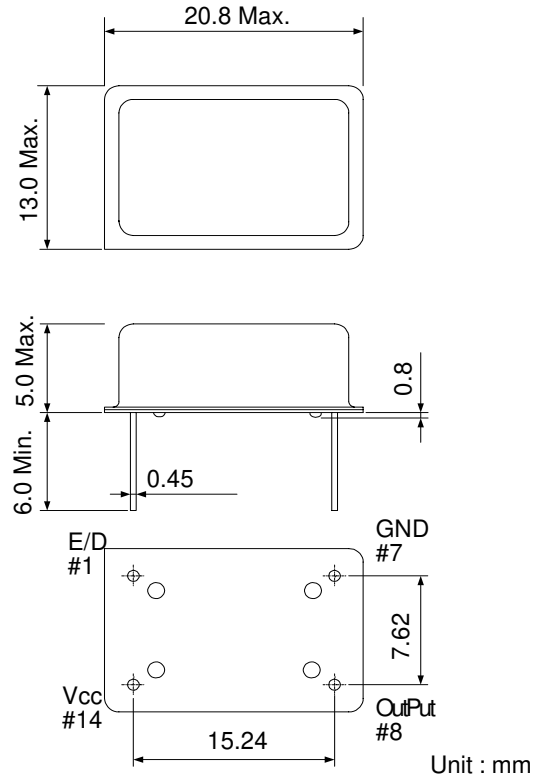


# GBS-205C

## Crystal Oscillator

### Features

- Low Power and Low current.operation



Specification (C-MOS)			
Frequency Range(MHz)	1.800~ 25.000MHz	25.001~ 67.000MHz	67.001~ 90.000MHz
Frequency Stability(ppm)	±50,±100ppm		
Operating Temp Range	-10 ~ +70 (DEG C)		
Input Voltage(V)	5.0		
Output Level	0.5V(Vol) ~ , ~ 4.5V(Voh)		
Symmetry(%) max.	50±5%(1.800~80MHz) , 50±10%(80~90MHz)		
Rise/Fall(ns) max.	10		
Input Current(mA)	25	60	80
Fanout	10N-TTL or 50pF		