

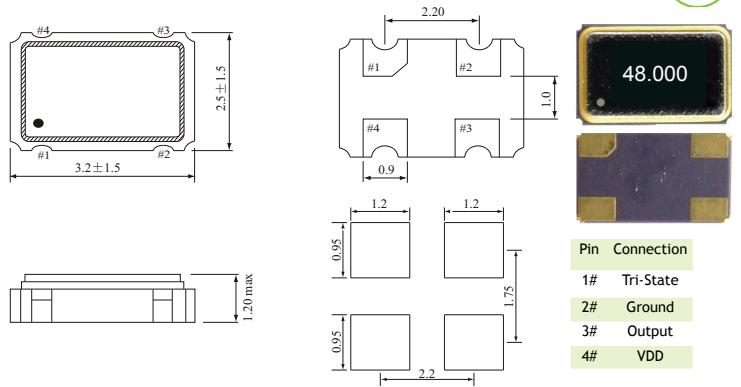
DESCRIPTION

The SOC3 SMD Clock Oscillator has a small size for many applications, large temperature range available, complementary output available, enable disable function available and different designs depending on customers requirements.

ELECTRICAL SPECIFICATION

Frequency Range (Fo)	12.00 to 50.000MHz	
Frequency Stability (all conditions)	±20ppm to ±100ppm Maximum	
Operating Temperature Range	0 °C to +70 °C Standard (or Optional)	
Storage Temperature Range	-40 °C to +85 °C	
Input Voltage (V _{DD})	5V ±10% or 3.3V ±10%	
Output Voltage	V _{OH}	90% V _{DD} Minimum
	V _{OL}	10% V _{DD} Maximum
Rise Time (tr)	10% V _{DD} - 90% V _{DD}	10ns (1.00 to 23.99MHz)
Fall Time (tf)	90% V _{DD} - 10% V _{DD}	6ns (24.00 to 100.00MHz)
Tri-State (Pin 1)	ON (Low Level)	High Impedance at Pin 3
	OFF (High Level or Open)	Output Active at Pin 3
Output Symmetry 1/2 V _{DD}	A	40 / 60%
	B	45 / 55%
	C	47.5 / 52.5%
Low Voltage	0.5V (10% V _{DD})	
High Voltage	4.5V (90% V _{DD})	
Aging (at 25 °C)	±3ppm per year	
Output Load	CL=15pF / 1-10LS TTL	

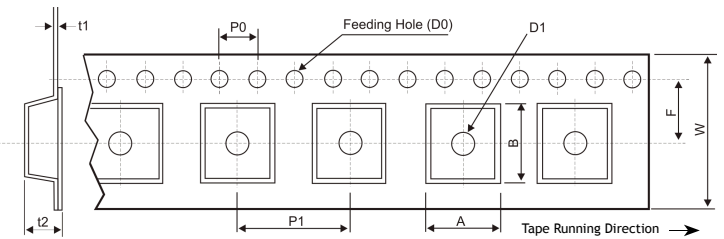
MECHANICAL DIMENSIONS (all in mm)



Pin Connection

1#	Tri-State
2#	Ground
3#	Output
4#	VDD

TAPE SPECIFICATIONS (all in mm) - Carrier Tape Dimensions



W	F	P0	P1	D0	D1	t1	t2	A	B
12±0.3	7.5±0.05	4.0±0.1	4±0.1	Ø1.5±0.1	Ø1.0±0.25	1.2±0.03	1.5±0.1	2.8±0.1	3.5±0.1

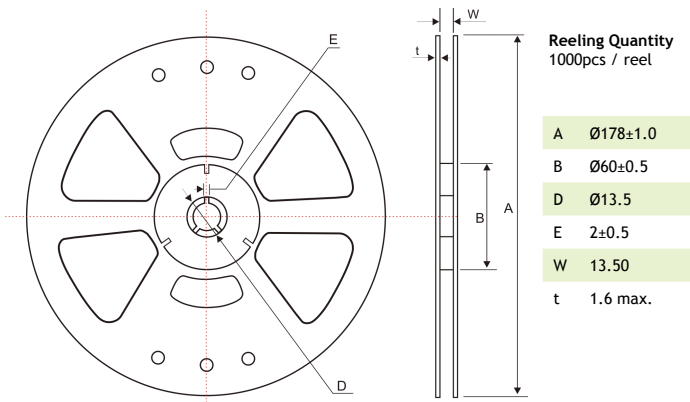
All temperature refer to topside of the package, measured on the package body surface

Wired oscillators can be processed manually or in solder wave. Oscillators with SMD-connections can be processed in convection, infrared or vapour phase soldering procedure, however, not over the head.

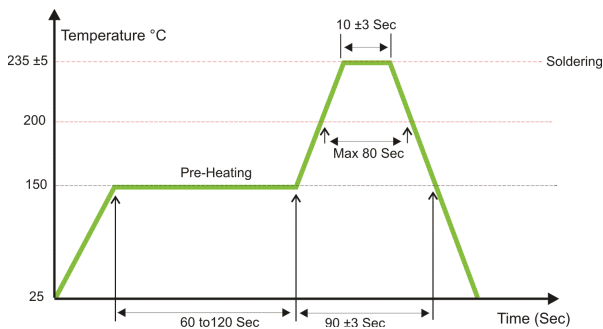
In solder machine mounted crystal or crystal oscillator can get a frequency offset which relaxes only after a view days, type depending.

A storage under normal climate conditions (+5 °C to +35 °C and 40% to 75% a relative humidity) ensures a sufficient solderability of minimum 1 year. The solderability is typically still guaranteed beyond it.

Should the occasion of a long storage arise it has to be rechecked. For corresponding soldering profiles please refer to IEC 61760-1.



SOLDERING



PART NUMBERING SYSTEM (Example)

