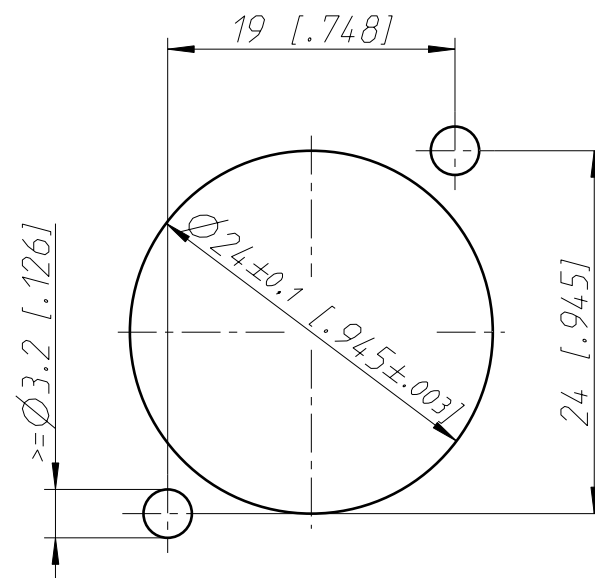
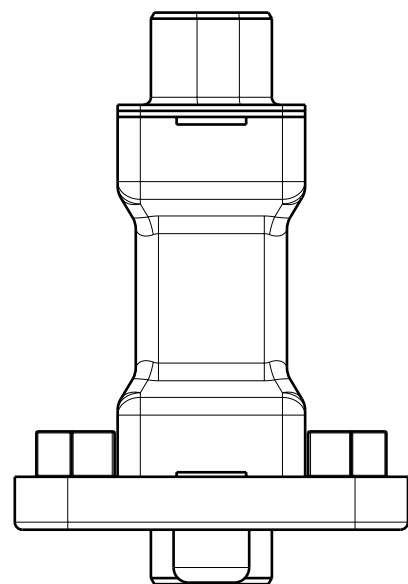


Frontplattenausschnitt (Rueckseite)
Panel cut out (rear side)



1:1

Refer to protection notice ISO 16016.	Scale 2:1 (A3)	Date	Name
		07.08.14	Karlinger
Name D-SUB NADB15FF		Drawn	Karlinger
		Modified	-
		Change-No.	Sheet-No. 1 / 1
Replacement for:		Drawing-No. ST-NADB15FF	
NEUTRIK			