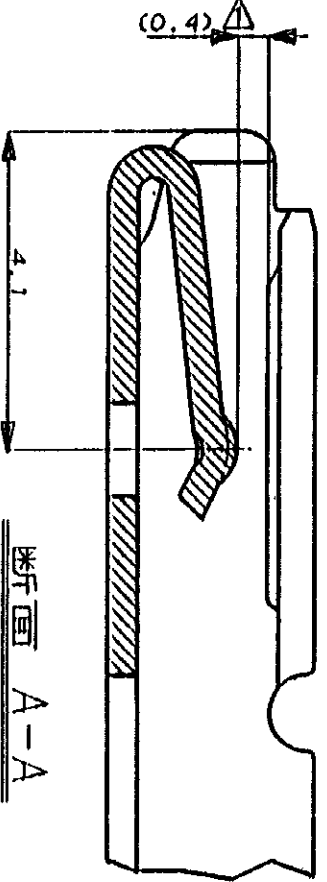
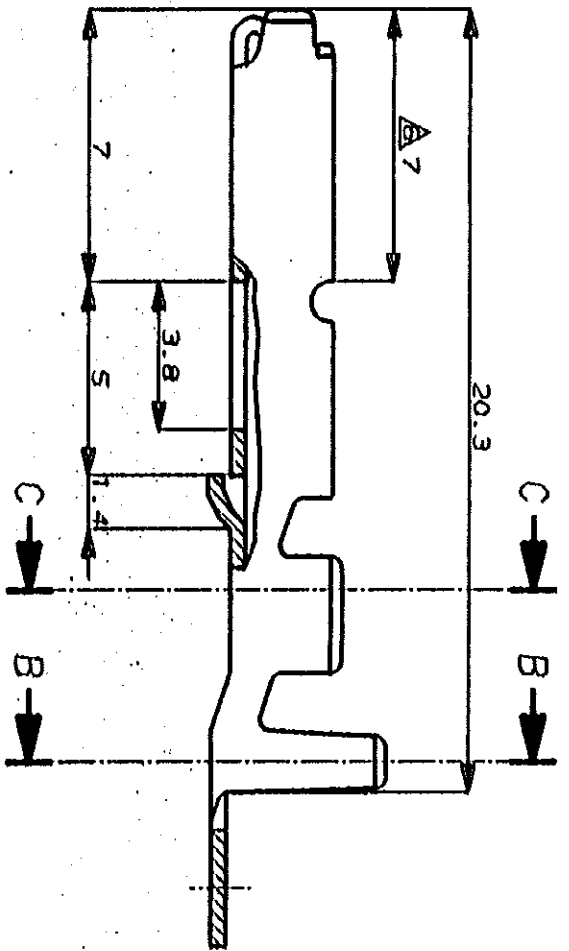


断面 C-C
(SECT. C-C)

断面 B-B
(SECT. B-B)



断面 A-A
SCALE: 10-1
(SECT. A-A)

REVISED PER	FOR	DATE	BY	CHK	DATE
F	REVISION	10/10/89	M.D.		
E	REVISION	10/10/89	K.S.H.		
LTR	REVISION RECORD		DR	CHK	DATE

172776-6	172776-5	172776-1	172776-5	172776-4	172776-2	172776-1
選択金 (SELECTIVE GOLD)	鍍メッキ (PRE-TIN)	鍍メッキ (PRE-TIN)	鍍メッキ (PRE-TIN)	鍍メッキ (PRE-TIN)	選択金 (SELECTIVE GOLD)	鍍メッキ (PRE-TIN)
PHOS BRO	鋼 (BRASS)	鋼 (BRASS)	鋼 (BRASS)	鋼 (PHOS BRO)	鋼 (BRASS)	鋼 (BRASS)
172775-6	172775-5	172775-1	172775-5	172775-4	172775-2	172775-1
7	6	5	4	3	2	1

- 注:
- 0.65t タブと適合。
 - 嵌合相手タブ型番 172779, 172780
 - 製品規格 No. 108-5165, 5166.
 - 取付通用規格 No. 114-5071.
 - 相手ハワック型番 172500 他。
- △ 逆巻きリール。
- NOTES:
- MATE WITH 0.65t TAB.
 - MATE TAB P/N: 172779, 172780.
 - PRODUCT SPEC. No. 108-5165, 5166.
 - APPLICATION SPEC. No. 114-5071.
 - PLUG HSG P/N 172500 ETC.
- △ REVERSE REEL.

© 1982 BY AMP (JAPAN) LTD.
ALL RIGHTS RESERVED.
AMP PRODUCTS COVERED BY PATENTS
AND OR PATENTS PENDING

AMP | AMP (JAPAN), LTD.
Tokyo, Japan

リセクタブルマイクロロータリーII
RECEPTACLE MIC MK II

GENERAL TOLERANCE
0-0.10 : ±0.2
10-0.10 : ±0.25
30-0.10 : ±0.3
ANGLES : ±3°

SCALE S-1

REV. F

SHEET 1 OF 1

CUSTOMER DRAWING