

Pre-assembled plug connectors

Product range overview

Function	Electrical connection	Type	Cable connector	Version	→ Page/Internet
Round plug connector	Plug				
	M8, 3-pin	SEA-3GS-M8-S	Pg7	Straight/ screw terminal	2
		SEA-GS-M8	Pg7	Straight/ solder lug	2
	M12, 4-pin	SEA-GS-7	Pg7	Straight/ screw terminal	4
		SEA-GS-9	Pg9	Straight/ screw terminal	4
		SEA-GS-11-DUO	Pg11	Straight/ screw terminal	4
		SEA-GS-HAR	Pg9	Straight/ insulation displacement connector	4
		SEA-4GS-7-2,5	Pg7	Straight/ screw terminal	4
	M12, 5-pin	SAE-M12-5GS	Pg7	Straight/ screw terminal	6
		SEA-5GS-11-DUO	Pg11	Straight/ screw terminal	6
	Plug socket				
	M12, 4-pin	SAE-M12-4WD	Pg7	Angled/ screw terminal	8

Pre-assembled plug connectors, M8, 3-pin

Technical data – SEA-GS-M8

FESTO

Plug
SEA-GS-M8

- Sensor plug/socket for inputs/ outputs
- Can be assembled with any cable lengths
- 3-pin
- With screw terminals or soldered connection
- Wire cross section up to 0.5 mm²



General technical data		
Type	SEA-GS-M8	SEA-3GS-M8-S
Electrical connection	Straight plug, 3-pin, M8x1	
	Solder lug	Screw terminal
Type of mounting	Via threaded sleeve	
Mounting position	Any	
Max. tightening torque of locking clip	[Nm]	0.3
Permissible cable diameter	[mm]	3.5 ... 5
Connection cross section	[mm ²]	0.25
Acceptable current load at 40 °C	[A]	3
Surge resistance	[kV]	1.5
Operating voltage range	[V AC]	60
	[V DC]	60
Protection class to EN 60529	IP67 (assembled)	IP65 (assembled)
Based on standard	EN 61076-2-101, EN 61984	

Materials		
Type	SEA-GS-M8	SEA-3GS-M8-S
Housing colour	Black	
Housing material	PA	
Contact material	Gold-plated brass	
Union nut material	Nickel-plated brass	Nickel-plated/chrome-plated brass
Note on materials	RoHS-compliant	
Max. tightening torque of locking clip	[Nm]	0.3

Operating and environmental conditions		
Ambient temperature	[°C]	-40 ... +85
Corrosion resistance class CRC ¹⁾		2
CE marking (see declaration of conformity)		To EU Low Voltage Directive
Degree of contamination		3

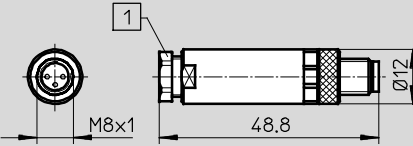
1) Corrosion resistance class 2 according to Festo standard 940 070
Components subject to moderate corrosion stress. Externally visible parts with primarily decorative surface requirements which are in direct contact with a normal industrial environment or media such as coolants or lubricating agents.

Pre-assembled plug connectors, M8, 3-pin

Technical data – SEA-GS-M8

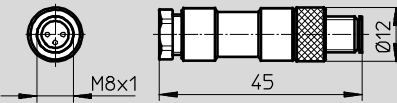
Dimensions Download CAD data → www.festo.com

SEA-3GS-M8-S



1 Cable connector:
 – Black for cables 3.5 ... 5 mm
 – Blue for cables 2.5 ... 4 mm

SEA-GS-M8



Ordering data				
Electrical connection	Cable connector	Product weight [g]	Part No.	Type
Straight plug, 3-pin, screw terminal	Pg7	11	192009	SEA-3GS-M8-S
Straight plug, 3-pin, solder lug	Pg7	9	18696	SEA-GS-M8

Pre-assembled plug connectors, M12, 4-pin

Technical data – SEA-GS

FESTO

Plug

SEA-GS

SEA-GS-HAR

SEA-4GS

- Sensor plug for inputs/outputs
- Can be assembled with any cable lengths
- 4-pin
- Wire cross section up to 0.75 mm²



General technical data		SEA-GS ...	SEA-4GS ...	SEA-GS-HAR ...
Electrical connection		Straight plug, 4-pin, M12x1		
		Screw terminal	Screw terminal	Insulation displacement connector
Type of mounting		Via threaded sleeve	Via threaded sleeve	Via thread
Mounting position		Any	Any	Any
Max. tightening torque of locking clip	[Nm]	0.5	0.5	0.5
Connection cross section	[mm ²]	0.75	0.14 ... 0.5	0.25 ... 0.5
Permissible individual wire diameter	[mm]	–	–	0.1
Permissible wire diameter	[mm]	–	–	1.2 ... 1.6
Acceptable current load at 40 °C	[A]	4	4	4
Surge resistance	[kV]	2.5	2.5	0.8
Operating voltage range	[V AC]	250	250	32
	[V DC]	250	250	32
Protection class to EN 60529		IP67 (assembled)	IP65 (assembled)	IP67 (assembled)
Based on standard		EN 61076-2-101, EN 61984		

Materials		SEA-GS ...	SEA-4GS ...	SEA-GS-HAR ...
Housing colour		Black	Black	–
Housing		PBT	PA	Nickel-plated die-cast zinc
Contacts		Brass, coated with white bronze	Brass, coated with white bronze	Gold-plated copper base alloy
Union nut		PBT	PA	–
Permissible wire insulation		–	–	PVC
Note on materials		RoHS-compliant		

Operating and environmental conditions		SEA-GS ...	SEA-4GS ...	SEA-GS-HAR ...
Ambient temperature	[°C]	–40 ... +85		–25 ... +85
Corrosion resistance class CRC ¹⁾		2		2
CE marking (see declaration of conformity)		To EU Low Voltage Directive		–
Degree of contamination		3		3

1) Corrosion resistance class 2 according to Festo standard 940 070
Components subject to moderate corrosion stress. Externally visible parts with primarily decorative surface requirements which are in direct contact with a normal industrial environment or media such as coolants or lubricating agents.

Pre-assembled plug connectors, M12, 4-pin

Technical data – SEA-GS

Dimensions Download CAD data → www.festo.com

SEA-GS-7

1 4 ... 6 mm

SEA-4GS-7-2,5

1 2.5 ... 2.9 mm

SEA-GS-9

SEA-GS-11-DUO

SEA-GS-HAR

Ordering data					
Electrical connection	Cable connector	Perm. cable Ø [mm]	Product weight [g]	Part No.	Type
Straight plug (type A), 4-pin, screw terminal	Pg7	4 ... 6	17	18666	SEA-GS-7
		2.5 ... 2.9	18	192008	SEA-4GS-7-2,5
	Pg9	6 ... 8	18	18778	SEA-GS-9
		Pg11	3 ... 5	24	18779
Straight plug, 4-pin, insulation displacement connector	Pg9	4 ... 5.1	11.5	525928	SEA-GS-HAR-4POL

Pre-assembled plug connectors, M12, 5-pin

Technical data – SEA-...5GS

FESTO

Plug

SEA-M12-5GS

SEA-5GS

- Sensor plug for inputs/outputs
- Can be assembled with any cable lengths
- 5-pin
- Wire cross section up to 0.75 mm²



General technical data		
Type	SEA-M12-5GS-PG7	SEA-5GS-11-DUO
Electrical connection	Straight plug (type A), 5-pin M12, screw terminal	
Type of mounting	Via threaded sleeve	
Max. tightening torque of locking clip [Nm]	0.5	
Mounting position	Any	
Permissible cable diameter [mm]	4 ... 6	2 x 2.5 ... 2.9 or 2 x 5
Connection cross section [mm ²]	0.75	0.14 ... 0.5
Acceptable current load at 40 °C [A]	4	
Surge resistance [kV]	1.5	
Operating voltage range	[V AC]	60
	[V DC]	60
Protection class to EN 60529	IP67 (assembled)	IP65 (assembled)
Based on standard	EN 61076-2-101, EN 61984	

Materials		
Type	SEA-M12-5GS-PG7	SEA-5GS-11-DUO
Housing colour	Black	
Housing	PBT	PA
Contacts	Brass, coated with white bronze	
Union nut	Nickel-plated die-cast zinc	PA
Note on materials	RoHS-compliant	

Operating and environmental conditions		
Ambient temperature [°C]	-40 ... +85	
Corrosion resistance class CRC ¹⁾	2	
CE marking (see declaration of conformity)	To EU Low Voltage Directive	
Degree of contamination	3	

1) Corrosion resistance class 2 according to Festo standard 940 070

Components subject to moderate corrosion stress. Externally visible parts with primarily decorative surface requirements which are in direct contact with a normal industrial environment or media such as coolants or lubricating agents.

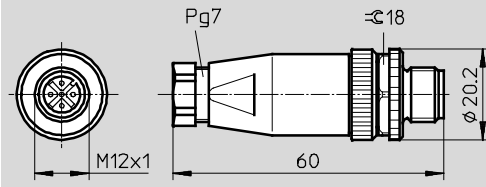
Pre-assembled plug connectors, M12, 5-pin

Technical data – SEA-...5GS

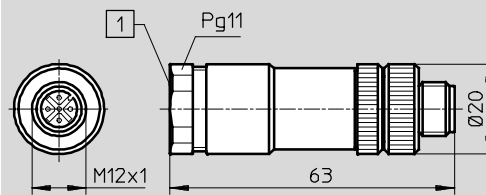
Dimensions

Download CAD data → www.festo.com

SEA-M12-5GS-PG7



SEA-5GS-11-DUO



- 1 Included in the scope of delivery:
- 1 seal insert for 2 cables with \varnothing 2.5 ... 2.9 mm
 - 1 seal insert for 2 cables with \varnothing 5 mm
 - 1 cable tie

Ordering data

Electrical connection	Cable connector	Product weight [g]	Part No.	Type
Straight plug (type A), 5-pin, screw terminal	Pg7	21.5	175487	SEA-M12-5GS-PG7
	Pg11	24	192010	SEA-5GS-11-DUO

Pre-assembled plug connectors, M12, 4-pin

Technical data – SEA-M12-4WD

Plug socket

SEA-M12-4WD

- Plug socket for inputs/outputs
- Can be assembled with any cable lengths
- 4-pin
- Wire cross section up to 0.75 mm²



General technical data	
Electrical connection	Angled plug socket (type A), 4-pin M12, screw terminal
Type of mounting	Via union nut
Mounting position	Any
Permissible cable diameter	[mm] 4 ... 6
Max. tightening torque of locking clip	[Nm] 0.5
Connection cross section	[mm ²] 0.75
Acceptable current load at 40 °C	[A] 4
Surge resistance	[kV] 2.5
Operating voltage range	[V AC] 250
	[V DC] 250
Protection class to EN 60529	IP67 (assembled)
Based on standard	EN 61076-2-101, EN 61984

Materials	
Housing colour	Black
Housing	PBT
Contacts	Brass, coated with white bronze
Seals	Nitrile rubber
Union nut	Nickel-plated die-cast zinc
Note on materials	RoHS-compliant

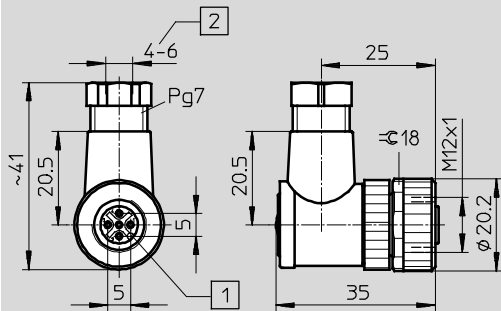
Operating and environmental conditions	
Ambient temperature	[°C] -40 ... +85
CE marking (see declaration of conformity)	To EU Low Voltage Directive
Degree of contamination	3

Pre-assembled plug connectors, M12, 4-pin

Technical data – SEA-M12-4WD

Dimensions

Download CAD data → www.festo.com



1 Insert rotatable in steps of 90°

2 Cable \varnothing 4 ... 6 mm

Ordering data

Electrical connection	Cable connector	Product weight [g]	Part No.	Type
Angled plug socket (type A), 4-pin, screw terminal	Pg7	30	185498	SEA-M12-4WD-PG7