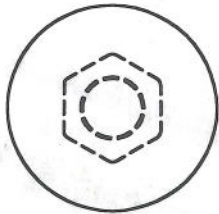


VBM 200(MR) RATIO SETTING SHEET

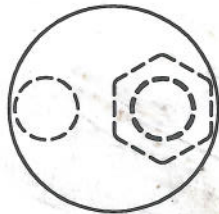
FOR 200ml CARTRIDGE SYSTEM

PLUNGER ARRANGEMENT
(LOOKING FROM FRONT OF GUN)

CARTRIDGE DIAMETERS
(5 13/16" (147mm) LONG)



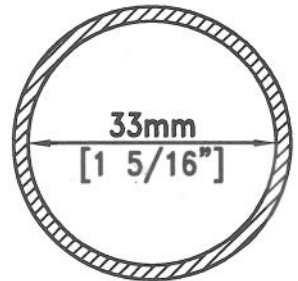
28mm
PLUNGER



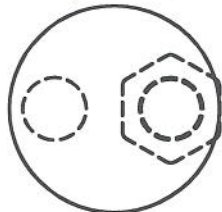
28mm OFFSET
PLUNGER

1:1

USE



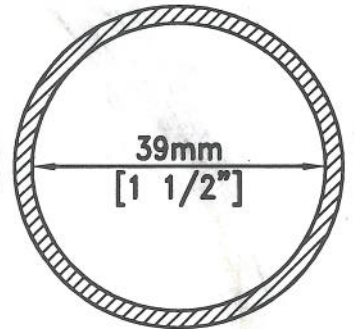
19mm
PLUNGER



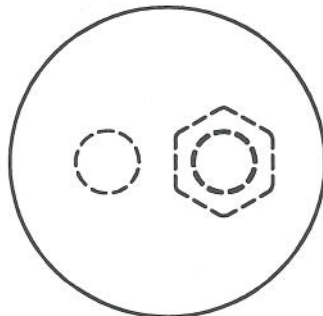
28mm OFFSET
PLUNGER

2:1

USE



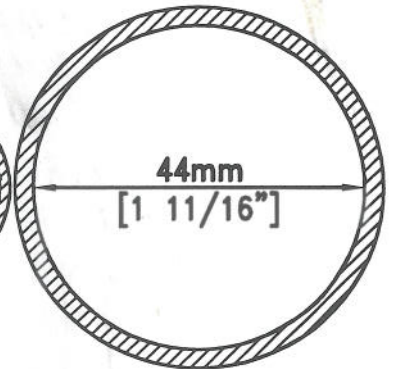
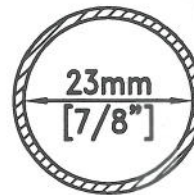
19mm
PLUNGER



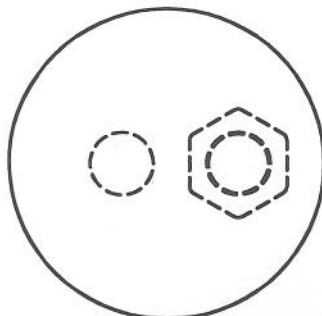
42mm OFFSET
PLUNGER

4:1

USE



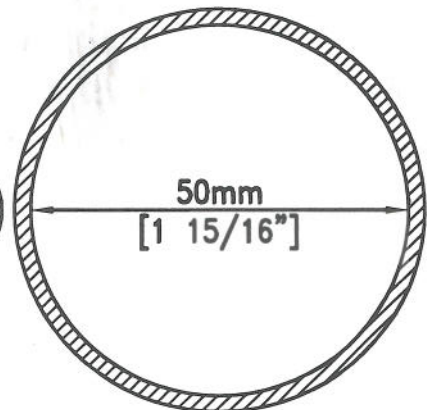
15mm ALLY
PLUNGER



42mm OFFSET
PLUNGER

10:1

USE



NOTES:

WHEN CHANGING THE RATIO, MAKE SURE THE
OFFSET PLUNGER IS SUPPORTED BY THE DRIVE ROD.