

# LQM18DZ100M70#

“#” indicates a package specification code.

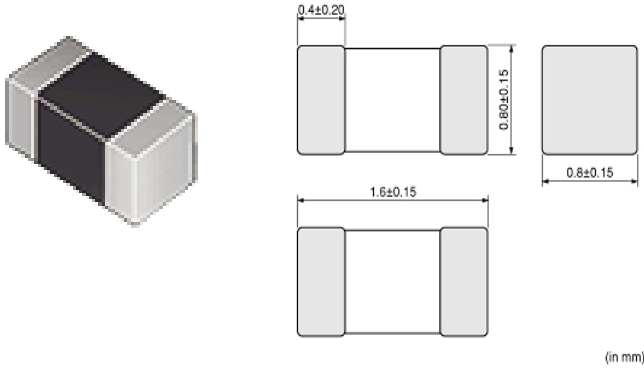
## Bias Current Characteristics Improved



### < List of part numbers with package codes >

LQM18DZ100M70B      LQM18DZ100M70L

## Appearance & Shape



## References

Packaging	Specifications	Standard Packing Quantity
B	Bulk(Bag)	1000
L	180Embossed Tape	4000

Mass (typ.)	
1 piece	0.005g

### Attention

- 1.This datasheet is downloaded from the website of Murata Manufacturing Co., Ltd. Therefore, it's specifications are subject to change or our products in it may be discontinued without advance notice. Please check with our sales representatives or product engineers before ordering.
- 2.This datasheet has only typical specifications because there is no space for detailed specifications. Therefore, please review our product specifications or consult the approval sheet for product specifications before ordering.

# LQM18DZ100M70#

“#” indicates a package specification code.



## Specifications

L size	1.6±0.15mm
W size	0.8±0.15mm
T size	0.8±0.15mm
Size code inch (mm)	0603 (1608)
Inductance	10μH±20%
Inductance Test Frequency	1MHz
Rated current (Isat) (Based on Inductance change)	100mA
Rated current (Itemp) (Based on Temperature rise)	300mA
Max. of DC resistance	1.37Ω
Class of magnetic shield	Ferrite Core
Self resonance frequency (min.)	32MHz
DC Resistance Intermediate Values	1.05Ω±0.32Ω
Operating Temperature Range	-55°C to 125°C
Series	LQM18DZ_70

### Attention

1.This datasheet is downloaded from the website of Murata Manufacturing Co., Ltd. Therefore, it's specifications are subject to change or our products in it may be discontinued without advance notice. Please check with our sales representatives or product engineers before ordering.

2.This datasheet has only typical specifications because there is no space for detailed specifications.

Therefore, please review our product specifications or consult the approval sheet for product specifications before ordering.