



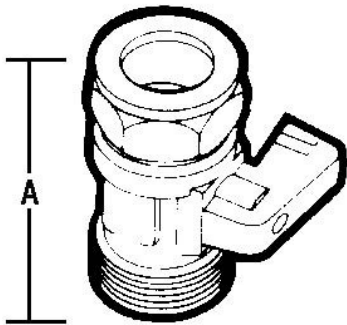
## Chromium Plated Straight Pattern Brass Washing Machine Tap Hot or cold Copper x male iron

809



Size	Pattern No.	Pack 1 Qty	Pack 2 Qty	Code	Barcode	Price (£) ex VAT
15mmx3/4	809	25	100	524008	5013866017032	£6.41

809



Code	Description	A	B Kg
524008	15MMX3/4 809 CP STRAIGHT PATT WM TAP CXM	51	0

*Pegler Yorkshire reserve the right to change specifications*

### Valves and Fittings

#### Pegler Yorkshire Customcare 5 Year Guarantee - Terms and Conditions

Products are subject to a 5 year guarantee that is between Pegler Yorkshire and the final purchaser of the product.

The guarantee is subject to proof of purchase being supplied.

This guarantee does not affect any statutory rights the consumer may have in law.

The guarantee covers manufacturing or material defects and does not cover parts subject to normal wear and tear.

This product range has been designed for the use of homeowners, domestic and commercial applications and therefore the guarantee is subject to the product being properly selected for their intended service conditions.

The guarantee is not applicable where the product is fitted contrary to the conditions in the fitting instructions.

This is reinforced where valves are covered by the European Pressure Equipment Directive (PED97/23/EC) where Installation, Operating and Maintenance Instructions are supplied with each product and/or carton.

Provided it is installed correctly and receives adequate preventative maintenance it should give years of trouble-free service.

Abusive behaviour and accidental damage to the product are not covered by this guarantee.

The extent of this liability is limited to the cost of the replacement of the defective item and not to fitting or consequential damages.

Description	Minimum Operating Pressure (bar)	Maximum Cold Working Pressure (bar)	Maximum Hot Working Pressure (bar)
809 Chromium Plated Straight Pattern Brass Washing Machine Tap	No Minimum Operating Pressure	16.0 bar at temperatures up to 30oC	5.0 bar at temperatures up to 120oC

### Care

No regular aesthetic care is required for this product

**Maintenance**

No regular maintenance is required for this product.

For any further help please contact the Service Support Team on: 0800 1560050.

**Regulations**

It is important to ensure that the water supplies to your fitting are connected in accordance with the water regulations (WRAS) requirements and good plumbing practice.  
This product has been designed in accordance with BS6675 standard.

The servicing valve should be fitted as close to the terminal fitting it is isolating, to avoid waste and misuse.

# WRAS<sup>®</sup>

Water Regulations Advisory Scheme

*This certifies that*

**PEGLER YORKSHIRE GROUP LTD.**

---

*has had the undermentioned product examined, tested and found, when correctly installed, to comply with the requirements of the United Kingdom Water Supply (Water Fittings) Regulations/Scottish Water Byelaws.*

**PRESTEX 809 IN-LINE LEVER OPERATED SPHERICAL VALVE (15MM - 3/4" F)**

*Reference should be made to the accompanying acceptance letter for installation requirements*

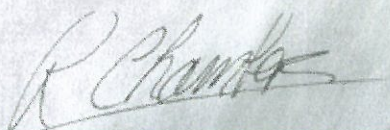
*The product so mentioned will be listed in the Water Fittings and Materials Directory for a period until:*

**3 DECEMBER 2014**

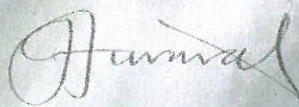
---

**0912058**

*Certificate No.*



*Chairman, Test and Assessment Group*



*Secretary*

**WRAS**  
APPROVED  
PRODUCT