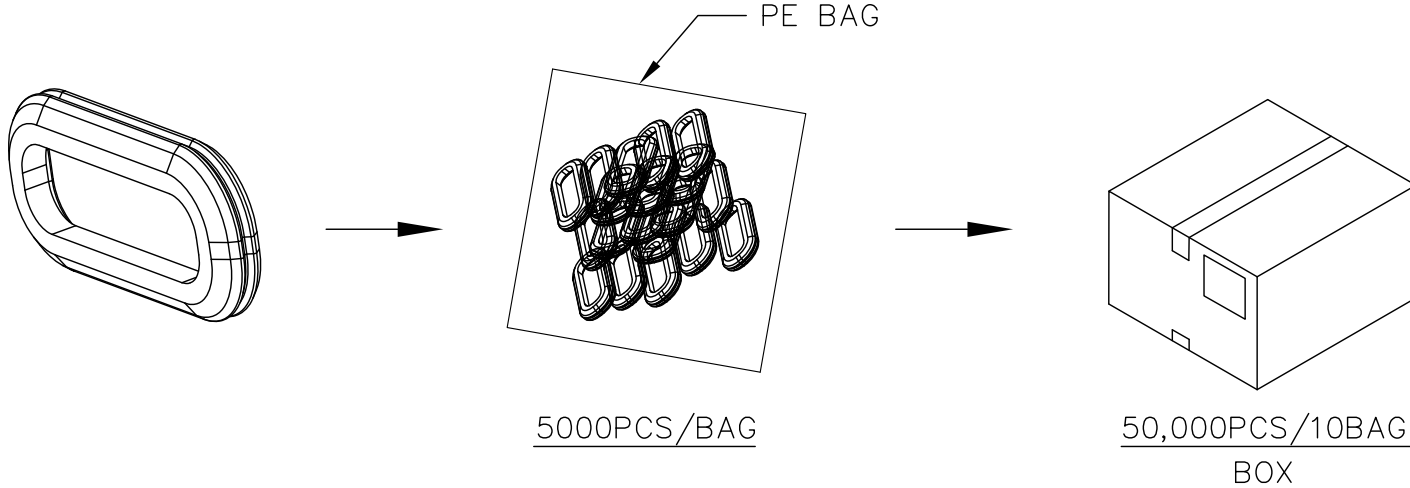
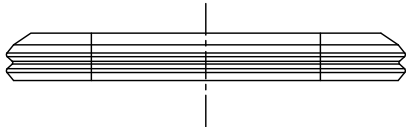
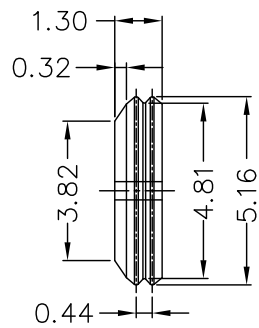
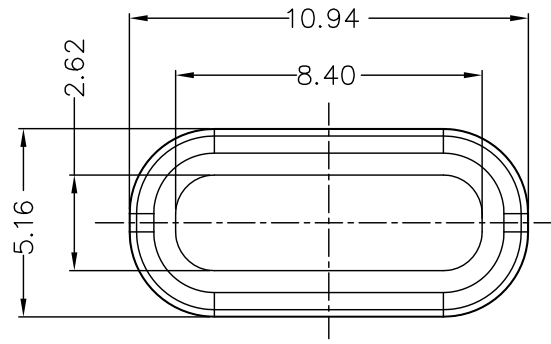


REV.	DESCRIPTION	DATE
1	PRELIMINARY	May. 31, 2018



DGA00010553(A)



防水圈材質:矽膠

PART NUMBER INFORMATION :

O-RING-X01T-H
 |
 |
 |
 | HALOGEN FREE
 |
 | COLOR OPTION:
 0 : BLACK
 1 : WHITE

TOLERANCE .0=±0.30 .00=±0.20 .000=± .0000=± ANG.=±3°		DRAWER <i>JJN9</i>	Astron WWW.ASTRON.COM.TW
 UNITS : mm		CHECK <i>NFC0LB</i>	
SCALE NONE		APP'D <i>BRFB</i>	NAME WATERPROOF O-RING FOR : 237FC24-XN28T-H 237FC24-XN31T-H
SIZE A4	SHEET 1 OF 1	PRODUCT SPEC.	DRAW NO. O-RING-X01T-H
REV. 1	T0123		