

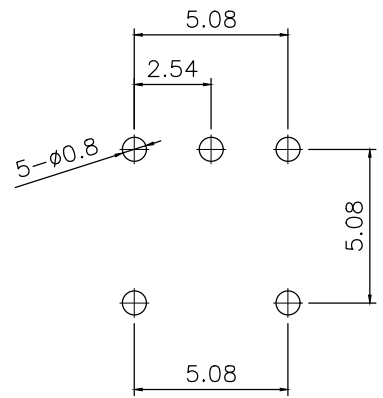
DATA SHEET

SUNGMUN CODE : SP-12SH
DESCRIPTION : PUSH SWITCH

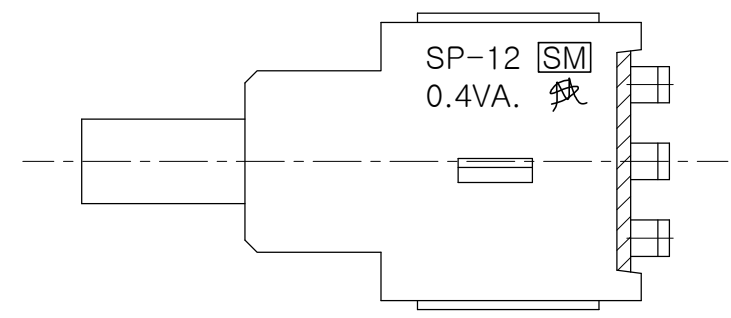
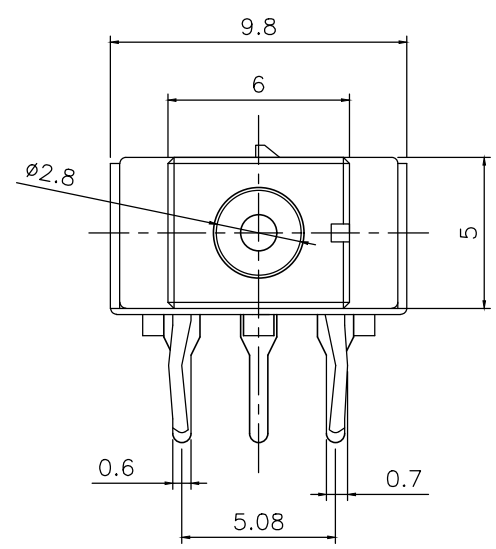
SUNGMUN ELECTRONICS CO., LTD.

Address 301-302,Bucheon Technopark 345, Seokcheon-ro, Ojeong-gu
Bucheon-si, Gyeonggi-do, Korea
TEL. +82-32-328-1941~4
FAX +82-32-328-1945
E-mail sungmun@sungmun.co.kr
Website www.sungmun.com

| MRK. | DATE | REVISION | SIGN |
|------|------|----------|------|
| △ | | | |



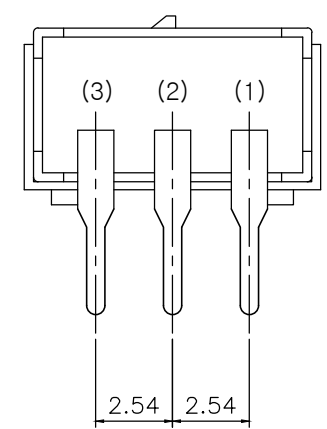
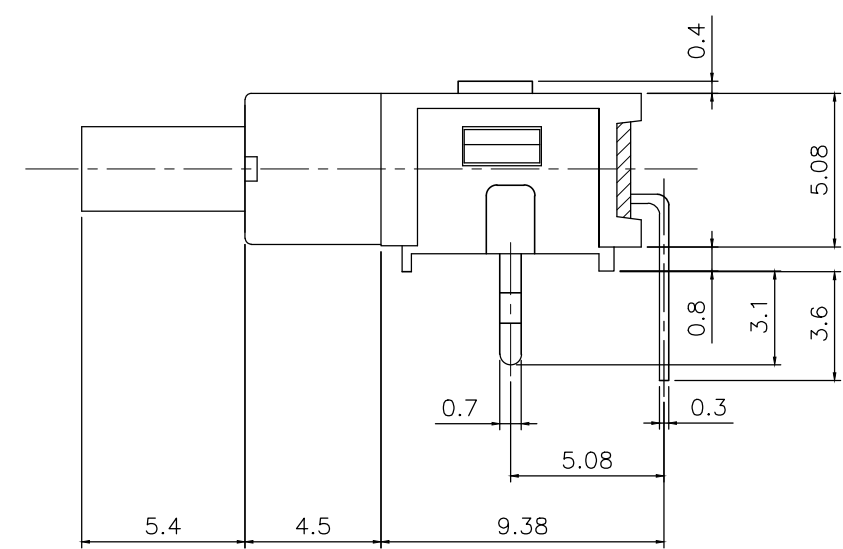
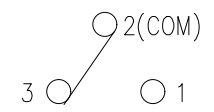
P.C.B DIMENSION



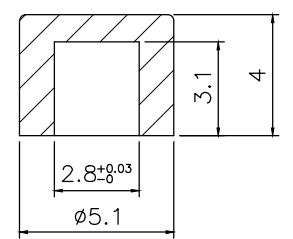
CIRCUIT

| | |
|----------------|------|
| NORMAL | DOWN |
| ON | (ON) |
| 2-3 | 1-2 |
| (): MOMENTARY | |

SCHEMATICS



SK-100□ (CAP)



COLOR □

- K: BLACK
- R: RED
- W: WHITE

REMARK

1. The CAP must be used after soldering.
2. The CAP is packed in 1,000pcs separately.

| 01 | - | - | - | 1 | - |
|----------------------------|-------------|-----------|--------------|--------------------|---------|
| NO. | DESCRIPTION | MATERIAL | COLOR/FINISH | Q.TY | VENDOR |
| W. J. LEE | J. P. ROH | K. I. LEE | TITLE | PUSH BUTTON SWITCH | |
| | | | UNIT | SCALE | MODEL |
| | | | mm | 4:1 | SP-12SH |
| SUNGUM ELECTRONICS CO.,LTD | | | SIZE | DRAW NO. | SHEET |
| | | | A4 | SP-12SH00-02 | 1/1 |

1. Electrical Characteristics :

- 1-1 Rating: 0.4VA at 28V AC or DC Max.
- 1-2 Contact Resistance: Max 50 mΩ
- 1-3 Insulation Resistance: Min 500 MΩ at DC 500V
- 1-4 Withstanding Voltage: 1 minute at AC 500V
- 1-5 Life Cycle: 20,000 cycles
- 1-6 Operating Temperature: -25°C ~ +80°C

2. Mechanical Characteristics :

- 2-1 Operating Force: 250±100gf
- 2-2 Travel: 1.1mm
- 2-3 Insulator: Fiberglass reinforced polyamide.
- 2-4 Terminal: Brass, Gold plate.

3. High, Low Temperature Test :

- 3-1 Test Condition: 80°C±3°C for 48 hours
-25°C±3°C for 48 hours
- 3-2 Insulation Resistance: Min 500 MΩ at DC 500V
- 3-3 Withstanding Voltage: 1 minute at AC 500V
- 3-4 Contact Resistance: Max 50 mΩ

4. Humidity Test :

- 4-1 Test Condition: Measured 3 hours after exposure to ambient after 96 hours exposure at
40°C±2°C, 90-95% R.H
- 4-2 Insulation Resistance: Min 10 MΩ
- 4-3 Withstanding Voltage: 1 minute at AC 500V
- 4-4 Contact Resistance: Max 50 mΩ

5. Solder Condition :

- 5-1 Within 5 sec. at 270°C