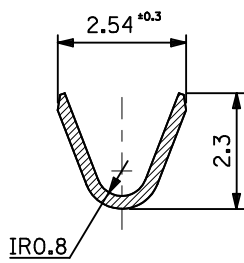
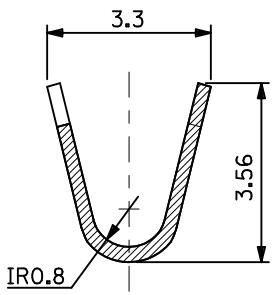


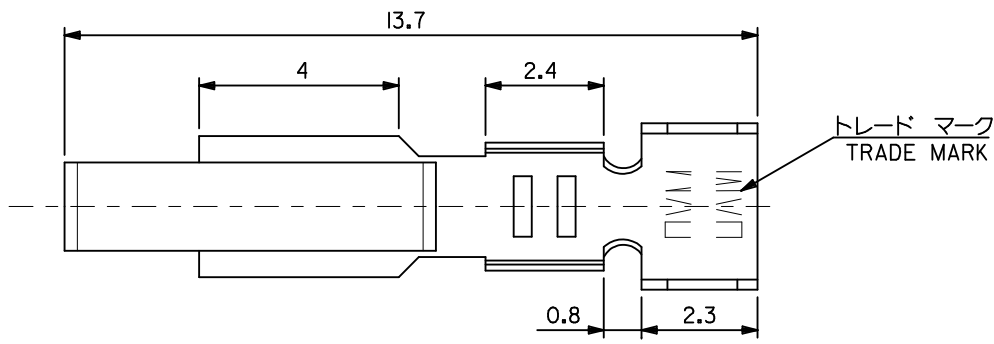
10 9 8 7 6 5 4 3 2 1



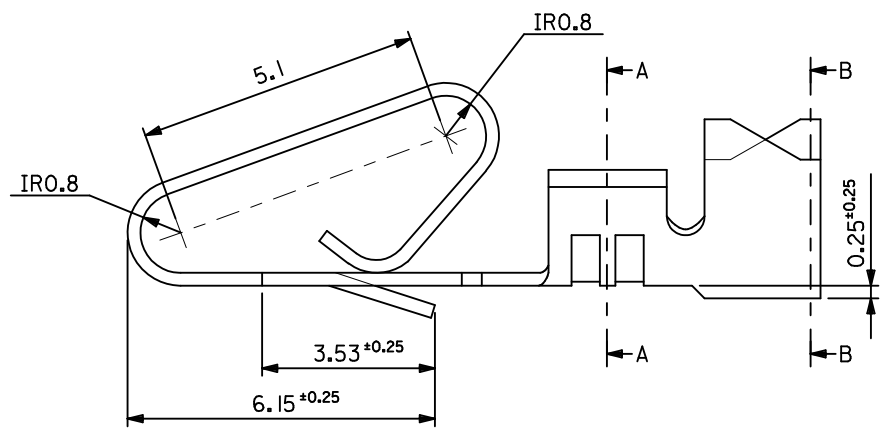
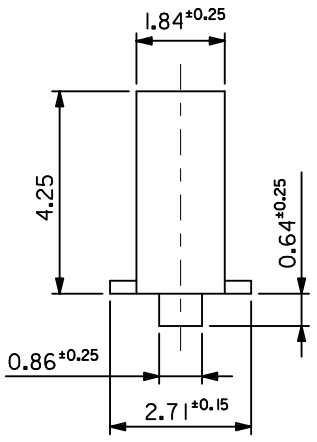
SECT.A-A



SECT.B-B



トレード マーク
TRADE MARK



注記 NOTES :
1. 一般公差 : ±0.4
GENERAL TOLERANCES: ±0.4

OVERALL TIN 0.88μmin	39000342	2478TL	LOOSE
OVERAL COPPER 0.54μmin	39000286	2478T	CHAIN
ニッケル下地 2 μmMIN.	39-00-0344	2478GL	バラ状 LOOSE
金 0.35 μmMIN.	39-00-0343	2478G	チェーン状 CHAIN
GOLD 0.35 μmMIN. OVER			
NICKEL 2 μmMIN.			
メッキ PLATING	EDP NO.	ENG.NO.	形状 FORM

MATERIAL
BRASS t = 0.254

ENTER DESCRIPTION	DATE	DESCRIPTION
EC NO: I2010-0695	2010/06/23	
DRWN: SNS01	1996/01/30	
CHKD: HIRAMOT	2010/07/28	
APPR: KPRASAD		

QUALITY SYMBOLS	GENERAL TOLERANCES (UNLESS SPECIFIED)	
	mm	INCH
▽=0	4 PLACES ± 0.2	± ---
∇=0	3 PLACES ± 0.25	± ---
	2 PLACES ± 0.3	± ---
	1 PLACE ± 0.01	± ---
	ANGULAR ± 3 °	

DIMENSION STYLE		SCALE	DESIGN UNITS
MM ONLY		10:1	METRIC
DRAWN BY	DATE	TITLE	
HHASEGAW	1993/04/23	STD KK CRIMP REC	
CHECKED BY	DATE		
HIRAMOT	1996/01/30		
APPROVED BY	DATE		
MFUKUSHI	1996/01/30		
MATERIAL NO.	DOCUMENT NO.		
SEE CHART	SD-2478*		

THIRD ANGLE PROJECTION	
MOLEX INCORPORATED	
SIZE A3	SHEET NO. 1 OF 1
THIS DRAWING CONTAINS INFORMATION THAT IS PROPRIETARY TO MOLEX INCORPORATED AND SHOULD NOT BE USED WITHOUT WRITTEN PERMISSION	

9 8 7 6 5 4 3 2 1