



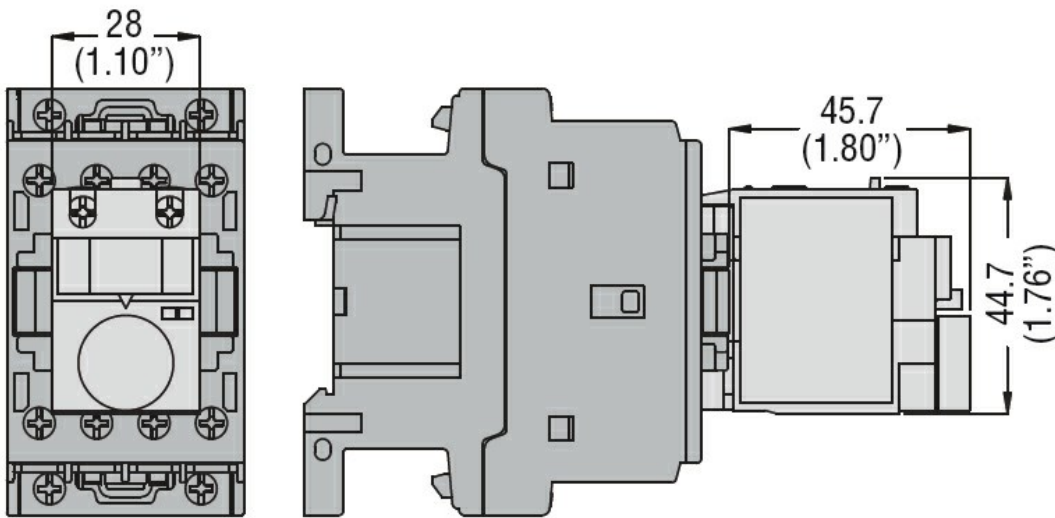
Mechanical features

Fixing Front centre mounting

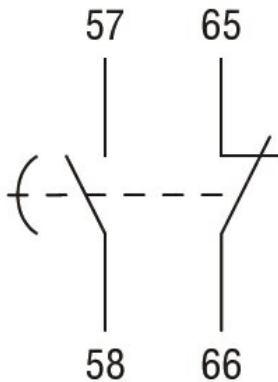
Auxiliary contact characteristics

Type of contact 1NO + 1NC

Dimensions



Wiring diagrams



Certifications and compliance

Compliance	CSA C22.2 n° 60947-1
	CSA C22.2 n° 60947-5-1
	IEC/EN 60947-1
	IEC/EN 60947-5-1
	UL 60947-1
	UL 60947-5-1

Certificates	CCC
--------------	-----

CSA

cURus

EAC

ETIM classification

ETIM 8.0

EC002498 -
Accessories/spare
parts for low-
voltage switch
technology