

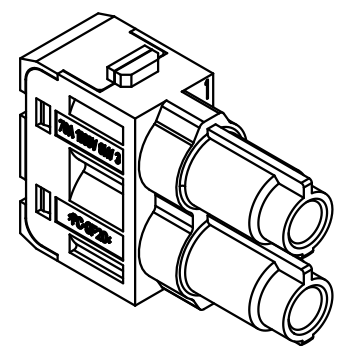
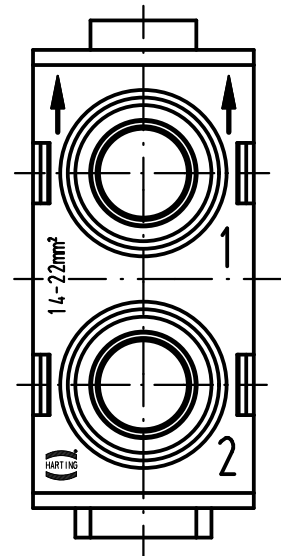
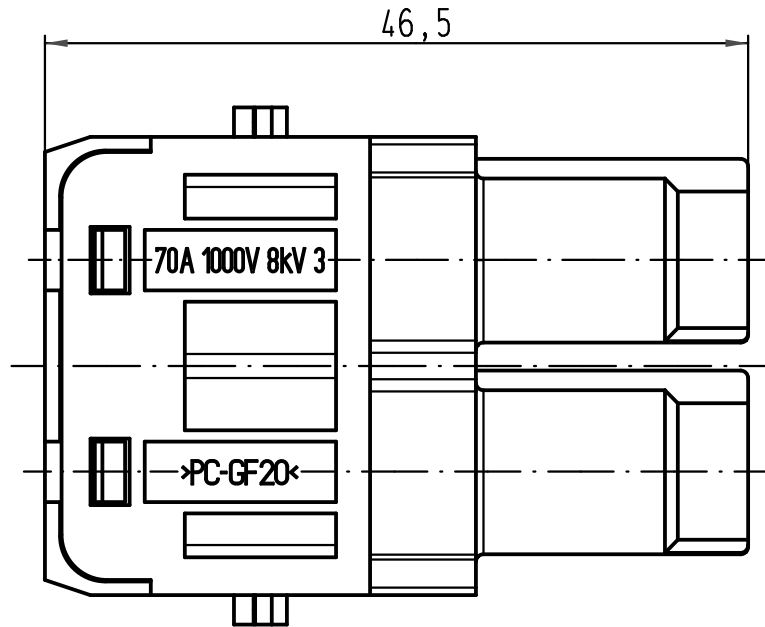
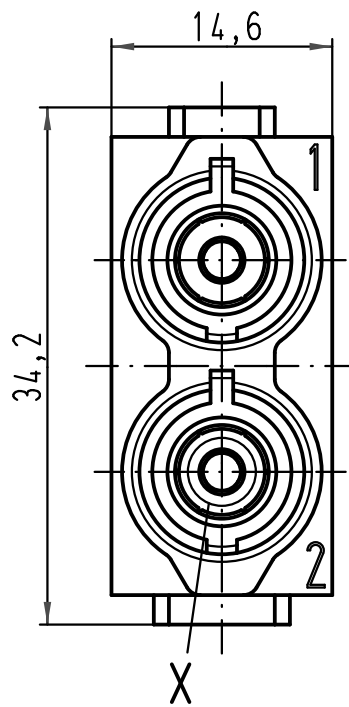
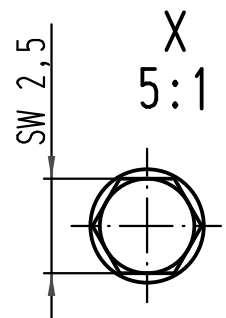
1 2 3 4 5 6

A

B

C

D



|   |      |                                |                   |      |  |   |
|---|------|--------------------------------|-------------------|------|--|---|
| All Dimensions in mm<br>Original Size DIN A 4 |      | Techn. Character.              |                   |      | Nicht tolerierte Masse/ Free size tolerances |   |
|   |      |                                | Dat.              | Name | Massstab/ Scale<br><b>2:1</b><br>5:1         | <b>Han-Axialschraub-Modul/</b><br><i>Han axial screw-module</i><br>Buchseneinsatz (F)/female insert (F) |
|   |      | Detail.                        | 30.01.07          | Ho   |  |   |
|   |      | Insp.                          |                   | Ole  |  |   |
|   |      | Stand.                         |                   |      |  |   |
| 412463  |      | HARTING Electric GmbH & Co. KG |                   |      |  | <b>TB 09 14 002 2742</b>  |
| Mod.  | Dat. | Name                           | D-32339 Espelkamp |      |  |   |
|   |      |                                |                   |      | Sub.   |   |