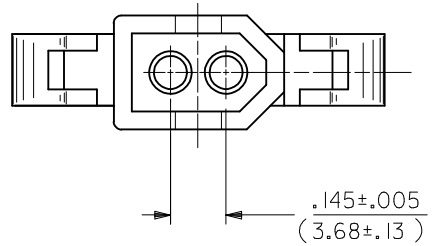
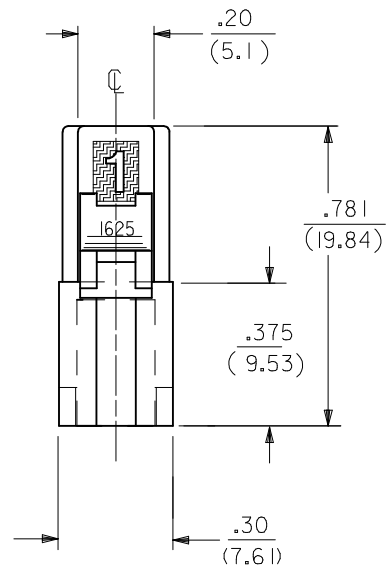
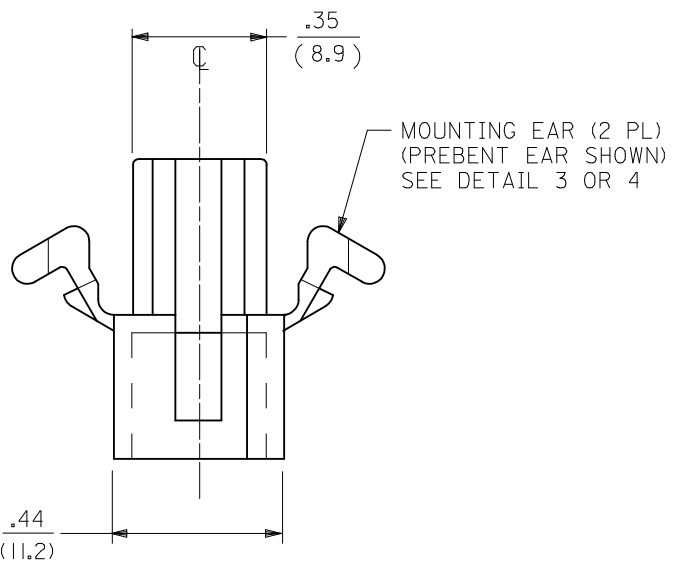
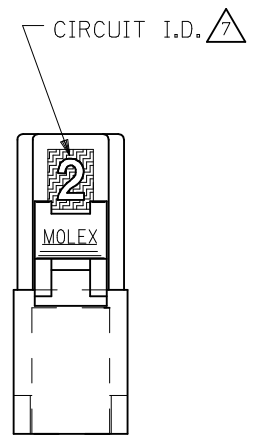
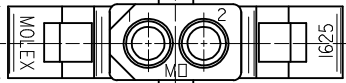


PLUG HOUSING



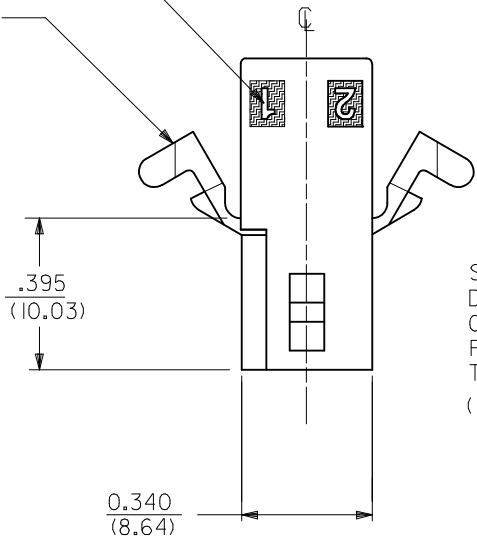
CORRECT .194 DIM. EC NO: UCP2015-0569 DRAWN:KIPPER 2014/08/15 CHKD:JBELL 2014/08/15 APPR:FSMITH 2014/08/29	DESCRIPTION REV	QUALITY SYMBOLS	GENERAL TOLERANCES (UNLESS SPECIFIED)		DIMENSION STYLE	SCALE	DESIGN UNITS	THIRD ANGLE PROJECTION		
		$\nabla = 0$ $\nabla = 0$ $\nabla = 0$			IN/MM	4:1	INCH	TITLE PLUG AND RECEPTACLE 2 CIRCUIT HOUSINGS .062/(1.57) DIA. molex DOCUMENT NO. SD-1625-2* SHEET NO. 1 OF 3		
			4 PLACES	± ---	± ---	DRAWN BY	DATE			
			3 PLACES	± ---	± .007	CHECKED BY	DATE			
2 PLACES	± 0.18		± .010	RW	1988/04/13					
1 PLACE	± 0.25	± ---	APPROVED BY	DATE	MATERIAL NO.		THIS DRAWING CONTAINS INFORMATION THAT IS PROPRIETARY TO MOLEX INCORPORATED AND SHOULD NOT BE USED WITHOUT WRITTEN PERMISSION			
0 PLACE	± ---	± ---	RAS	1988/04/13	SEE CHART					
ANGULAR ± 1 °		DRAFT WHERE APPLICABLE MUST REMAIN WITHIN DIMENSIONS		SIZE						

.187
(4.75)



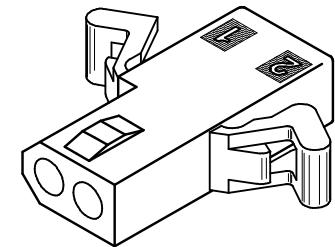
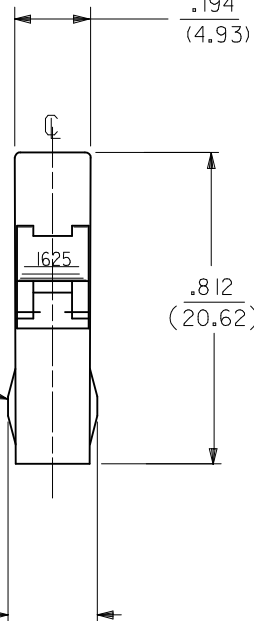
△ 7 CIRCUIT I.D.

MOUNTING EAR (2 PL)
(WHEN SPECIFIED)
SEE DETAIL 3 OR 4

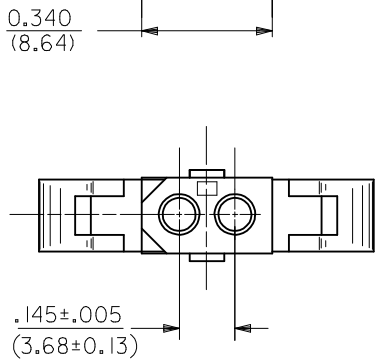


STANDARD
DETENT SHOWN.
OPTIONAL
POSITIVE LOCK
THIS SIDE ONLY
(SEE NOTE △ 5)

.194
(4.93)

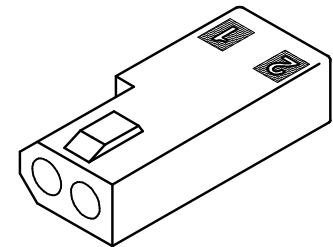


RECEPTACLE HOUSING
(1625-2R2 SHOWN)



OPTIONAL POSITIVE LOCK

ONE SIDE ONLY
SCALE 4:1



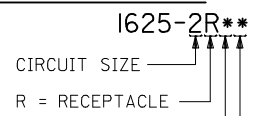
RECEPTACLE HOUSING
(1625-2R3 SHOWN)

SEE SHEET 1 SEC NO: UCP2015-0569 DRAWN: KIPPER 2014/08/15 CHKD: BELL 2014/08/15 APPR: FSMITH 2014/08/29	QUALITY SYMBOLS ▽=0 ▽=0 ▽=0	GENERAL TOLERANCES (UNLESS SPECIFIED)		DIMENSION STYLE IN/MM	SCALE 4:1	DESIGN UNITS INCH	THIRD ANGLE PROJECTION	
		4 PLACES ± --- ± ---	3 PLACES ± --- ± .007	DRAWN BY JJS	DATE 1988/04/13	TITLE PLUG AND RECEPTACLE 2 CIRCUIT HOUSINGS .062/(1.57) DIA.		
		2 PLACES ± 0.18 ± .010	1 PLACE ± 0.25 ± ---	CHECKED BY RW	DATE 1988/04/13	molex		
		0 PLACE ± --- ± ---	APPROVED BY RAS		DATE 1988/04/13			
REV	DESCRIPTION	ANGULAR ± 1 °		MATERIAL NO.	DOCUMENT NO.	SHEET NO.		
AF1		DRAFT WHERE APPLICABLE MUST REMAIN WITHIN DIMENSIONS		SEE CHART	SD-1625-2*	2 OF 3		
SIZE THIS DRAWING CONTAINS INFORMATION THAT IS PROPRIETARY TO MOLEX INCORPORATED AND SHOULD NOT BE USED WITHOUT WRITTEN PERMISSION								

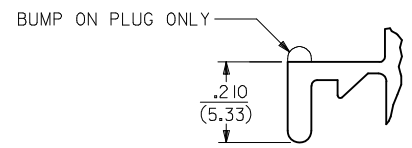
PLUG	
PART NO.	ENG. NO.
03-06-7023	I625-2P1BK
03-06-2023	I625-2P1
03-06-7027	I625-2P2BK
03-06-2024	I625-2P2

RECEPTACLE		
PART NO.	ENG. NO.	
03-06-6023	I625-2R1BK	
03-06-1020	I625-2R3	OBSOLETE
03-06-1023	I625-2R1	
03-06-1022	I625-2R2	
03-06-6025	I625-2R2RD	OBSOLETE
03-06-6026	I625-2R2GN	OBSOLETE
03-06-6027	I625-2R2BU	OBSOLETE
03-06-6022	I625-2R2BK	OBSOLETE
03-06-6028	I625-2R1BU	OBSOLETE

RECEPTACLE LEGEND:



BLANK = WITH STANDARD MOUNTING EARS; WITH DETENTS
 1 = WITHOUT MOUNTING EARS; WITH DETENTS
 2 = WITH PREBENT MOUNTING EARS; WITH DETENTS
 3 = W/O MOUNTING EARS, WITH POSITIVE LOCK

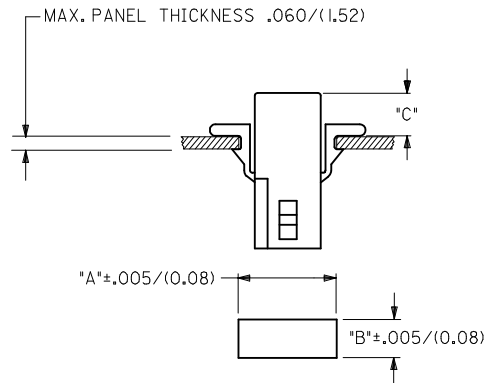


PLUG LEGEND:



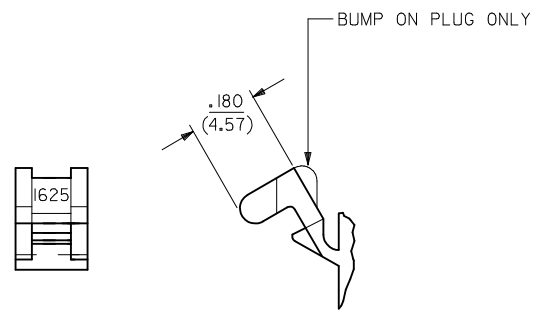
1 = WITHOUT MOUNTING EARS
 2 = WITH PREBENT MOUNTING EARS
 3 = W/O MOUNTING EARS, WITH POSITIVE LOCK

BLANK = NATURAL
 AM=AMBER BK=BLACK BU=BLUE
 BN=BROWN GY=GRAY GN=GREEN
 OR=ORANGE RD=RED YW=YELLOW



RECOMMENDED HOLE PATTERN
(NOT TO SCALE)

HOUSING	DIM. "A"	DIM. "B"	PREBENT EAR DIM. "C"	STD. EAR DIM. "C"
PLUG	.609 (15.47)	.318 (8.08)	.24 (6.0)	.24 (6.1)
RECEPTACLE	.505 (12.83)	.265 (6.73)	.25 (6.4)	.25 (6.4)



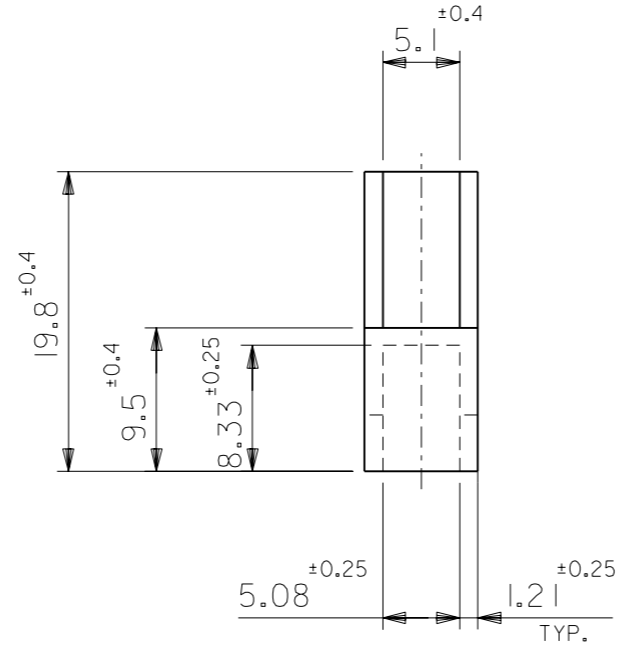
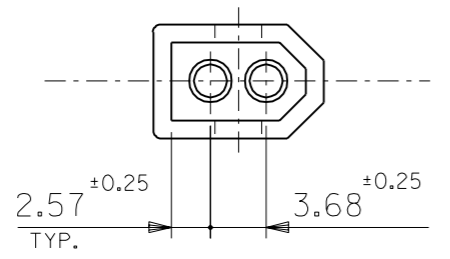
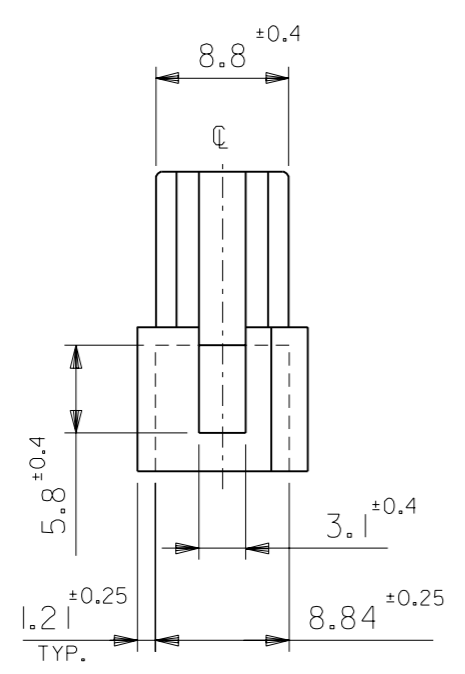
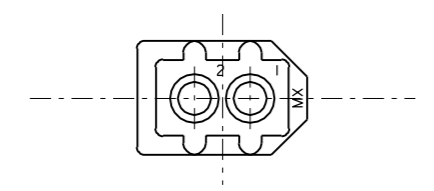
DETAIL 4

PREBENT MOUNTING EARS

- NOTES:
- MATERIAL - NYLON TYPE 6/6, 94V-2
 - FINISH: NONE
 - PRODUCT SPECIFICATION: PS-02-06
 - PACKAGING SPECIFICATION: PK-1625-003.
 - POSITIVE LOCK VERSION REQUIRES USE OF A SCREWDRIVER OR SIMILAR TOOL TO LIFT SHROUD ON PLUG HOUSING IN ORDER TO UNMATE RECEPTACLE HOUSINGS
 - HOUSINGS FOR USE WITH MOLEX .062/(1.57) DIA. SERIES TERMINALS.
 - CIRCUIT I.D. NUMBERS ON SIDE OF HOUSING APPEAR ON PARTS FROM TOOLS BUILT AFTER 07/01/1991.
 - THIS PART CONFORMS TO CLASS B REQUIREMENTS OF COSMETIC SPECIFICATION PS-45499-002.

SEE SHEET 1 EC NO: UCP2015-0569 DRW:MK1PPER 2014/08/15 CHKD:JBELL 2014/08/15 APPR:FSMITH 2014/08/29	QUALITY SYMBOLS 	GENERAL TOLERANCES (UNLESS SPECIFIED)		DIMENSION STYLE IN/MM	SCALE 4:1	DESIGN UNITS INCH	THIRD ANGLE PROJECTION
		4 PLACES ± --- ± --- 3 PLACES ± --- ± .007 2 PLACES ± 0.18 ± .010 1 PLACE ± 0.25 ± --- 0 PLACE ± --- ± ---	DRAWN BY JJS DATE 1988/04/13	TITLE PLUG AND RECEPTACLE 2 CIRCUIT HOUSINGS .062/(1.57) DIA.			
		ANGULAR ± 1 °	CHECKED BY RW DATE 1988/04/13	molex			
		DRAFT WHERE APPLICABLE MUST REMAIN WITHIN DIMENSIONS	APPROVED BY RAS DATE 1988/04/13	MATERIAL NO. SEE CHART	DOCUMENT NO. SD-1625-2*	SHEET NO. 3 OF 3	

DWG. NO. SD-1625-2P1



注記
NOTE

材質: ナイロン66, 94V-2
MATERIAL: NYLON66, 94V-2

DIMENSIONS IN METRIC DO NOT SCALE DRAWING

角度 ANGLE	±3°								
30 以上 OVER	±0.3								
10 以上 30 未満 OVER UNDER	±0.25	E	REVISED	(JC90389)	S.K.	M.F.	'98/12/23		
10 未満 UNDER	±0.2	D	再作図 REDRAWN	(JC70302)	H.I.	M.F.	'96/07/08		
一般公差 GENERAL TOLERANCES		記号 LTR	変更内容 REVISION RECORD		DR. CHK.	日付 DATE			

材料 MATERIAL	☑中参照 REFER TO DRAWING	
仕上げ FINISH	—	
適用電線範囲 WIRE RANGE	—	
被覆外径 INS. RANGE	—	
DRAWN BY '98/12/23	CHK'D BY '98/12/23	
H.IIJIMA	S.KUNISHI	
APP'D BY '98/12/23	尺度 SCALE 2 : 1	
M.FUKUSHIMA		

1625-2P1	03-06-2023
ENG NO.	PART NO.

MOLEX-JAPAN CO.,LTD. 日本モレックス株式会社	
REVISE ONLY ON CAD SYSTEM	
TITLE 名称 .062 DIA. 2 CIRCUIT PLUG HOUSING	
DWG. NO. SD-1625-2P1	REV E