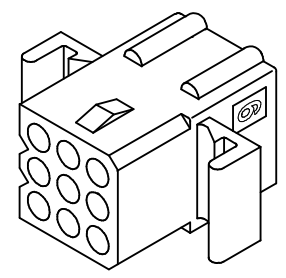
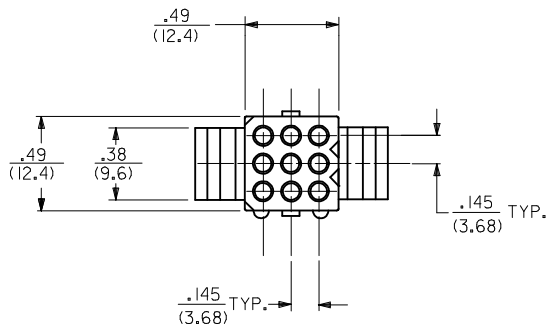
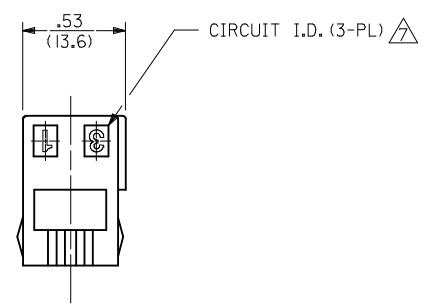
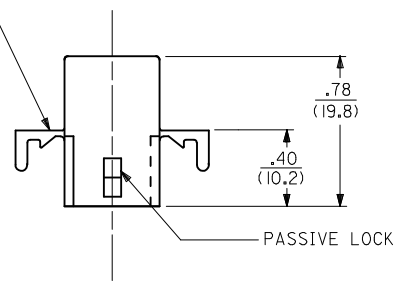
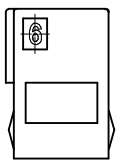


OPTIONAL MOUNTING EARS
SEE DETAIL 3 OR 4
FOR VERSIONS AVAILABLE



RECEPTACLE

UPDATE REV. LEVEL EC NO: UCP2010-0585 DRWN:TBENES 2009/09/04 CHKD: 2009/09/10 APPR:FSMLTH 2009/09/15	QUALITY SYMBOLS ▽=0 ▽=0	GENERAL TOLERANCES (UNLESS SPECIFIED)		DIMENSION STYLE IN/MM	SCALE 1:1	DESIGN UNITS INCH	THIRD ANGLE PROJECTION		
		4 PLACES ± --- ± --- 3 PLACES ± --- ± .010 2 PLACES ± 0.25 ± .014 1 PLACE ± 0.36 ± ---	mm INCH	DRAWN BY DATE JJS 1988/02/05	CHECKED BY DATE RW 1988/02/05	TITLE .062/(1.57) HOUSINGS, PLUG AND RECEPTACLE, 9 CKT., .145/(3.68) CTRS			
		ANGULAR ± 1/2°		APPROVED BY DATE RAS 1988/02/05	MOLEX MOLEX INCORPORATED				
		DRAFT WHERE APPLICABLE MUST REMAIN WITHIN DIMENSIONS		MATERIAL NO. SEE CHART	DOCUMENT NO. SD-1625-9*	SHEET NO. 2 OF 3			

PLUG	
PART NO.	ENG. NO.
03-06-2091	1625-9P
03-06-2092	1625-9P1
23-06-2091	1625-9P-C
23-06-2092	1625-9P1-C
04-06-6091	1625-9P1-B
03-06-7091	1625-9PBK
03-06-7092	1625-9PIBK
	OBSOLETE

RECEPTACLE	
PART NO.	ENG. NO.
03-06-1091	1625-9R
03-06-1092	1625-9R1
23-06-1091	1625-9R-C
23-06-1092	1625-9R1-C
03-06-6091	1625-9RBK
03-06-6092	1625-9RIBK
50-36-1871	1625-9R4
50-36-1872	1625-9R4-C

LEGEND:

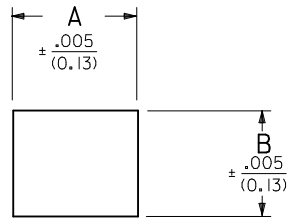
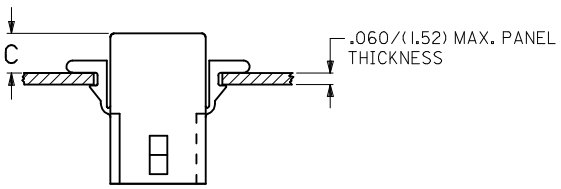
1625-****-*

CIRCUIT SIZE
P = PLUG
R = RECEPTACLE

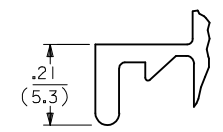
MOUNTING EAR & DETENT COMBINATIONS:
BLANK=PLUG OR RECEPTACLE WITH STANDARD EARS
1=PLUG OR RECEPTACLE WITHOUT EARS
4=PLUG OR RECEPTACLE WITH PREBENT EARS

BLANK = NATURAL COLOR
AM = AMBER BK = BLACK BU = BLUE
BN = BROWN GY = GRAY GN = GREEN
OR = ORANGE RD = RED YW = YELLOW

MATERIAL: A=MATERIAL CODE A
B=MATERIAL CODE B
C=MATERIAL CODE C



RECEP.	.650 (16.51)	.552 (14.02)	.21 (5.3)	.22 (5.6)
PLUG	.752 (19.10)	.615 (15.62)	.20 (5.1)	.21 (5.3)
PART	DIM. A	DIM. B	DIM. C (STANDARD EAR)	DIM. C (PREBENT EAR)

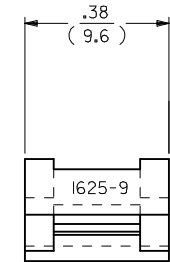


DETAIL 3
STANDARD MOUNTING EAR
(SCALE 4:1)

RECOMMENDED HOLE PATTERN

NOTES:

- MATERIAL CODES:
A-NYLON TYPE 6/6, 94V-2
B-NYLON TYPE 6/6, 94V-0
C-POLYPROPYLENE, 94V-0
 - FINISH: NONE
 - PRODUCT SPECIFICATION: PS-02-06
 - PACKAGING SPECIFICATION: PK-1625-001
 - HOUSINGS OF USE WITH MOLEX .062 DIAMETER TERMINALS.
- △ SOME PARTS MAY HAVE THIS CORNER CHAMFERED.
- ▽ ETCHED CIRCUIT I.D. NUMBERS ON HOUSING MAY OR MAY NOT BE PRESENT.
- PARTS CONFORM TO CLASS B REQUIREMENTS OF COSMETIC SPECIFICATION PS-45499-002.



DETAIL 4
PREBENT MOUNTING EAR
(SCALE 4:1)

RE-INSTATE 1625-9R EC NO: UCP2010-0585 DRWN:RBENES 2009/09/04 CHKD:JBELL 2009/09/10 APPR:FSMITH 2009/09/15	QUALITY SYMBOLS ▽=0 ▽=0	GENERAL TOLERANCES (UNLESS SPECIFIED)		DIMENSION STYLE IN/MM	SCALE 1:1	DESIGN UNITS INCH	THIRD ANGLE PROJECTION		
		4 PLACES ± --- ± --- 3 PLACES ± --- ± .010 2 PLACES ± 0.25 ± .014 1 PLACE ± 0.36 ± ---	mm INCH ± --- ± --- ± .010 ± .014 ± 0.25 ± 0.36	DRAWN BY JJS	DATE 1988/02/12	TITLE .062/(1.57) HOUSINGS, PLUG AND RECEPTACLE, 9 CKT., .145/(3.68) CTRS			
		ANGULAR ± 1°		CHECKED BY RW	DATE 1988/02/12	MOLEX INCORPORATED			
		DRAFT WHERE APPLICABLE MUST REMAIN WITHIN DIMENSIONS		APPROVED BY RAS	DATE 1988/02/12	MATERIAL NO. SEE CHART	DOCUMENT NO. SD-1625-9*	SHEET NO. 3 OF 3	

THIS DRAWING CONTAINS INFORMATION THAT IS PROPRIETARY TO MOLEX INCORPORATED AND SHOULD NOT BE USED WITHOUT WRITTEN PERMISSION