

PLEASE CHECK WWW.MOLEX.COM FOR LATEST PART INFORMATION

Part Number: [43030-0003](#)
Status: **Active**
Overview: Micro-Fit 3.0™ Connectors
Description: Micro-Fit 3.0™ Crimp Terminal, Female, with Select Gold (Au) Plated Phosphor Bronze Contact, 20-24 AWG, Reel

Documents:

3D Model	Test Summary TS-43045-002 (PDF)
Drawing (PDF)	RoHS Certificate of Compliance (PDF)
Product Specification PS-43045 (PDF)	Product Literature (PDF)

General

Product Family	Crimp Terminals
Series	43030
Application	Power
Crimp Quality Equipment	Yes
Overview	<u>Micro-Fit 3.0™ Connectors</u>
Packaging Alternative	43030-0009 (Loose)
Product Literature Order No	987650-5984
Product Name	Micro-Fit 3.0™
UPC	800754369169

Physical

Gender	Female
Material - Metal	Phosphor Bronze
Material - Plating Mating	Gold
Material - Plating Termination	Tin
Net Weight	0.062/g
Packaging Type	Reel
Plating min - Mating	0.762µm
Plating min - Termination	2.540µm
Termination Interface: Style	Crimp or Compression
Wire Insulation Diameter	1.85mm max.
Wire Size AWG	20, 22, 24
Wire Size mm²	N/A

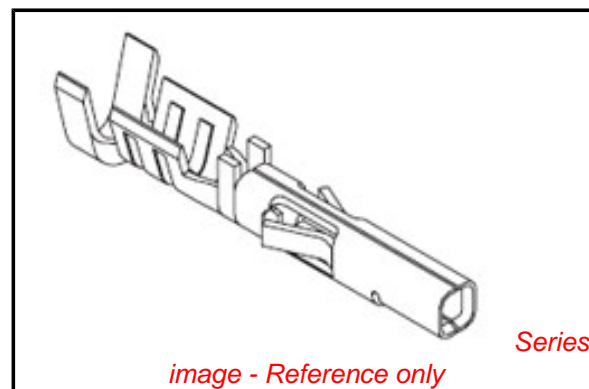
Electrical

Current - Maximum per Contact	5A
-------------------------------	----

Material Info

Reference - Drawing Numbers

Product Specification	PS-43045, RPS-43045-003, RPS-43045-004
Sales Drawing	SD-43030-****
Test Summary	TS-43045-002



EU RoHS

ELV and RoHS Compliant
REACH SVHC Contains SVHC: No
Low-Halogen Status Low-Halogen

China RoHS



Need more information on product environmental compliance?

Email productcompliance@molex.com
 For a multiple part number RoHS Certificate of Compliance, [click here](#)

Please visit the [Contact Us](#) section for any non-product compliance questions.

Search Parts in this Series

[43030Series](#)

Mates With

[43031](#) Micro-Fit 3.0™ Male Crimp Terminals

Use With

[43025](#) , [43645](#) Micro-Fit 3.0™ Receptacle Housings, [44133](#) Micro-Fit BMI™ Panel Mount Receptacle Housings

Application Tooling | FAQ

Tooling specifications and manuals are found by selecting the products below. Crimp Height Specifications are then contained in the Application Tooling Specification document.

Global

Description	Product #
FineAdjust™ Applicator for Insulation OD 1.30-1.85mm, 20-24 AWG Wire	0639004500

FineAdjust™ Applicator for Insulation OD 0.91-1.09mm - 20-24 AWG	<u>0639018900</u>
T2 Terminator™ for insulation OD 1.30-1.85mm - 20-24 AWG	<u>0639104500</u>
T2 Terminator™ for insulation OD 1.10-1.30mm - 20-24 AWG	<u>0639118800</u>
T2 Terminator™ for insulation OD 0.91-1.09mm - 20-24 AWG	<u>0639118900</u>
Hand Crimp Tool FineAdjust™ Applicator for Insulation OD 1.10-1.30mm - 20-24 AWG	<u>0638190000</u> <u>0639018800</u>
Extraction Tool	<u>0011030043</u>
Insertion Tool for Crimp Terminal	<u>0638120800</u>
Japan	
Description	Product #
Applicator for M21 1A Bench Press, 20-30 AWG Wire	<u>0572983000</u>

This document was generated on 02/13/2015

PLEASE CHECK WWW.MOLEX.COM FOR LATEST PART INFORMATION