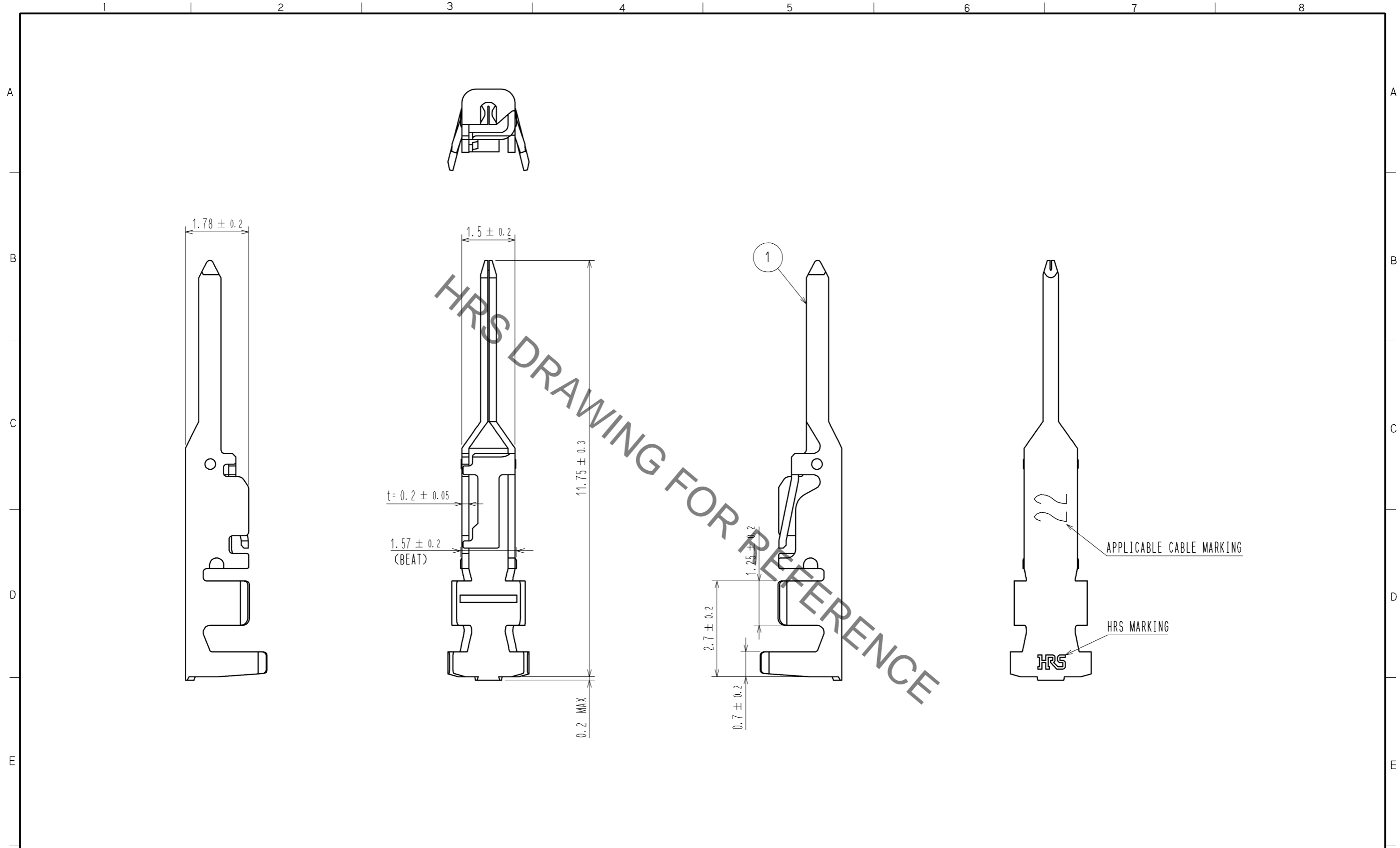


Sep.1.2019 Copyright 2019 HIROSE ELECTRIC CO., LTD. All Rights Reserved.
 In case of consideration for using Automotive equipment / device which demand high reliability, kindly contact our sales window correspondents.



NOTE 1. 1PACK:100 CONTACTS

NO.		MATERIAL		FINISH . REMARKS		1	PHOSPHOR BRONZE	TIN PLATING 1μm MIN			
UNITS mm		SCALE 10:1		COUNT		DESCRIPTION OF REVISIONS		DESIGNED	CHECKED	DATE	
HIROSE ELECTRIC CO., LTD.		APPROVED : KI. AKIYAMA		14. 04. 26		DRAWING NO.		EDC3-352027-00			
		CHECKED : KI. AKIYAMA		14. 04. 26		PART NO.		DF62-EP22PC			
		DESIGNED : TS. KUMAZAWA		14. 04. 25		CODE NO.		CL544-0575-8-00			
		DRAWN : TS. KUMAZAWA		14. 04. 25							
										1/1	