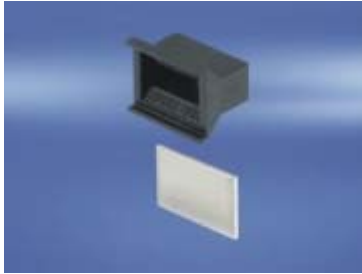


Trapeziform handle, black (without extraction function)



Part no.: 20809-397

Features:

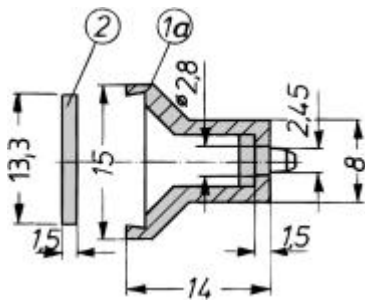
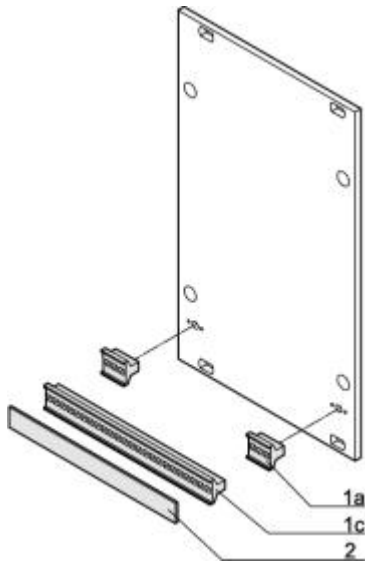
- With separate identification plate
- Handles laterally closed

Standard pack quantity 5



Technical Information:

Colour	Width
black	4 HP



Product illustrations are exemplary illustrations and can deviate from supplied products.

Delivery comprises: kit

Item	Q ty	Description
1a	1	Cantilever plastic handle, PPE UL 94 V-1, black
2	1	Identification plate, Al, 1.5 mm, anodised, cut edges plain