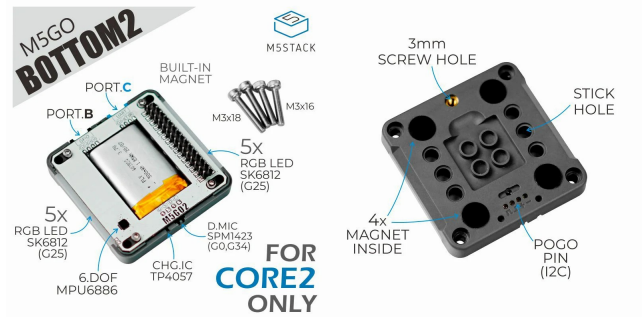


# M5GO BOTTOM2

SKU:A014-C



## Description

**M5GO BOTTOM2** is an expansion base designed for M5Core2. It integrates an MPU6886 6 axis gyro/accelerometer, digital mic(SPM1423) and 500mAh LiPo battery. The base also includes 2 HY2.0-4P expansion ports capable of ADC/DAC/UART protocols and data input/output, which allows the use of units from the M5Stack range. On either side of the base beneath a diffuser are a total of 10 programmable RGB LEDs(SK6812), which can be used as a form of notification or for impressive lighting effects. Beneath the device are a set of pogo pins which can attach to a charging base (excluded) for charging. The pogo pin connector can also be used for I2C communication, therefore if the user wants to attach or modify the base to include I2C devices they are able to do so. On the bottom of the device are an array of Lego™ compatible holes which makes integration of your Lego™ projects a breeze.

## Features

- Compatible with M5Core2
- Digital microphone
- Programmable RGB LED
- HY2.0-4P expansion ports
- Lego™ compatible
- Pogo Pin magnetic charging

## Includes

- 1x M5GO BOTTOM2
- 2x M3\*16 screws
- 2x M3\*18 screws

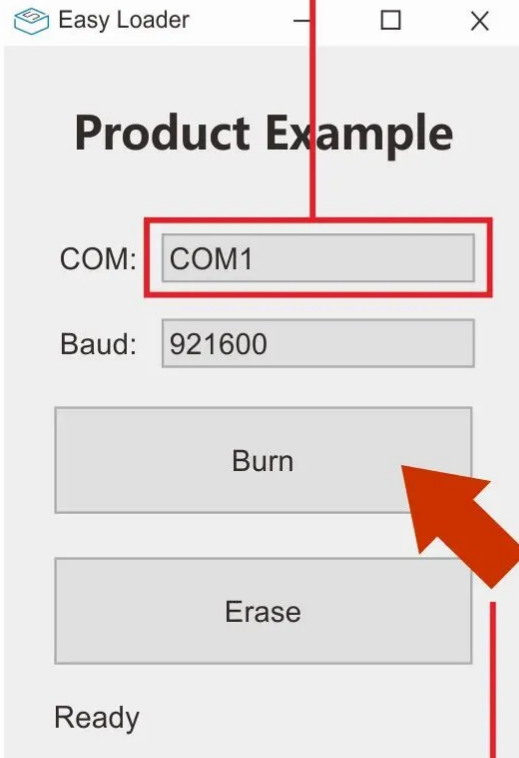
## Specifications

Resource	Parameter
Mic	SPM1423
LED	SK6812*10
IMU	MPU6886
Net Weight	31g
Gross Weight	45g
Product Dimensions	54*54*8mm
Packaging Dimensions	60*57*17mm

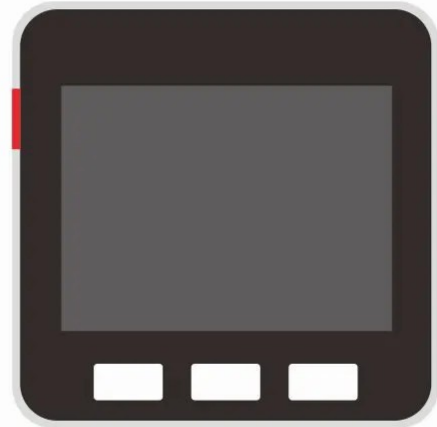
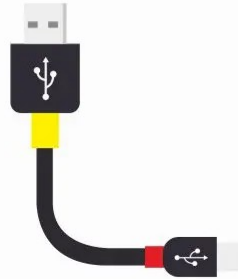
## EasyLoader

EasyLoader is a concise and fast program writer, which has a built-in case program related to the product. It can be burned to the main control by simple steps to perform a series of function verification. Please install the corresponding driver according to the device type. M5Core host [Please click here to view the CP210X driver installation tutorial](#), M5StickC/V/T/ATOM series can be used without driver)

## 2, Select COM



## 1, Downloads



Core \ M5StickC \ M5StickV...

## 3, Burn Firmware

Windows

## | Pin Mapping

### SK6812-LED Bar

ESP32 Chip	GPIO25
SK6812	DATA

### SPM1423-Mic

ESP32 Chip	GPIO34	GPIO0
SPM1423	DAT	CLK

### MPU6886 & Pogo Pin

ESP32 Chip	GPIO21	GPIO22
MPU6886	SDA	SCL
Pogo Pin	SDA	SCL

### HY2.0-4P-PortB(black)

ESP32 Chip	GPIO26	GPIO36
PortB	GPIO26(DAC)	GPIO36(ADC)

### HY2.0-4P-PortC(blue)

ESP32 Chip	GPIO13	GPIO14
PortC	GPIO13(RXD2)	GPIO14(TXD2)



G35	ADC	GND	
G36	ADC	GND	
EN	RST	GND	
G25	DAC	MOSI	G23
G26	DAC	MISO	G38
3.3V	SCK	G18	
G1	TXD0	RXD0	G3
G14	TXD2	RXD2	G13
G22	intSCL	intSDA	G21
G33	PA_SCL	PA_SDA	G32
G19	GPIO	GPIO	G27
G0	I2S_LRCK	I2S_DOUT	G2
G34	PDM_DAT	NC	
5V	NC		
BAT	NC		

## Related Links

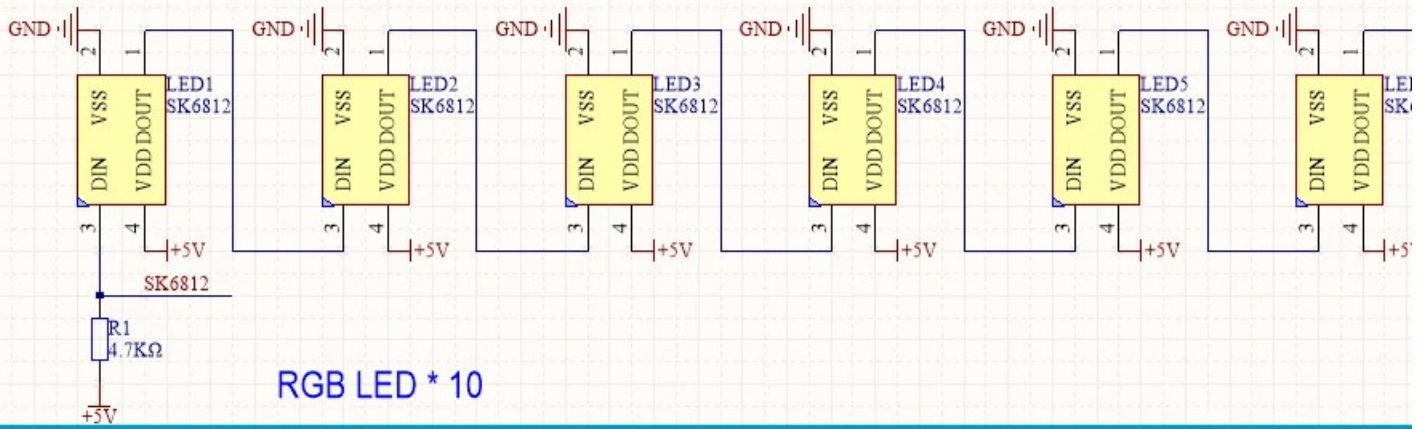
- [SPM1423](#)
- [MPU6886](#)

## Example

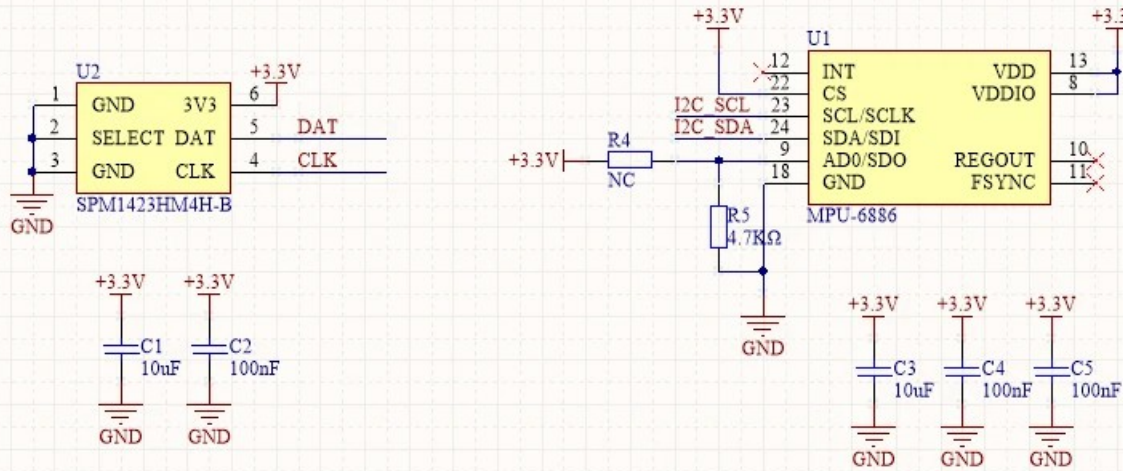
### 1. Arduino

- [Click here to download the Arduino example](#)

## Schematic



**Microphone**



**Power**

