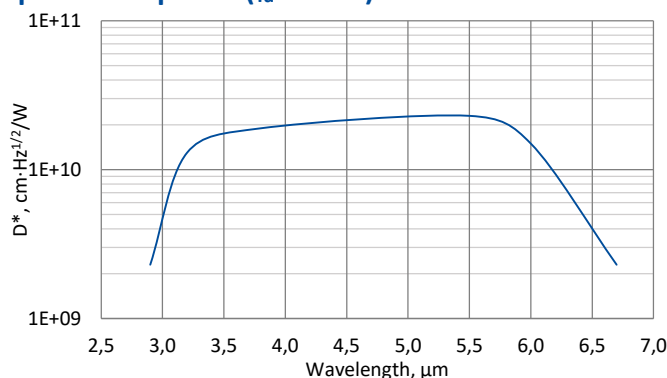


UM-I-6

3.0 – 6.7 μm and DC – 1 MHz HgCdTe universal IR detection module with optically immersed photovoltaic detector

UM-I-6 is universal „all-in-one“ IR detection module. Thermoelectrically cooled, optically immersed photovoltaic detector, based on HgCdTe heterostructure, is integrated with transimpedance, DC coupled preamplifier, a fan and a thermoelectric cooler controller in a compact housing. 3° wedged zinc selenide anti-reflection coated window prevents unwanted interference effects. UM-I-6 detection module is very convenient and user-friendly device, thus can be easily used in a variety of MWIR applications.

Spectral response ($T_a = 20^\circ\text{C}$)



Exemplary spectral detectivity, the spectral response of delivered devices may differ.



Specification ($T_a = 20^\circ\text{C}$)

PARAMETER	Typical value
Optical parameters	
Cut-on wavelength $\lambda_{\text{cut-on}}$ (10%), μm	3.0 \pm 1.0
Peak wavelength λ_{peak} , μm	5.2 \pm 0.5
Optimum wavelength λ_{opt} , μm	6.0
Cut-off wavelength $\lambda_{\text{cut-off}}$ (10%), μm	6.7 \pm 0.3
Detectivity $D^*(\lambda_{\text{peak}})$, $\text{cm}\cdot\text{Hz}^{1/2}/\text{W}$	$\geq 2.3 \times 10^{10}$
Detectivity $D^*(\lambda_{\text{opt}})$, $\text{cm}\cdot\text{Hz}^{1/2}/\text{W}$	$\geq 1.5 \times 10^{10}$
Output noise density v_n (100 kHz), $\text{nV}/\text{Hz}^{1/2}$	≤ 350
Electrical parameters	
Voltage responsivity $R_v(\lambda_{\text{peak}})$, V/W	$\geq 6.5 \times 10^4$
Voltage responsivity $R_v(\lambda_{\text{opt}})$, V/W	$\geq 3.6 \times 10^4$
Low cut-off frequency f_{lo} , Hz	DC
High cut-off frequency f_{hi} , Hz	$\geq 1\text{M}$
Output impedance R_{out} , Ω	50
Output voltage swing V_{out} , V	± 2 ($R_L = 1 \text{ M}\Omega^*$) ± 1 ($R_L = 50 \Omega^*$)
Output voltage offset V_{off} , mV	max ± 20
Power supply voltage V_{sup} , V	+5
DC monitor (approx. 0 V offset)	
Voltage responsivity $R_v(\lambda_{\text{peak}})$, V/W	$\geq 6.5 \times 10^3$
Voltage responsivity $R_v(\lambda_{\text{opt}})$, V/W	$\geq 3.6 \times 10^3$
Low cut-off frequency f_{lo} , Hz	DC
High cut-off frequency f_{hi} , Hz	150k
Other information	
Active element material	epitaxial HgCdTe heterostructure
Optical area A_o , $\text{mm}\times\text{mm}$	1 \times 1
Window	wedged zinc selenide AR coated (wZnSeAR)
Acceptance angle Φ	$\sim 36^\circ$
Ambient operating temperature T_a , $^\circ\text{C}$	10 to 30
Signal output socket	SMA
DC monitor socket	SMA
Power supply socket	DC 2.5/5.5
Mounting hole	M4
Fan	yes

Features

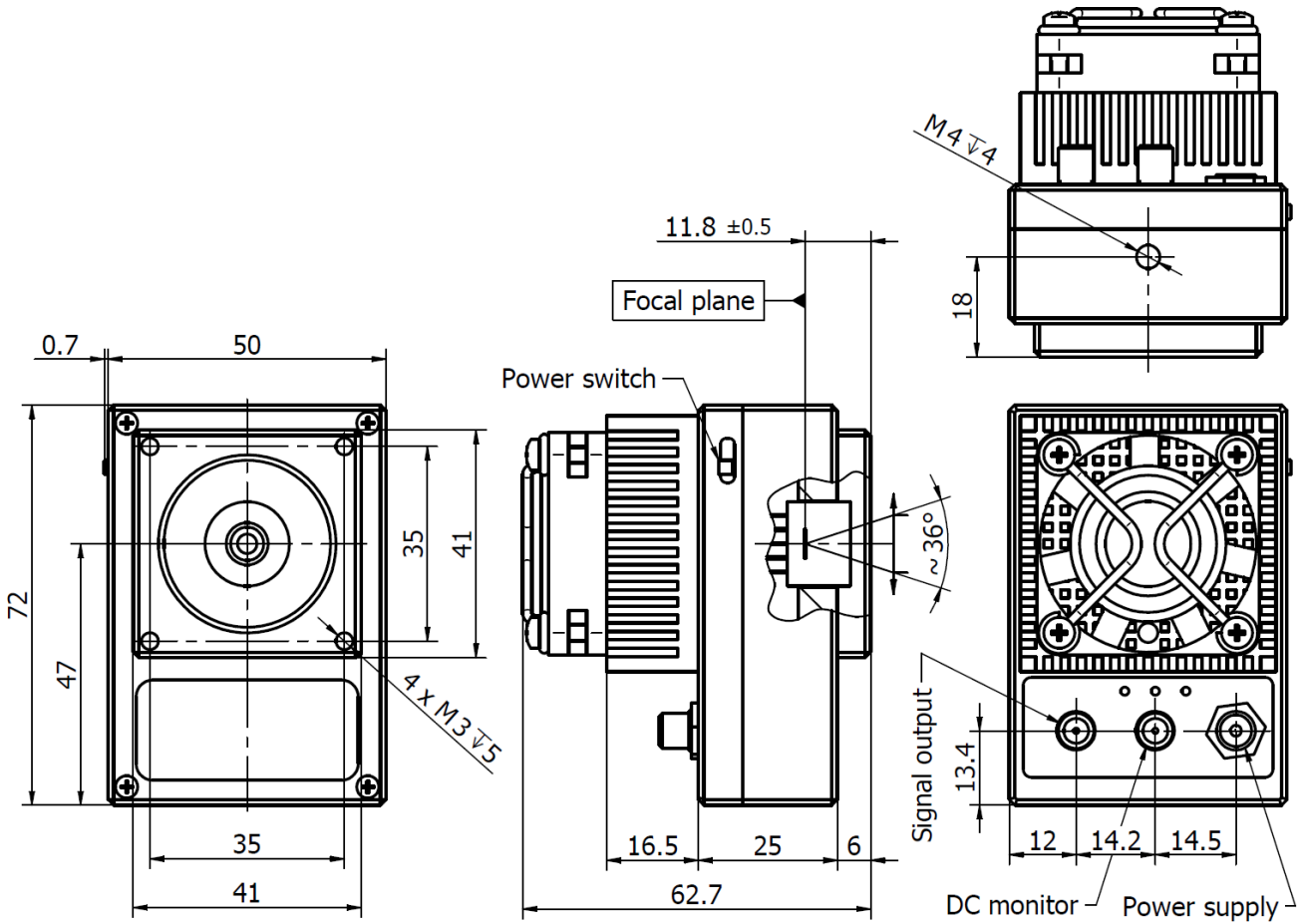
- Integrated TEC controller and fan
- Single power supply
- DC monitor
- Optimised for effective heat dissipation
- Compatible with optical accessories
- Cost effective OEM version available
- Universal and flexible
- Quantity discounted price
- Fast delivery

Applications

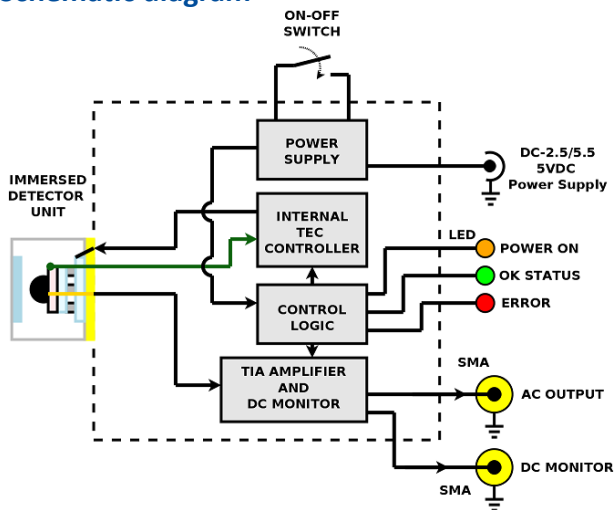
- Gas detection, monitoring and analysis (CO , CO_2 , NH_3 , NO_x)
- Flue gas denitrification
- Fuel combustion monitoring at power plants and other industrial facilities
- Contactless temperature measurements

^{*)} R_L – load resistance

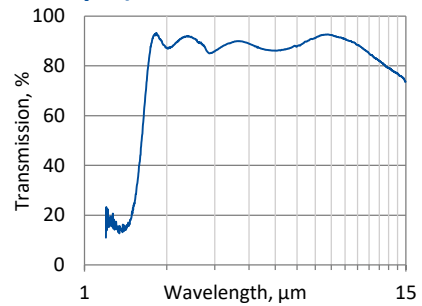
Mechanical layout, mm



Schematic diagram



Spectral transmission of wZnSeAR window (typical example)



Included accessories

- 2x SMA-BNC cables + AC adaptor

Dedicated accessories

- OTA optical threaded adapter
- DRB-2 base mounting system