

6

5

4

3

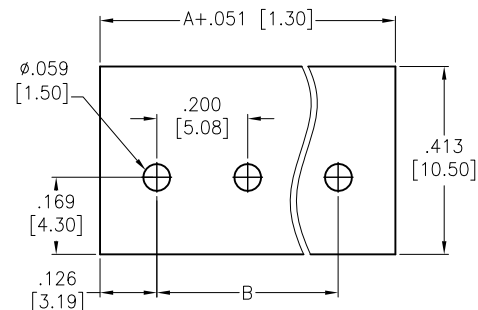
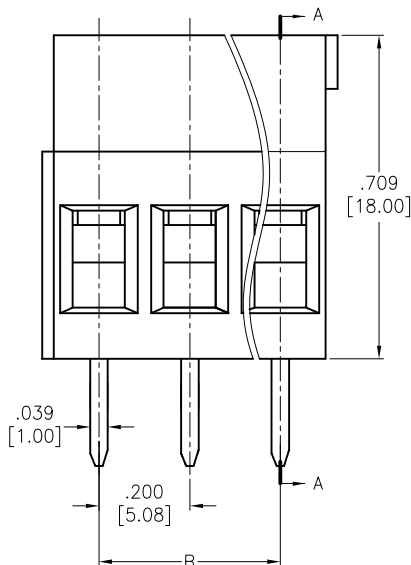
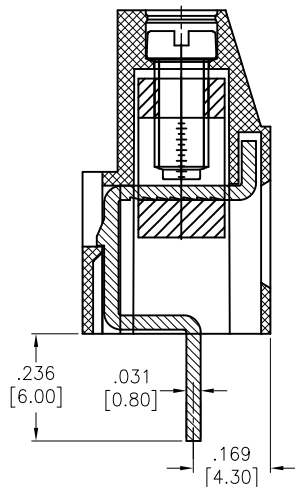
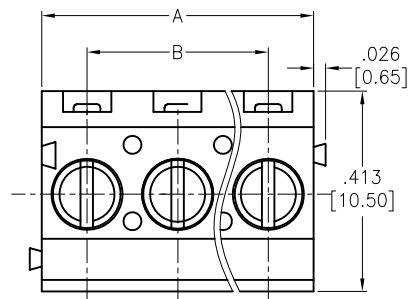
2

1

APPROVED: \_\_\_\_\_

DATE: \_\_\_\_\_ TITLE: \_\_\_\_\_

Rev	AWO #	Description	Date	Appr
-		RELEASED	9/10/13	



RECOMMENDED PCB LAYOUT

**SPECIFICATIONS:**

Material:  
 Insulator: PA66, rated UL 94V-0  
 Insulator color: Green  
 Screw: Steel, M3.0/Zinc plated  
 Cage: Brass, Nickel plated  
 Pin Header: Brass, Tin plated

Electrical:  
 Voltage rated: 300 VAC  
 Current rated: 16 Amps  
 Contact resistance: 20 mΩ  
 Insulation resistance: 500 MΩ @ 500 VDC  
 Withstanding voltage: 2000V AC/1 Min

Mechanical:  
 Solid wire: 26-12AWG 2.5mm<sup>2</sup>  
 Torque (Lb-In): 0.5Nm (4.5lb-in)  
 Strip length: 6-7mm  
 Temperature Rating:  
 Operating temperature: -40°C to +105°C

Environmental:  
 Lead free, RoHS compliant.



Positions: 02 thru 24

A = .200 [5.08] x No. of Positions

B = .200 [5.08] x No. of Spaces

UNLESS OTHERWISE SPECIFIED  
 ALL DIMENSIONS ARE INCHES [MM]  
 TOLERANCES: EXCEPT AS NOTED

INCHES	HOLES
.X ± .10	Ø.X ± .10
.XX ± .020	Ø.XX ± .015
.XXX ± .015	Ø.XXX ± .010

**ADAM TECH**

909 Rahway Avenue, Union, NJ 07083  
 Phone: 908-687-5000 Fax: 908-687-5710

TITLE: EURO BLOCK, .200 [5.08] PITCH

APPROVALS		DATE
DRAWN	AY	7/9/14
CHECKED	SY	7/9/14
APPROVED		

SIZE	PART NO.	REV.
X	EB147A-XX-D	-
REF:	S00067C	SCALE: NTS
		SHEET 1 OF 1

6

5

4

3

2

1