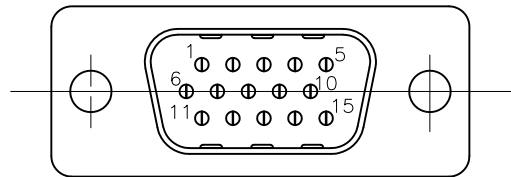
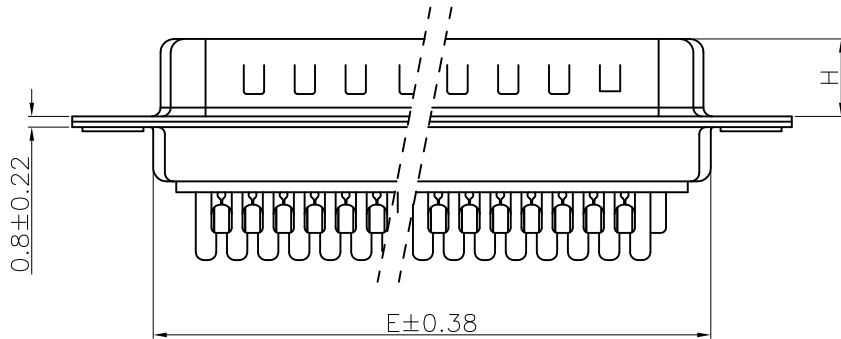


FOR 26/44/62P



FOR 15P

POS.	PART NO.	A	B	C	D	E	H
15	10090769-P154ALF	30.81	24.99	16.92	2.29	19.10	5.90 <sup>+0.25</sup>
26	10090769-P264ALF	39.24	33.32	25.25	2.29	27.75	5.90 <sup>+0.25</sup>
44	10090769-P444ALF	53.04	47.04	38.96	2.29	41.30	5.70 <sup>+0.25</sup>
62	10090769-P624ALF	69.32	63.50	55.42	2.41	57.40	5.70 <sup>+0.25</sup>

REMARK:

1. CHARACTERISTICS:

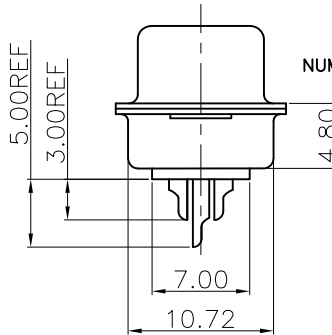
RATED VOLTAGE: 250V  
 RATED CURRENT: 2.5AMP  
 CONTACT RESISTANCE: 25mohms MAX. INITIAL,  
 40mohms MAX. AFTER.  
 INSULATION RESISTANCE: 5000Mohms MIN.at 500V DC  
 DIELECTRIC STRENGTH: 750VRMS  
 OPERATING TEMPERATURE RANGE: -55°C ~105°C  
 INSERTION/EXTRACTION FORCE PER CONTACT: 5N Max./0.2N Min.  
 MATING/UNMATING CYCLES: 50MATINGS MIN FOR GOLD-FLASH

2. MATERIAL:

INSULATORS: THERMOPLASTIC G.F(UL94V-0) BLACK  
 CONTACTS: COPPER ALLOY, GOLD(G/F) TOP OVER CONTACT  
 AREA, 100u" Min MATTE TIN TOP OVER SOLDER AREA,  
 50u" Min NICKEL UNDER PLATE.  
 SHELL: CARBON STEEL, 100u" Min NICKEL TOP OVER,  
 50u" Min COPPER UNDER PLATE.

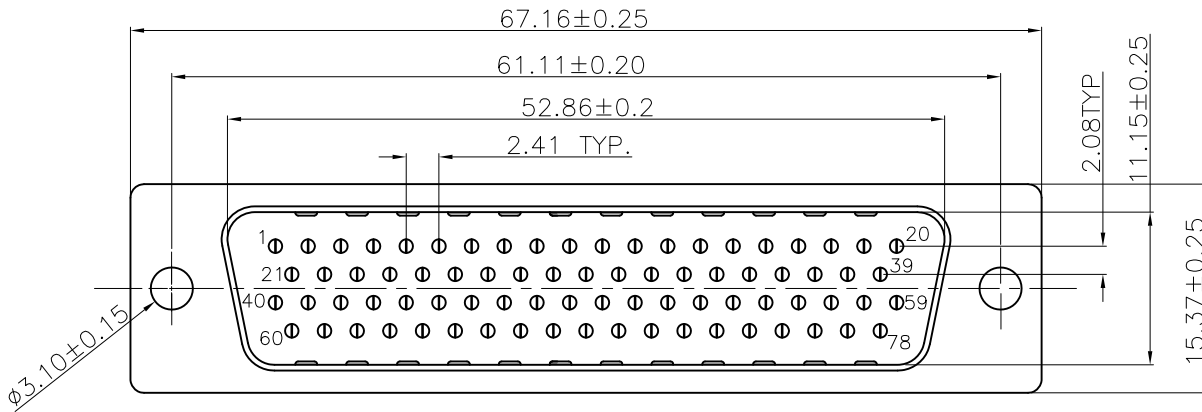
3. PART NUMBER DESCRIPTION: 10090769-P XX 4 A LF

SERIES NO. \_\_\_\_\_  
 TYPE \_\_\_\_\_  
 P: PIN (MALE) \_\_\_\_\_  
 NUMBER OF CONTACTS \_\_\_\_\_  
 15: 15-PIN  
 26: 26-PIN  
 44: 44-PIN  
 62: 62-PIN  
 LF: ROHS COMPLIANT  
 FLANGE MOUNTING OPTION  
 A: STANDARD HOLE  
 CONTACT FINISH  
 4:GOLD FLASH



POS.	WIRE AWG
15	24~28
26	24~28
44	24~28
62	24~30

mat'l. code		surface		tolerance		projection		product family	
SEE NOTES		ISO 1302	ISO 406	ISO 1101	D-SUB				
ltr	ecn no	dr	date	tolerances unless otherwise specified				title	
C	ELX-I-20184	AB	2015/02/03	angles	mm	H/D D-SUB MALE SOLDER BUCKET			
D	ELX-I-20490	MP	2015/03/17	int	mm	-			
-	-	-	-	0° ±2'	mm	scale 1:1			
-	-	-	-	dr	JASON HSU	12/10/09	dwg no		sheet 1 of 2 size
-	-	-	-	engr	ALIAS BABU	2015/02/03	10090769		A4
-	-	-	-	chr	MITHUN PAUL	2015/02/03	type		PRODUCT_CUSTOMER Drawing
-	-	-	-	appd	BIJU K PAUL	2015/02/03			
sheet	revision	D	D	-	-	-	-	-	-
index	sheet	1	2	-	-	-	-	-	-



REMARK:

1. CHARACTERISTICS:

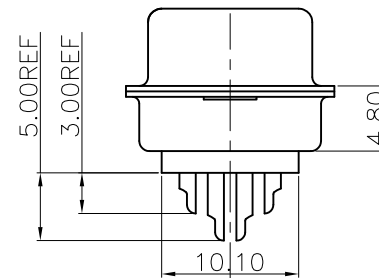
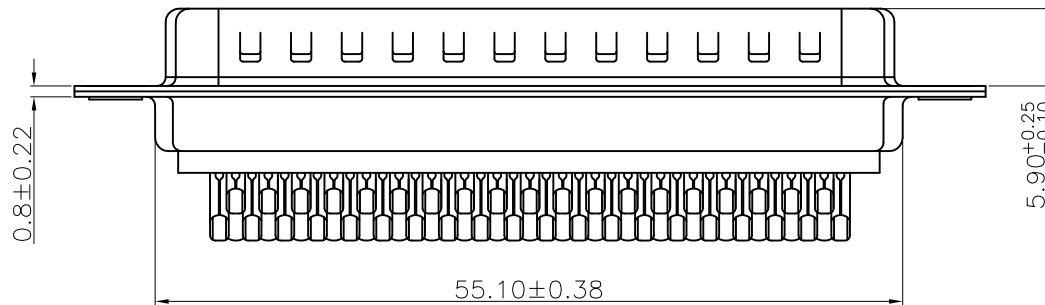
RATED VOLTAGE: 250V  
 RATED CURRENT: 2.5AMP  
 CONTACT RESISTANCE: 35mohms MAX. INITIAL,  
 50mohms MAX. AFTER.  
 INSULATION RESISTANCE: 5000Mohms MIN. at 500V DC  
 DIELECTRIC STRENGTH: 750VRMS  
 OPERATING TEMPERATURE RANGE: -55°C ~105°C  
 INSERTION/EXTRACTION FORCE PER CONTACT: 5N Max. /0.2N Min.  
 MATING/UNMATING CYCLES: 50MATINGS MIN FOR GOLD-FLASH

2. MATERIAL:

INSULATORS: THERMOPLASTIC G.F(UL94V-0) BLACK  
 CONTACTS: COPPER ALLOY, GOLD(G/F) TOP OVER CONTACT  
 AREA, 100u" Min MATTE TIN TOP OVER SOLDER AREA,  
 50u" Min NICKEL UNDER PLATE.  
 SHELL: CARBON STEEL, 100u" Min NICKEL TOP OVER,  
 50u" Min COPPER UNDER PLATE.

3. PART NUMBER DESCRIPTION:

**10090769-P 78 4 A LF**  
 SERIES NO. \_\_\_\_\_  
 TYPE \_\_\_\_\_  
 P: PIN (MALE)  
 NUMBER OF CONTACTS  
 78: 78-PIN  
 LF:ROHS COMPLIANT  
 FLANGE MOUNTING OPTION  
 A:STANDARD HOLE  
 CONTACT FINISH  
 4:GOLD FLASH



POS.	WIRE AWG
78	24~30

PART NO.: 10090769-P784ALF

mat'l. code		surface <input checked="" type="checkbox"/> tolerance		projection		product family	
		ISO 1302	ISO 406 ISO 1101			D-SUB	
ltr	ecn no	dr	date	tolerances unless otherwise specified		title	
-	-	-	-	angles	.X ± 0.38	H/D D-SUB MALE SOLDER BUCKET	
-	-	-	-	line	.XX ± 0.25	-	
-	-	-	-	0° ±2'	.XXX ± 0.10	scale 1:1	-
-	-	-	-	dr	JASON HSU 12/10/09	dwg no sheet 2 of 2 size	
-	-	-	-	engr	ALIAS BABU 2015/02/03	10090769 A4	
-	-	-	-	chr	MITHUN PAUL 2015/02/03	type PRODUCT_CUSTOMER Drawing	
-	-	-	-	appd	BIJU K PAUL 2015/02/03		
sheet	revision	-	-	-	-	-	-
index	sheet	-	-	-	-	-	-