

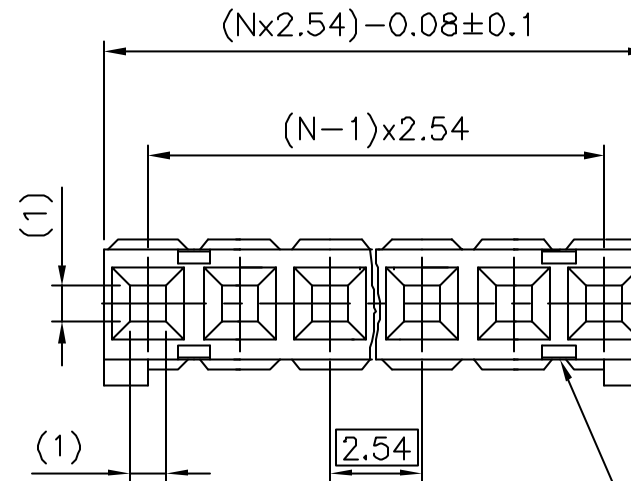
PRODUCT NUMBER

65240-0XXLF

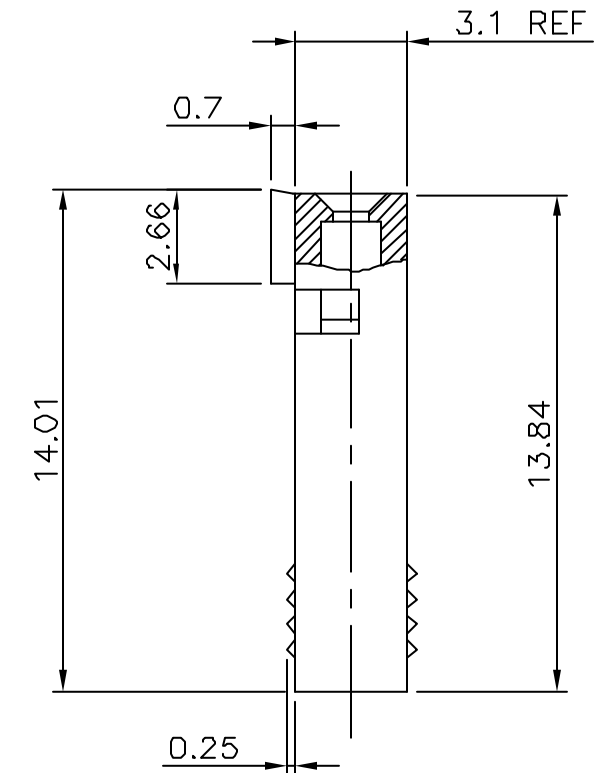
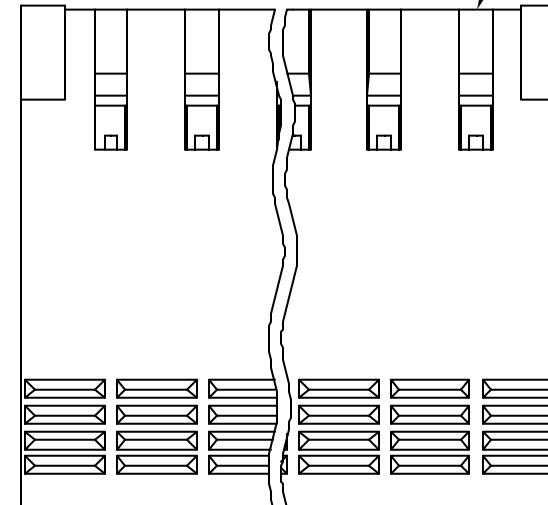
WHEN NEEDED, SUFFIX LETTER "LF" INDICATES THE PRODUCT IS RoHS COMPLIANT, SEE NOTE 6

NUMBER OF CAVITIES PER ROW: 02 TO 36.

PLASTIC MATERIAL.



SEE NOTE 2



NOTES:

- 1 - HOUSING MAT'L: THERMOPLASTIC GLASS FILLED FLAME RETARDANT PER UL 94 V-0 COLOR: BLUE.
- 2 - OVER DASH -007 ONLY FIRST AND LAST THREE POSITIONS MUST HAVE GROOVES ON TWO SIDES.
- 3 - PRODUCT PACKED IN PLASTIC BAG.
- 4 - TO DETERMINE DIMENSIONS:
N = NUMBER OF POSITIONS
EXAMPLE: 8 POS: $(N \times 2.54) - 0.08 = 20.24$ mm.
- 5 - FOR TECHNICAL APPLICATION SEE TA317.
- 6 - RoHS COMPATIBLE PRODUCT SPECIFICATIONS

a - LABELING:

- MEETS PACKAGING SPECS AS PER GS-14-920

b - LEGAL STATEMENT: SEE GS-22-008

THE PRODUCT IS NOT INTENDED TO BE EXPOSED TO A MANUFACTURING SOLDER PROCESS.

mat'l. code SEE NOTE				surface ISO 1302	tolerance ISO 406 ISO 101	projection mm	product family DUBOX	
ltr	ecn no	dr	date	tolerances unless otherwise specified		mm	title CtW HOUSING SR	
P	F06-0146	DLE	06.03.10	angles	±0.3		scale 5:1	dwg no 65240
R	F06-0225	DLE	06.07.07	Linear		FCI		sheet 1 of 1 size A3
S	F07-0168	PNZ	07.04.02	±2'			type CUSTOMER Drawing	
L	F05-0169	DLE	05.04.07	dr	G CORBOZ	01.01.05		
M	F05-0236	DLE	05.08.24	enfr	P NIZZI	01.01.05		
N	F05-0286	DLE	05.11.07	chr	JF NOTTEAU	01.01.05		
sheet index		revision sheet						