

INTERCONNECTS

SERIES 349, 449, 800, 801, 802, 803 • 2,54 GRID (0,76 DIA. PINS), SURFACE MOUNT HEADERS & SOCKETS • SINGLE AND DOUBLE ROW STRIPS

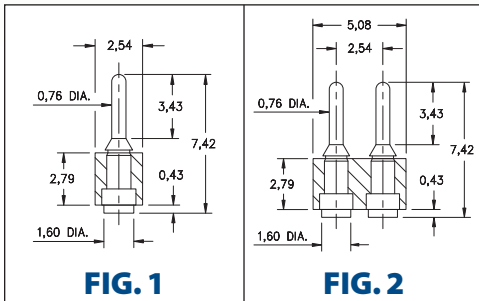


FIG. 1

FIG. 2

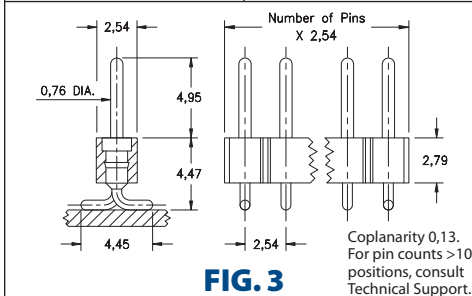


FIG. 3

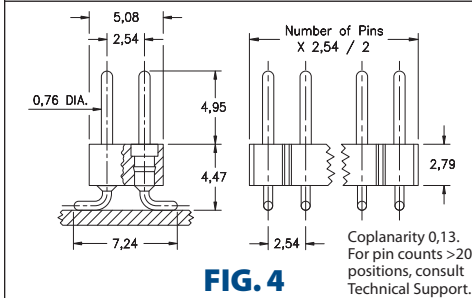


FIG. 4

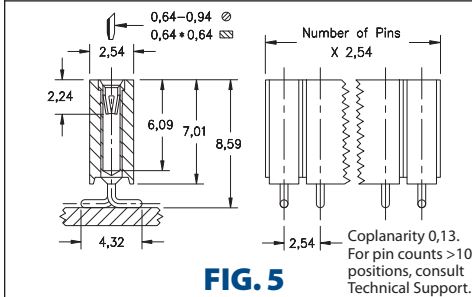


FIG. 5

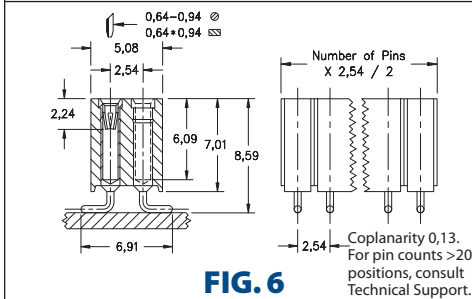
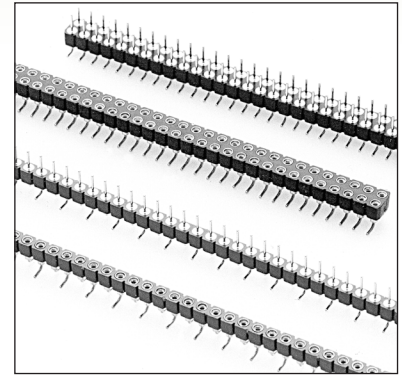


FIG. 6

- Series 349 & 449 use MM #4956-1 pins. See page 218 for details
- Series 800 & 802 use MM #7007 pins. See page 215 for details
- Series 801 & 803 use MM #1304 receptacles and accept pin diameters from 0,64 - 0,94 and 0,64 square pins. See page 177 for details
- Receptacles use Hi-Rel, 6-finger BeCu #47 contact rated at 4.5 amps. See page 256 for details
- Insulators are high temperature thermoplastic, suitable for all soldering operations



ORDERING INFORMATION

FIG. 1	Series 349...560	Single Row Surface Mount Header	349-10-1-__-00-560000
	Specify number of pins		02-64
FIG. 2	Series 449...560	Double Row Surface Mount Header	449-10-2-__-00-560000
	Specify number of pins		04-64
FIG. 3	Series 800...001	Single Row Surface Mount Header	800-10-0-__-30-001000
	Specify number of pins		03-64
FIG. 4	Series 802...001	Double Row Surface Mount Header	802-10-0-__-30-001000
	Specify number of pins		04-72
SPECIFY PLATING CODE XX=		10	
Pin Plating		0,25µm Au	
FIG. 5	Series 801...001	Single Row Surface Mount Socket	801-43-0-__-30-001000
	Specify number of pins		03-50
FIG. 6	Series 803...001	Double Row Surface Mount Socket	803-XX-__-30-001000
	Specify number of pins		004-100
		XX=Plating Code See Below	
SPECIFY PLATING CODE XX=		93	43
Sleeve (Pin)		5,08µm Sn/Pb	5,08µm Sn
Contact (Clip)		0,76µm Au	0,76µm Au

Mouser Electronics

Authorized Distributor

Click to View Pricing, Inventory, Delivery & Lifecycle Information:

Mill-Max:

[800-10-064-30-001000](#) [801-43-050-30-001000](#) [802-10-072-30-001000](#) [803-43-100-30-001000](#) [803-93-100-30-001000](#) [349-10-164-00-560000](#) [803-43-006-30-001000](#) [803-43-004-30-001000](#) [803-43-064-30-001000](#) [803-43-034-30-001000](#) [449-10-220-00-560000](#) [801-43-007-30-001000](#) [801-43-010-30-001000](#) [801-43-011-30-001000](#) [802-10-008-30-001000](#) [802-10-010-30-001000](#) [803-43-024-30-001000](#) [803-43-032-30-001000](#) [803-43-040-30-001000](#) [803-43-020-30-001000](#) [803-93-052-30-001000](#) [801-43-003-30-001000](#)