

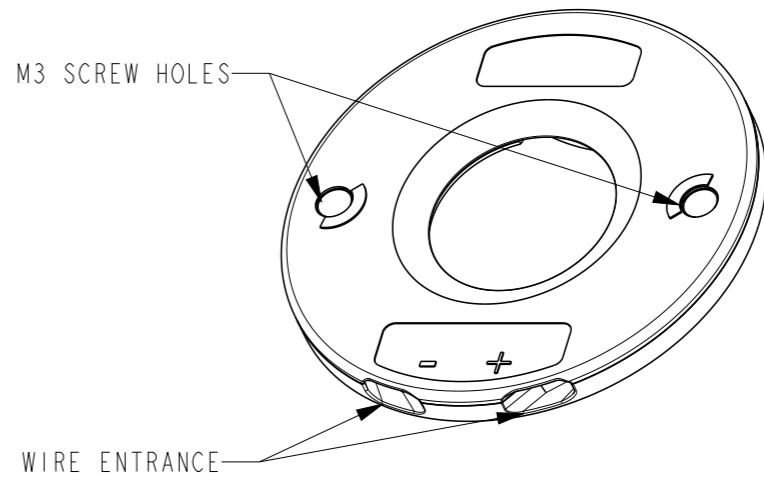
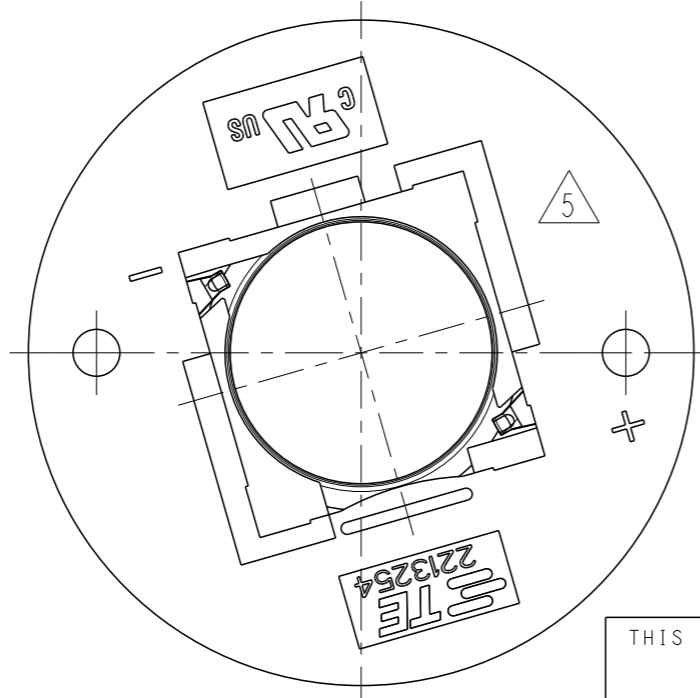
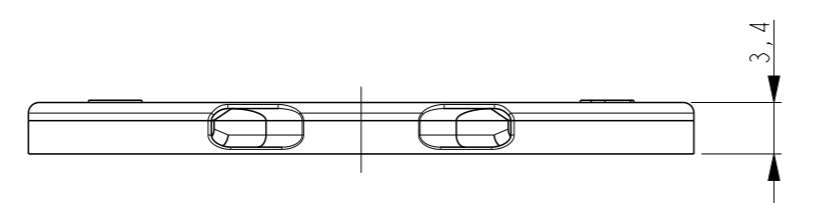
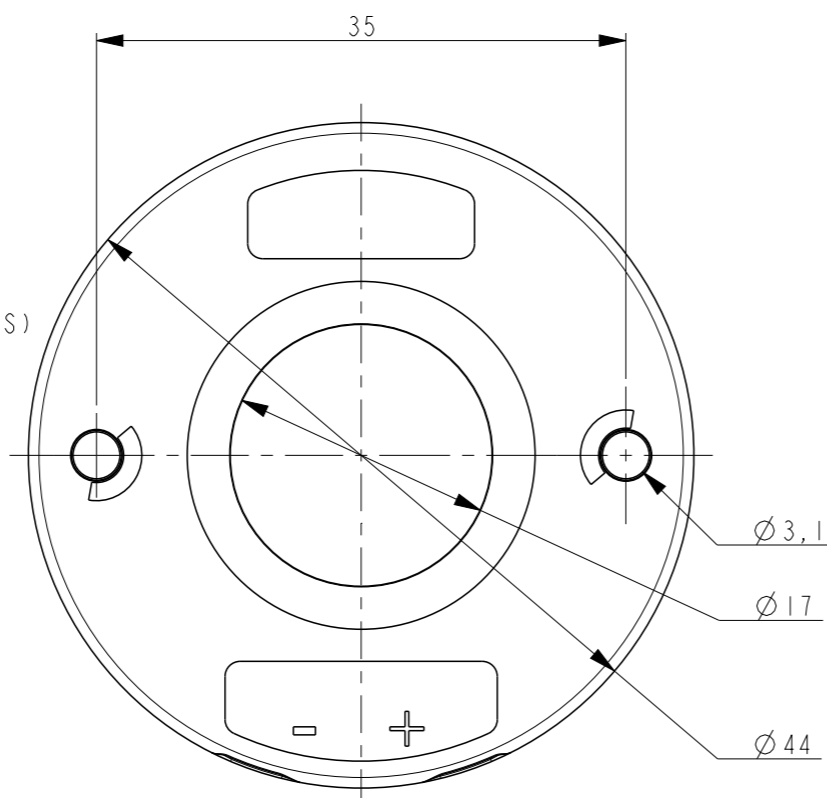
THIS DRAWING IS UNPUBLISHED. RELEASED FOR PUBLICATION

© COPYRIGHT - BY TYCO ELECTRONICS CORPORATION. ALL RIGHTS RESERVED.

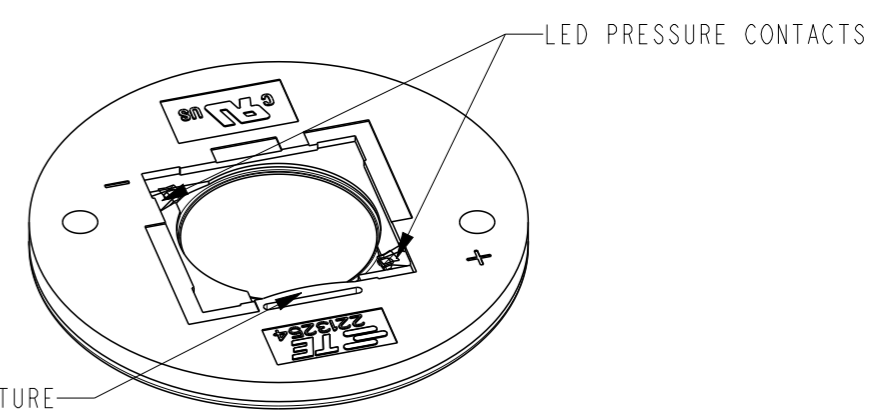
LOC	DIST	REVISIONS					
H	-	P	LTR	DESCRIPTION	DATE	DWN	APVD
			B1	ADDED INSERT	29JUN2017	RK	OL
			B2	ECR-18-006270	30APR2018	GCM	DD
			B3	ECR-18-011107	17JUL2018	SR	DD
			B4	ECR-19-000064	04JAN2019	SR	DD

NOTES:

- MATERIALS:  
HOUSING: GLASS FILLED PBT, HALOGEN FREE FLAME RETARDENT  
COLOR : NATURAL/WHITE  
CONTACTS: SILVER PLATED COPPER ALLOY
- FOR SOLID AND STRANDED WIRE AWG 22-18
- COMPLIES WITH DIRECTIVE 2002/95/EC (ROHS)
- M3 SCREW TO BE USED FOR MOUNTING
- DATE CODE YY-WW-D ANY WHERE EXCEPT OVER LOGO OR +/- SIGN.
- FOR COB-TO-HOLDER CROSS REFERENCE, REFER TO APPLICATION SPECIFICATION 114-32208.



SCALE 3:2



2213254-1 AS SHOWN

LUMAWISE LED HOLDER Z50 LOW PROFILE

2213254-2	LUMAWISE LED HOLDER Z50 STANDARD PROFILE 1919
2213254-1	LUMAWISE LED HOLDER Z50 LOW PROFILE 1919
PART NUMBER	DESCRIPTION

THIS DRAWING IS A CONTROLLED DOCUMENT.

DIMENSIONS: mm	TOLERANCES UNLESS OTHERWISE SPECIFIED:
	0 PLC ±-
	1 PLC ±-
	2 PLC ±-
	3 PLC ±-
	4 PLC ±-
	ANGLES ±-
MATERIAL	FINISH

DWN	M.V.ESSSEN	6-AUG-13
CHK	M.V.ESSSEN	6-AUG-13
APVD	O.I.FIJNSE	6-AUG-13
PRODUCT SPEC	108-133008	
APPLICATION SPEC	114-32048	
WEIGHT	-	

<b>STE</b> TE Connectivity			
NAME LUMAWISE LED HOLDER Z50 1919			
SIZE	CAGE CODE	DRAWING NO	RESTRICTED TO
A3	00779	C-2213254	-

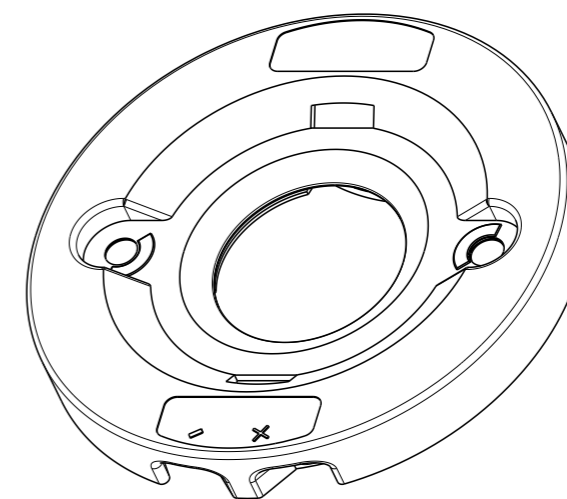
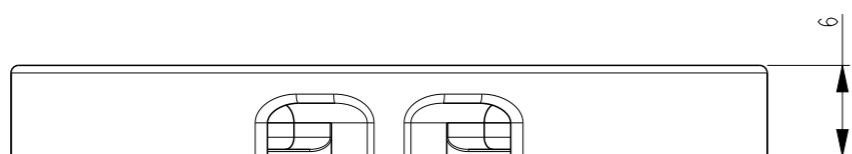
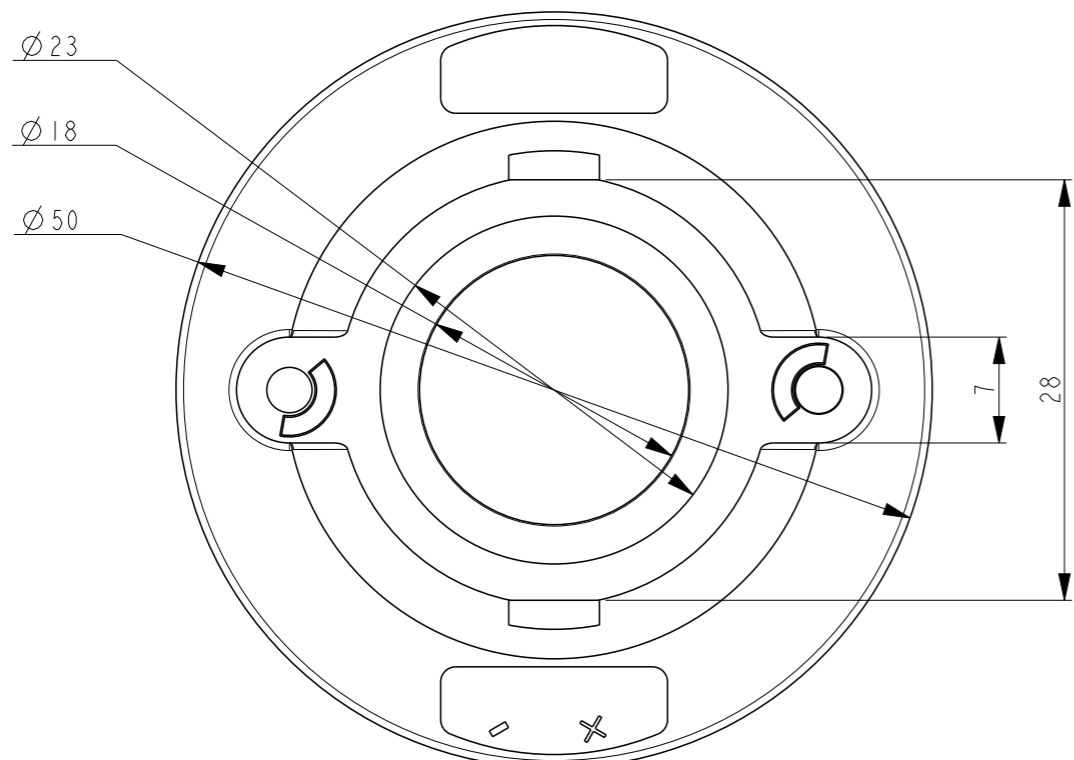
CUSTOMER DRAWING	SCALE 2:1	SHEET 1 OF 3	REV B4
------------------	-----------	--------------	--------

THIS DRAWING IS UNPUBLISHED.

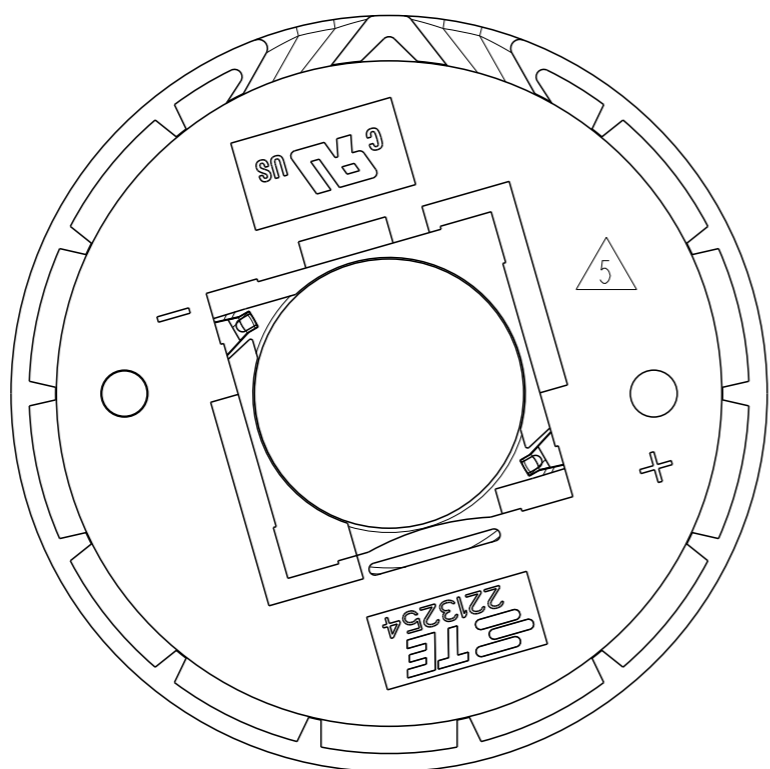
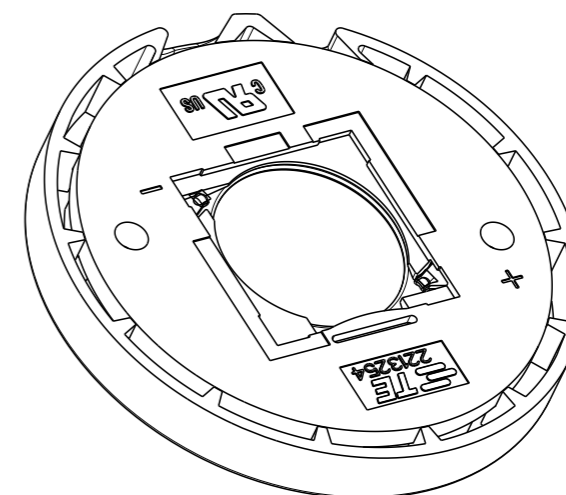
RELEASED FOR PUBLICATION

© COPYRIGHT - BY TYCO ELECTRONICS CORPORATION. ALL RIGHTS RESERVED.

LOC	DIST	REVISIONS					
		P	LTR	DESCRIPTION	DATE	DWN	APVD
		-		SEE SHEET 1	-	-	-





SCALE 3:2



2213254-2 AS SHOWN

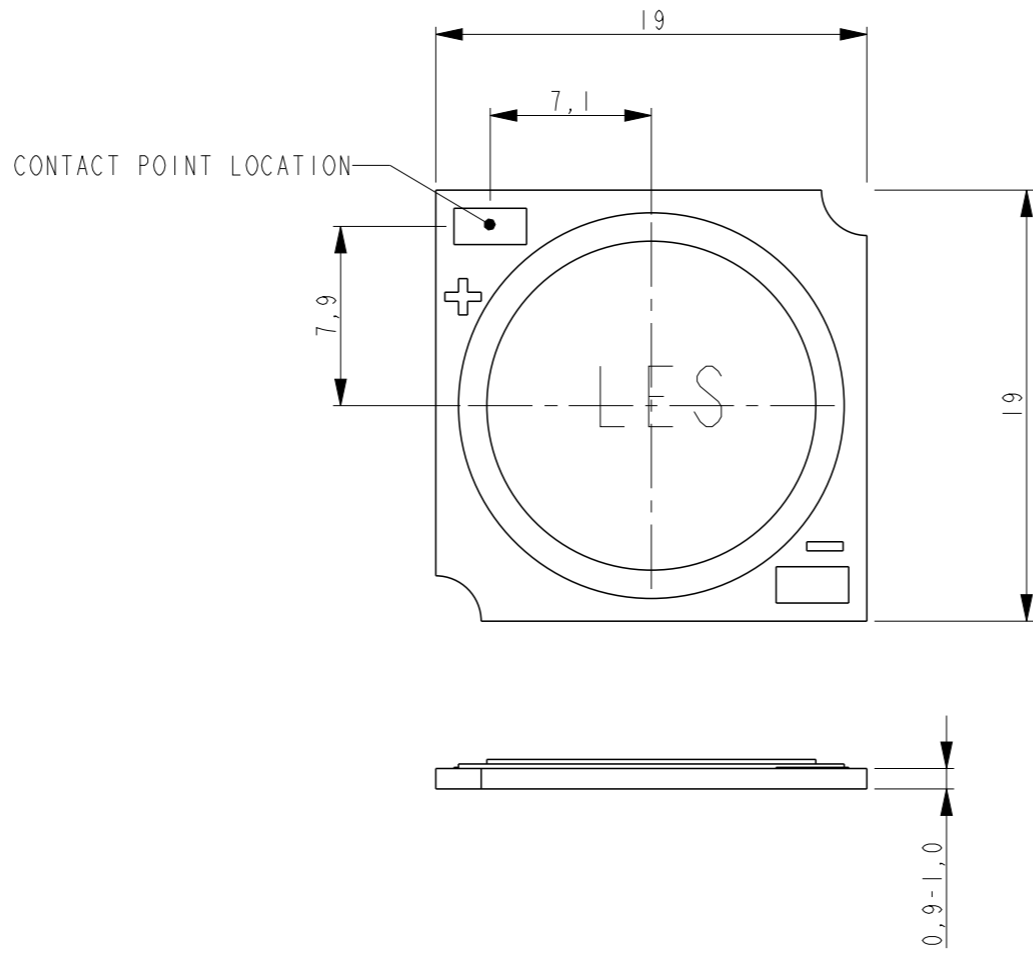
LUMAWISE LED HOLDER Z50 STANDARD PROFILE


THIS DRAWING IS A CONTROLLED DOCUMENT.		DWN M.V.ESSSEN 6-AUG-13	 <b>TE Connectivity</b>			
DIMENSIONS: mm		CHK M.V.ESSSEN 6-AUG-13				
		APVD O.I.FLJNSE 6-AUG-13				
TOLERANCES UNLESS OTHERWISE SPECIFIED:		PRODUCT SPEC 108-133008	NAME LUMAWISE LED HOLDER Z50 1919			
0 PLC ±-		APPLICATION SPEC 114-32048	SIZE A3	CAGE CODE 00779	DRAWING NO C-2213254	RESTRICTED TO -
1 PLC ±-		WEIGHT -	SCALE 2:1		SHEET 2 OF 3	REV B4
2 PLC ±-		CUSTOMER DRAWING				
3 PLC ±-						
4 PLC ±-						
ANGLES ±-						
FINISH -						
-						

THIS DRAWING IS UNPUBLISHED. RELEASED FOR PUBLICATION  
 © COPYRIGHT - BY TYCO ELECTRONICS CORPORATION. ALL RIGHTS RESERVED.

LOC	DIST	REVISIONS			
P	LTR	DESCRIPTION	DATE	DWN	APVD
	-	SEE SHEET 1	-	-	-

THE SKETCH BELOW IS SHOWING THE NOMINAL LED COB DIMENSIONS TO MATCH WITH THE Z50 LED HOLDER 1919  
 FOR TECHNICAL DETAILS ABOUT A PROPER MATCH WITH A SPECIFIC LED COB ARRAY PLEASE CONTACT A REPRESENTATIVE AT TE-CONNECTIVITY



THIS DRAWING IS A CONTROLLED DOCUMENT.		DWN M.V.ESSSEN 6-AUG-13	 TE Connectivity NAME LUMAWISE LED HOLDER Z50 1919			
DIMENSIONS: mm		CHK M.V.ESSSEN 6-AUG-13				
TOLERANCES UNLESS OTHERWISE SPECIFIED:		APVD O.L.FLJNSE 6-AUG-13				
0 PLC ±- 1 PLC ±- 2 PLC ±- 3 PLC ±- 4 PLC ±- ANGLES ±-		PRODUCT SPEC 108-133008				
MATERIAL		APPLICATION SPEC 114-32048	SIZE A3	CAGE CODE 00779	DRAWING NO C-2213254	RESTRICTED TO
FINISH		WEIGHT	SCALE 2:1		SHEET 3 OF 3	REV B4
		CUSTOMER DRAWING				

# Mouser Electronics

Authorized Distributor

Click to View Pricing, Inventory, Delivery & Lifecycle Information:

[TE Connectivity:](#)

[2213254-1](#)