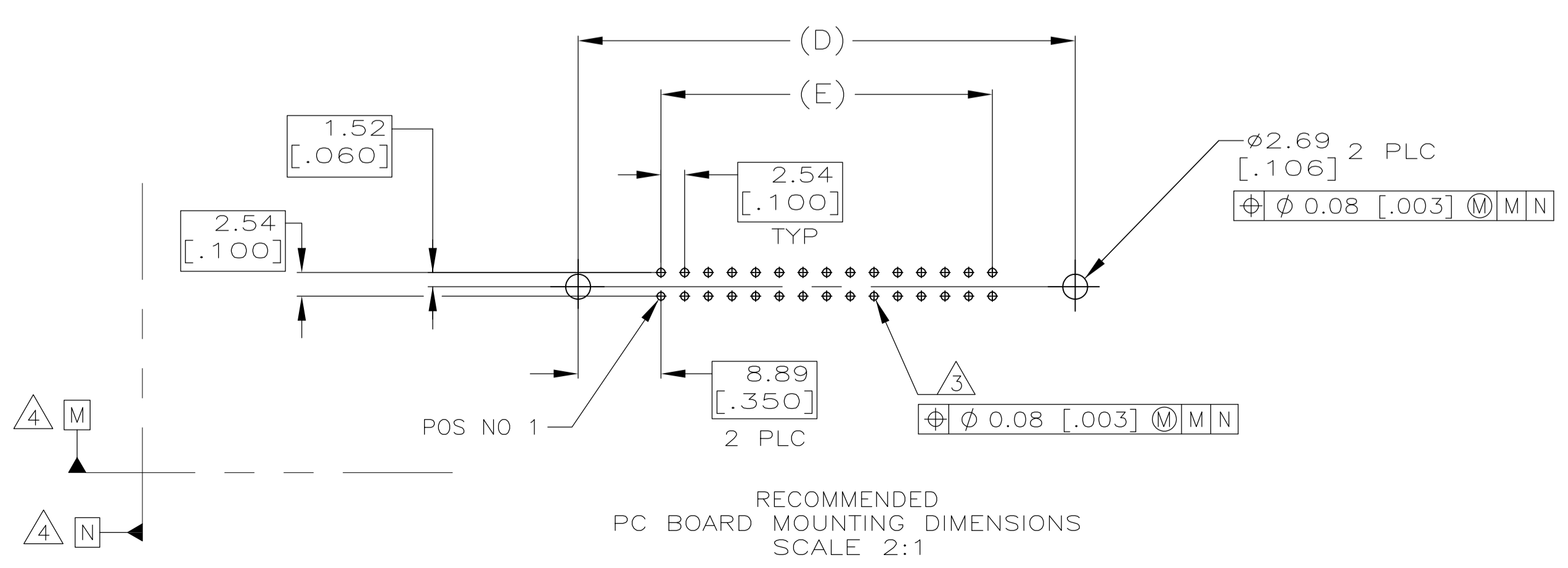
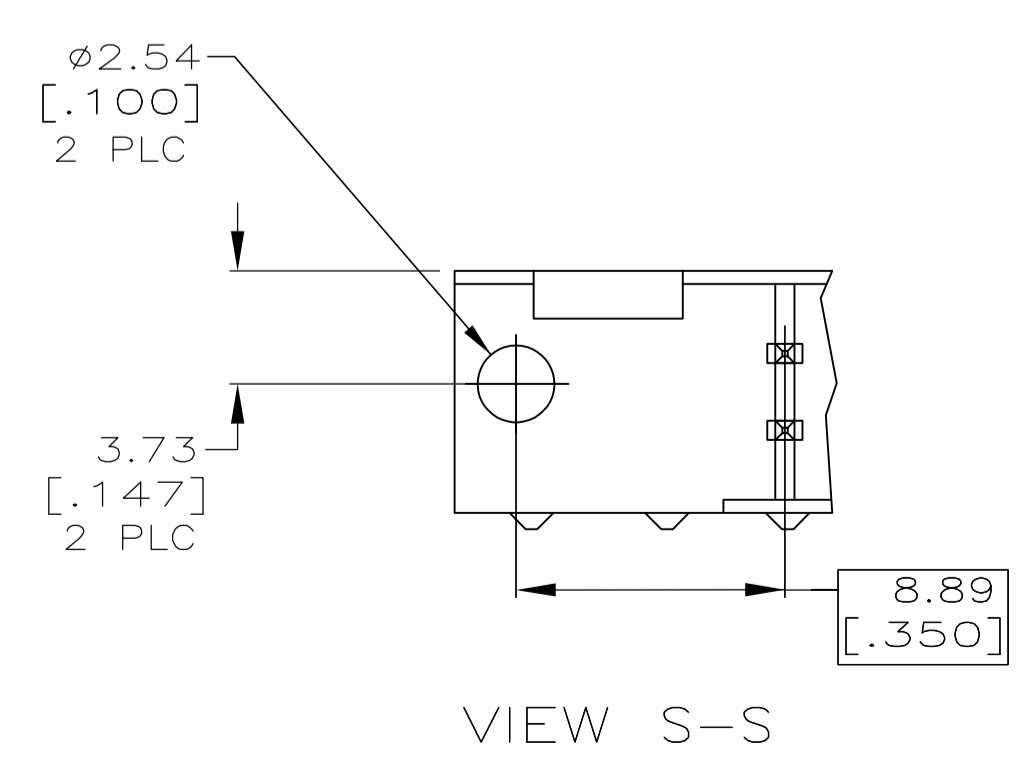
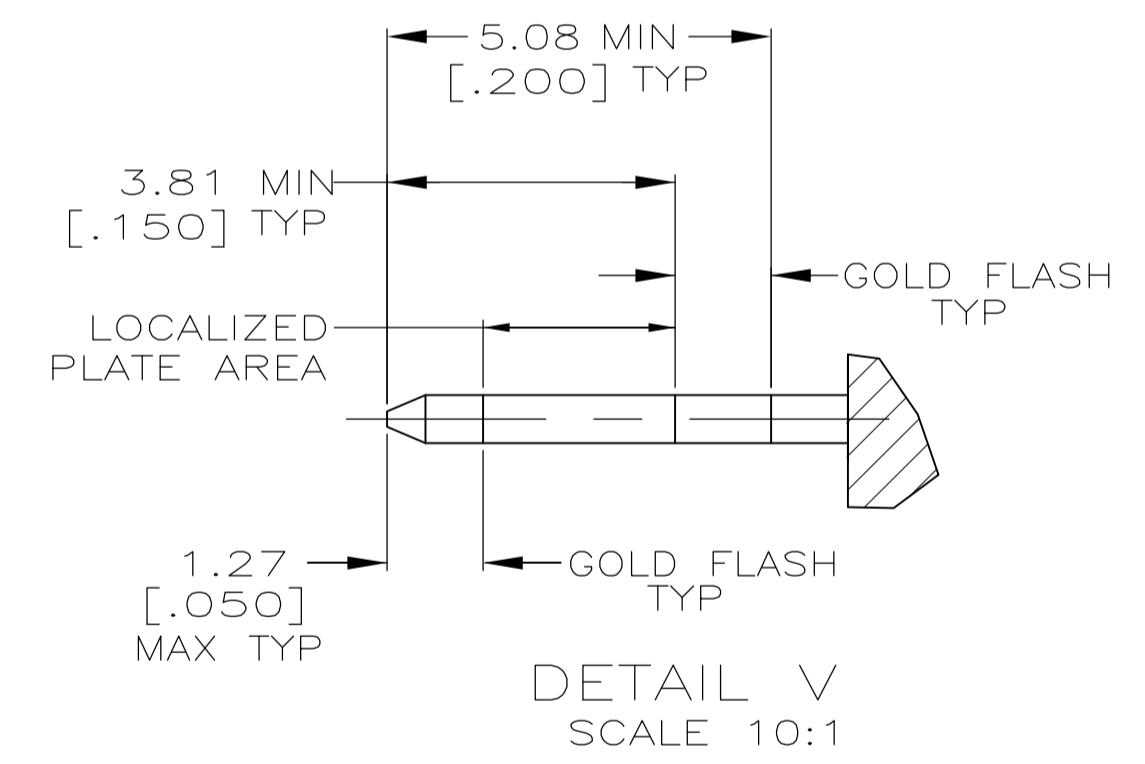
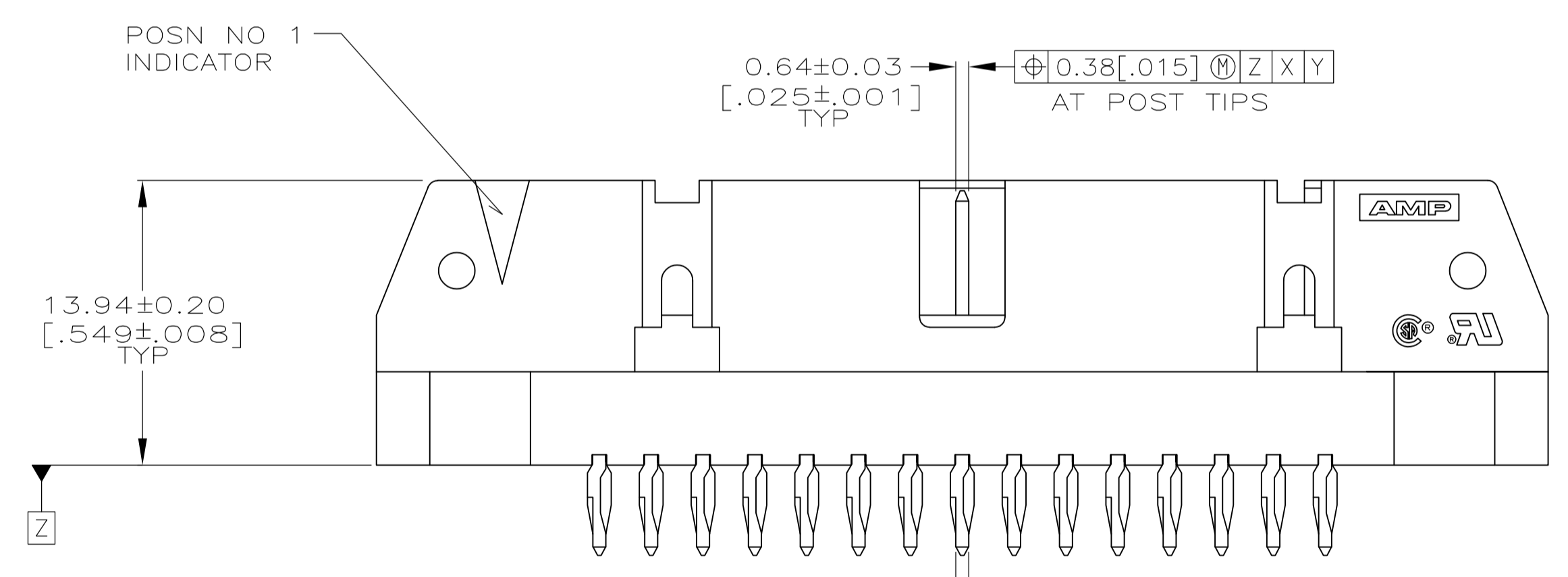
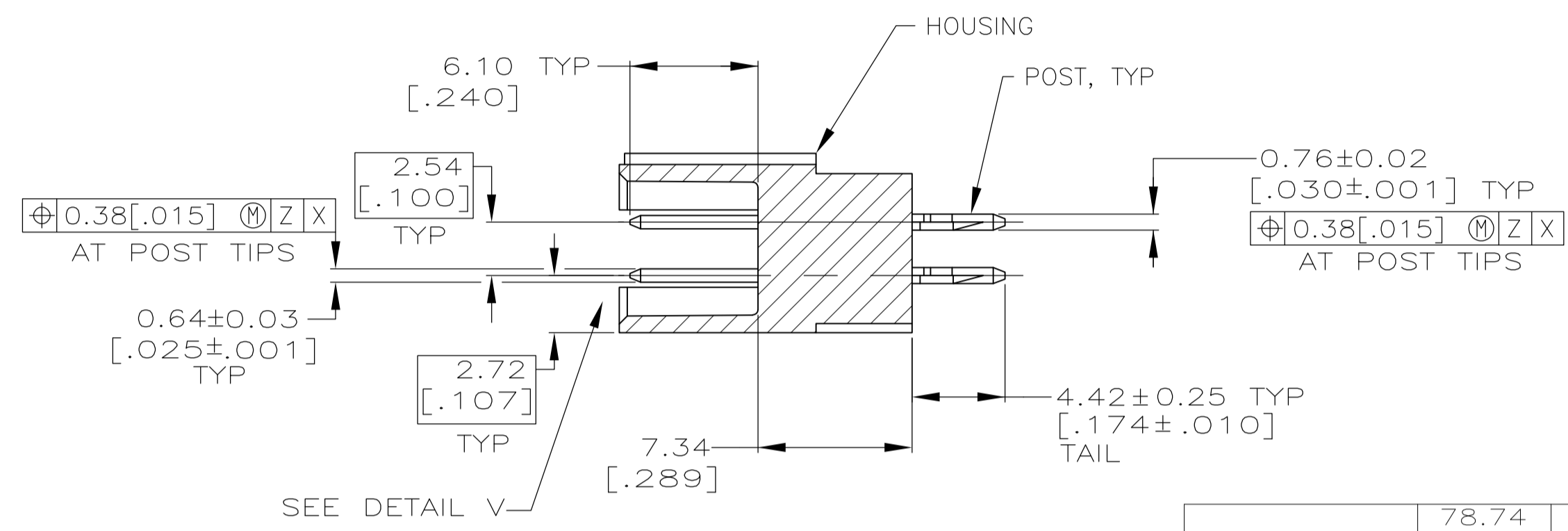
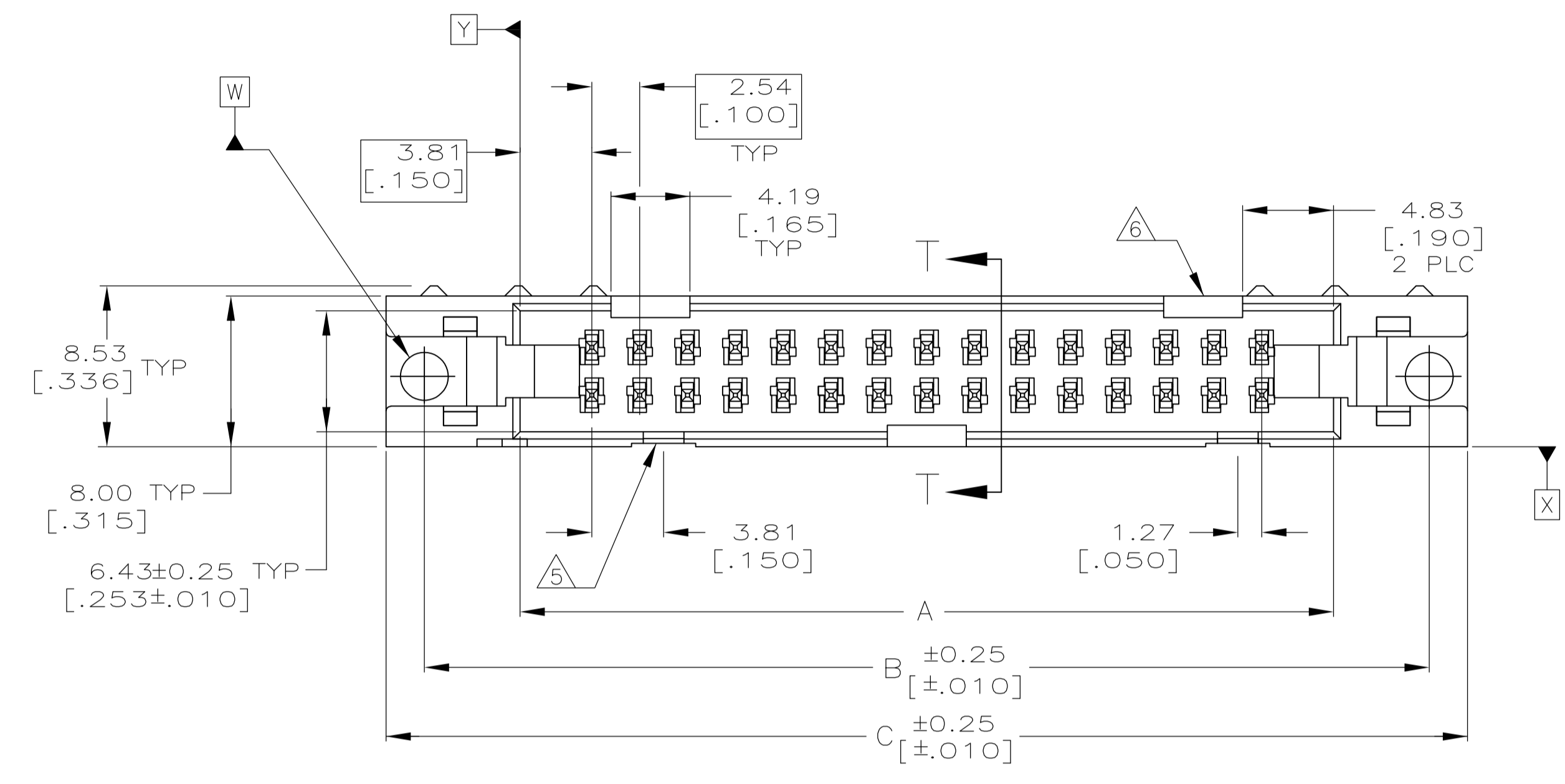


- 1 HOUSING: GLASS FILLED NYLON OR POLYESTER, 94V-0 RATED, COLOR SEE TABLE.  
POSTS: PHOSPHOR BRONZE.
- 2 POSTS: GOLD FLASH OVER PALLADIUM-NICKEL PLATE, 0.76µm[.000030] MIN TOTAL ON THE LOCALIZED PLATE AREA, 2.54µm[.000100] MIN TIN PLATE ON THE TAIL, 1.27µm[.000050] MIN NICKEL UNDERPLATE ON THE ENTIRE POST.  
-OR-  
0.76µm[.000030] MIN GOLD PLATE ON THE LOCALIZED PLATE AREA, 2.54µm[.000100] MIN TIN PLATE ON THE TAIL, 1.27µm[.000050] MIN NICKEL UNDERPLATE ON THE ENTIRE POST.
- 3 REFER TO APPLICATION SPECIFICATION 114-40020 FOR HOLE SIZE AND FINISH RECOMMENDATIONS.
- 4 DATUMS M & N TO BE ESTABLISHED BY CUSTOMER.
- 5 NO SLOT FOR SNAP-IN POLARIZER ON THIS END FOR 10 AND 14 POSITION HEADERS.
- 6 NO SLOT ON THIS END FOR 10 POSITION HEADERS.



OBSOLETE	BLUE	78.74	96.52	100.58	96.52	86.36	64	3-1658694-2
		[3.100]	[3.800]	[3.960]	[3.800]	[3.400]		
OBSOLETE	BLUE	60.96	78.74	82.80	78.74	68.58	50	3-1658694-0
		[2.400]	[3.100]	[3.260]	[3.100]	[2.700]		
OBSOLETE	BLUE	48.26	66.04	70.10	66.04	55.88	40	2-1658694-9
		[1.900]	[2.600]	[2.760]	[2.600]	[2.200]		
OBSOLETE	BLUE	40.64	58.42	62.48	58.42	48.26	34	2-1658694-8
		[1.600]	[2.300]	[2.460]	[2.300]	[1.900]		
OBSOLETE	BLUE	30.48	48.26	52.32	48.26	38.10	26	2-1658694-6
		[1.200]	[1.900]	[2.060]	[1.900]	[1.500]		
OBSOLETE	BLUE	22.86	40.64	44.70	40.64	30.48	20	2-1658694-4
		[.900]	[1.600]	[1.760]	[1.600]	[1.200]		
OBSOLETE	BLACK	17.78	35.56	39.62	35.56	25.40	16	2-1658694-3
		[.700]	[1.400]	[1.560]	[1.400]	[1.000]		
OBSOLETE	BLACK	15.24	33.02	37.08	33.02	22.86	14	2-1658694-2
		[.600]	[1.300]	[1.460]	[1.300]	[.900]		
OBSOLETE	BLACK	10.16	27.94	32.00	27.94	17.78	10	2-1658694-1
		[.400]	[1.100]	[1.260]	[1.100]	[.700]		
OBSOLETE	BLACK	73.66	91.44	95.50	91.44	81.28	60	1-1658694-2
		[2.900]	[3.600]	[3.760]	[3.600]	[3.200]		
OBSOLETE	BLACK	40.64	58.42	62.48	58.42	48.26	34	1-1658694-1
		[1.600]	[2.300]	[2.460]	[2.300]	[1.900]		
OBSOLETE	BLACK	35.56	53.34	57.40	53.34	43.18	30	1-1658694-0
		[1.400]	[2.100]	[2.260]	[2.100]	[1.700]		
OBSOLETE	BLACK	25.40	45.72	49.78	45.72	35.56	24	1658694-9
		[1.100]	[1.800]	[1.960]	[1.800]	[1.400]		
OBSOLETE	BLACK	17.78	35.56	39.62	35.56	25.40	16	1658694-8
		[.700]	[1.400]	[1.560]	[1.400]	[1.000]		
OBSOLETE	BLACK	15.24	33.02	37.08	33.02	22.86	14	1658694-7
		[.600]	[1.300]	[1.460]	[1.300]	[.900]		
OBSOLETE	BLACK	10.16	27.94	32.00	27.94	17.78	10	1658694-6
		[.400]	[1.100]	[1.260]	[1.100]	[.700]		
OBSOLETE	BLACK	78.74	96.52	100.58	96.52	86.36	64	1658694-5
		[3.100]	[3.800]	[3.960]	[3.800]	[3.400]		
OBSOLETE	BLACK	60.96	78.74	82.80	78.74	68.58	50	1658694-4
		[2.400]	[3.100]	[3.260]	[3.100]	[2.700]		
OBSOLETE	BLACK	48.26	66.04	70.10	66.04	55.88	40	1658694-3
		[1.900]	[2.600]	[2.760]	[2.600]	[2.200]		
OBSOLETE	BLACK	30.48	48.26	52.32	48.26	38.10	26	1658694-2
		[1.200]	[1.900]	[2.060]	[1.900]	[1.500]		
OBSOLETE	BLACK	22.86	40.64	44.70	40.64	30.48	20	1658694-1
		[.900]	[1.600]	[1.760]	[1.600]	[1.200]		

THIS DRAWING IS A CONTROLLED DOCUMENT.

DIMENSIONS: mm [INCHES]	TOLERANCES UNLESS OTHERWISE SPECIFIED:	APPROVED: M. WALMSLEY	NAME: M. WALMSLEY
0 PLC ± -	1 PLC ± -	2 PLC ± 0.13[.005]	3 PLC ± -
4 PLC ± -	ANGLES ± -	PRODUCT SPEC: 108-40019	APPLICATION SPEC: 114-40020
MATERIAL: 1	FINISH: 2	WEIGHT: -	SIZE: A1
CUSTOMER DRAWING		SCALE: 4:1	SHEET: 1 OF 1

STE TE Connectivity  
HEADER ASSY, UNIVERSAL, ACTION PIN AMP-LATCH  
DRAWING NO: 1658694

# Mouser Electronics

Authorized Distributor

Click to View Pricing, Inventory, Delivery & Lifecycle Information:

[TE Connectivity:](#)

[1-1658694-1](#)