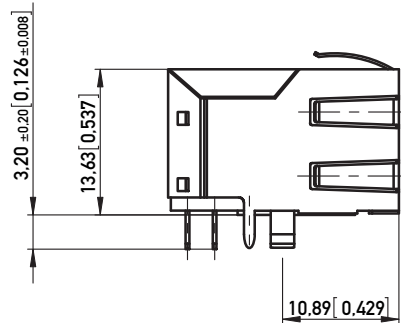
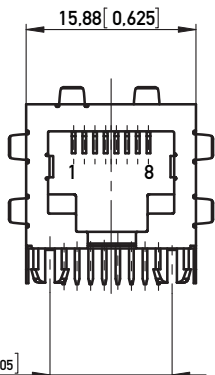
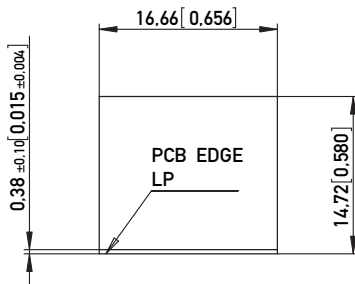
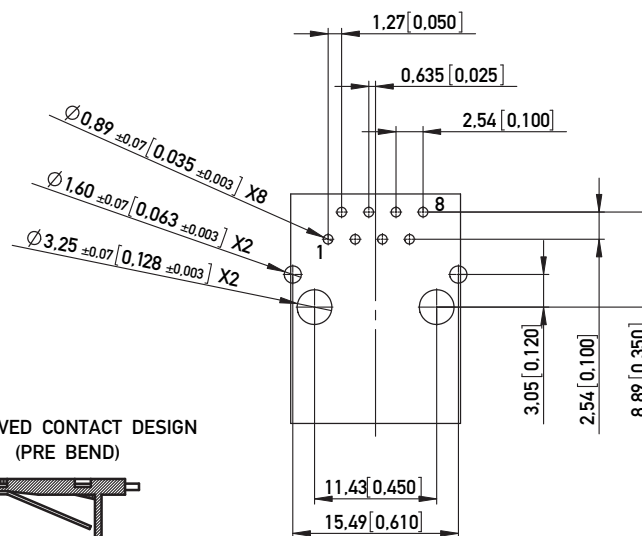


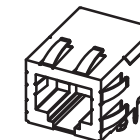
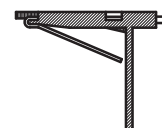
RECOMMENDED PANEL CUTOUT
EMPFOHLENER FRONTPLATTEN-AUSSCHNITT



RECOMMENDED PCB LAYOUT (COMPONENT SIDE VIEW)
EMPFOHLENES LEITERPLATTEN-LAYOUT (BESTUECKUNGSSEITE)
TOL. ±0.05 [0.002] UNLESS NOTED



IMPROVED CONTACT DESIGN
(PRE BEND)



1:1

- NOTE 1: SIDE SHIELD TABS IN REAR 3.05 mm
NOTE 2: PANEL GROUND FLANGES BOTH SIDES AND TOP (GF5)
NOTE 3: RoHS COMPLIANT

Technical specifications

Materials & Finish	Standard applic.	Value
Insulation body	Standard description	PBT 30%
Contact material	Standard description	C5210 (acc. JIS)
Contact finish, mating zone	Thickness of plating	30 µm Au over 50 µm Ni
Contact finish termination zone	Thickness of plating	80 µm matte Sn over 50 µm Ni
Shell/shield material	Standard description	C2680 (acc. JIS)
Shell/shield plating	Thickness of plating	50 µm Ni

Assembly process		
Packaging	Tray	
Solder temperature	235°C at 3-5s	
Suitable assembly process	wave	

Approvals	UL 94	V0
UL insulation body	UL 94	V0
UL File No.		E145613
RoHS compliant		Yes

Test Data	Standard applic.	Value
Mechanical properties		
Insertion/withdrawal force	IEC 603-7	max. 20 N
Mechanical operations	IEC 512-5, 9a	min. 1.000
Effectiveness of connector coupling device	IEC 512-8, 15f	50 N

Electrical properties		
Creepage / clearance distances		
a) Contact - contact	IEC 807-3	0.52 mm
b) Contact - shell	IEC 807-3	min. 1.0 mm
Voltage proof (Dielectric Withstand Voltage)		
a) Contact - contact	IEC 512-2, 4a	min. 1.000 V AC/DC
b) Contact - shell/testpanel	IEC 512-2, 4a	min. 1.500 V AC/DC
Current carrying capacity	IEC 512-3, 5b	1.5 A @ 25° C
Contact resistance	IEC 512-2, 2a	max. 30 mOhm
Insulation resistance	IEC 512-2, 3a	min. 500 MOhm

Environmental properties		
Operation temperature		0 - 70° C

PART NO. IDENT. NR.	TRANSMISSION REQUIREMENT ÜBERTRAGUNGS- ANFORDERUNG	PCB HOLE NUMBERING LP BOHRUNGS- NUMERIERUNG		
133167	CATEGORY 5, DUAL TWIST	2 4 6 8 1 3 5 7		
Information:		Tolerances	Scale	2:1
All rights reserved. Only for Information. To insure that this is the latest version of this drawing, please contact one of the ERNI companies before using.		 All Dimensions in mm(in)	Designation	
		Subject to modification without prior notice. Drawing will not be updated.	MOD JACK - MJR 8P8C, 1X1, CAT 5	
		 www.ERNI.com	133703	
E	05.07.2007			I (1/1)
Index	Date			A3
			Class	MJ

Copyright by ERNI GmbH
Proprietary notices pursuant to ISO 16014 to be observed

Mouser Electronics

Authorized Distributor

Click to View Pricing, Inventory, Delivery & Lifecycle Information:

[TE Connectivity:](#)

[133167](#) [133167-E](#)