

## Specification

- Part No. : **PC81.07.0100A.db**
- Product Name : **TheStripe™** 868Mhz PCB Antenna  
100mm IPEX 1.13mm diameter MHF connector  
foam attachment for assembly
- Features : 34mm\*7mm\*0.8mm(PCB)  
16mm\*6mm\*7mm(foam)  
Compatible with Hirose U.FL  
With 3M Adhesive, easy stick on client enclosure

Photo:



## 1. Introduction

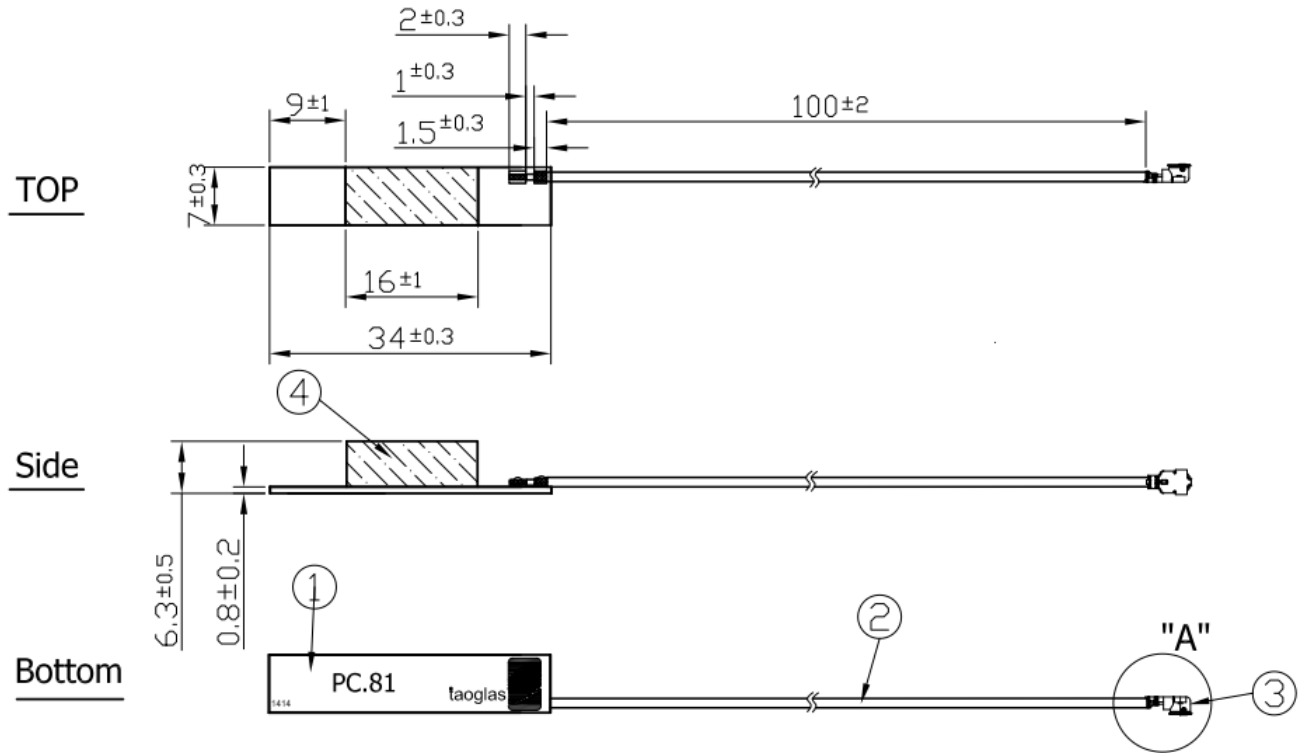
This miniaturized low profile PCB antenna is based on smart TheStripe™ antenna technology. It consists of a PCB antenna and a 1.13mm mini coaxial cable with IpeX MHF (Hirose U.FL comp) connector. The PC81 comes with a foam attachment which has  $\text{EM}$  adhesive on the underside which assists in placing the antenna with sufficient clearance for optimal performance.

Cable lengths and connectors are fully customizable.

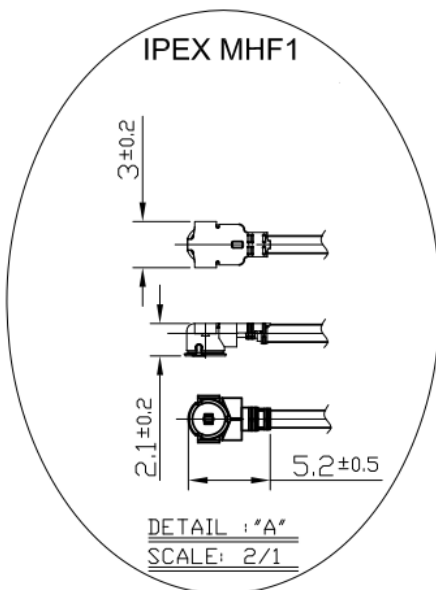
## 2. Specification

Parameter	Electrical Specification
Applications	868MHz ISM Band
Frequency Band	868-870MHz
Efficiency	50.46%
Return Loss	<-10dB
VSWR	<2.0:1
Impedance	50 Ohm
Polarization	Horizontal
Radiation Pattern	Omni-Directional
Parameter	Mechanical Specification
Antenna Dimensions	34mm*7mm*0.8mm(PCB)
	16mm*6mm*7mm(foam)
Cable Type	Ø1.13 Coaxial Cable
Cable Length	100mm
Connector	IPEX MHFI(U.FL Compatible)
Adhesive	3M 9472
Foam	CR4305
Parameter	Environmental Specification
Operation Temperature	-40°C ~ +85°C
Storage Temperature	-40°C ~ +85°C

### 3. Mechanical Drawing



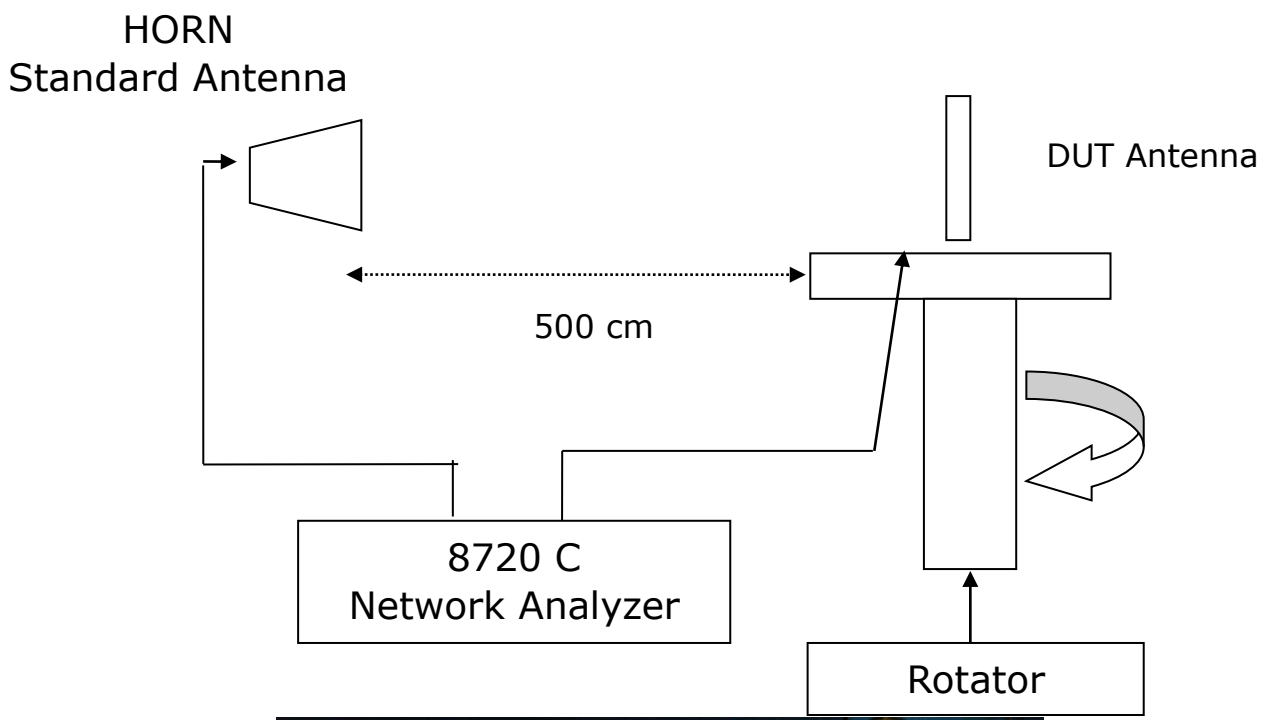
	Name	Material	Finish	QTY
①	PC81 PCB	FR4 0.8t	Black	1
②	1.13 Mini-Coaxial Cable	FEP	Black	1
③	IPEX MHF1	Brass	Gold	1
④	Double Sided Adhesive + Closed Cell Foam	3M9472+CR4305	Black	1



# 4. Antenna Test Setup and Results

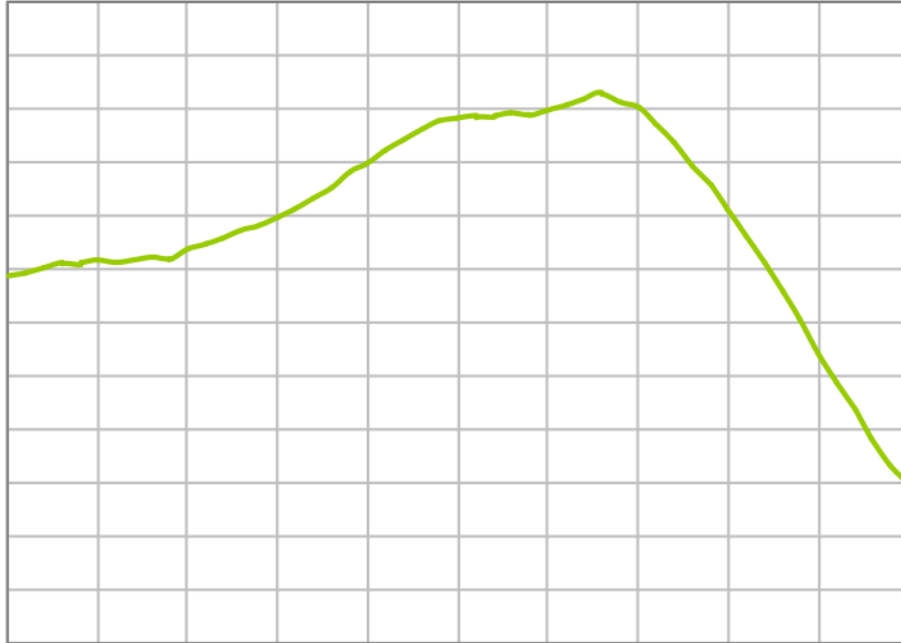
## 4.1 Equipment

### Radiation Pattern Testing - Anechoic



## 4.2 Efficiency

Efficiency of PC.81 with 100mm coaxial in free space

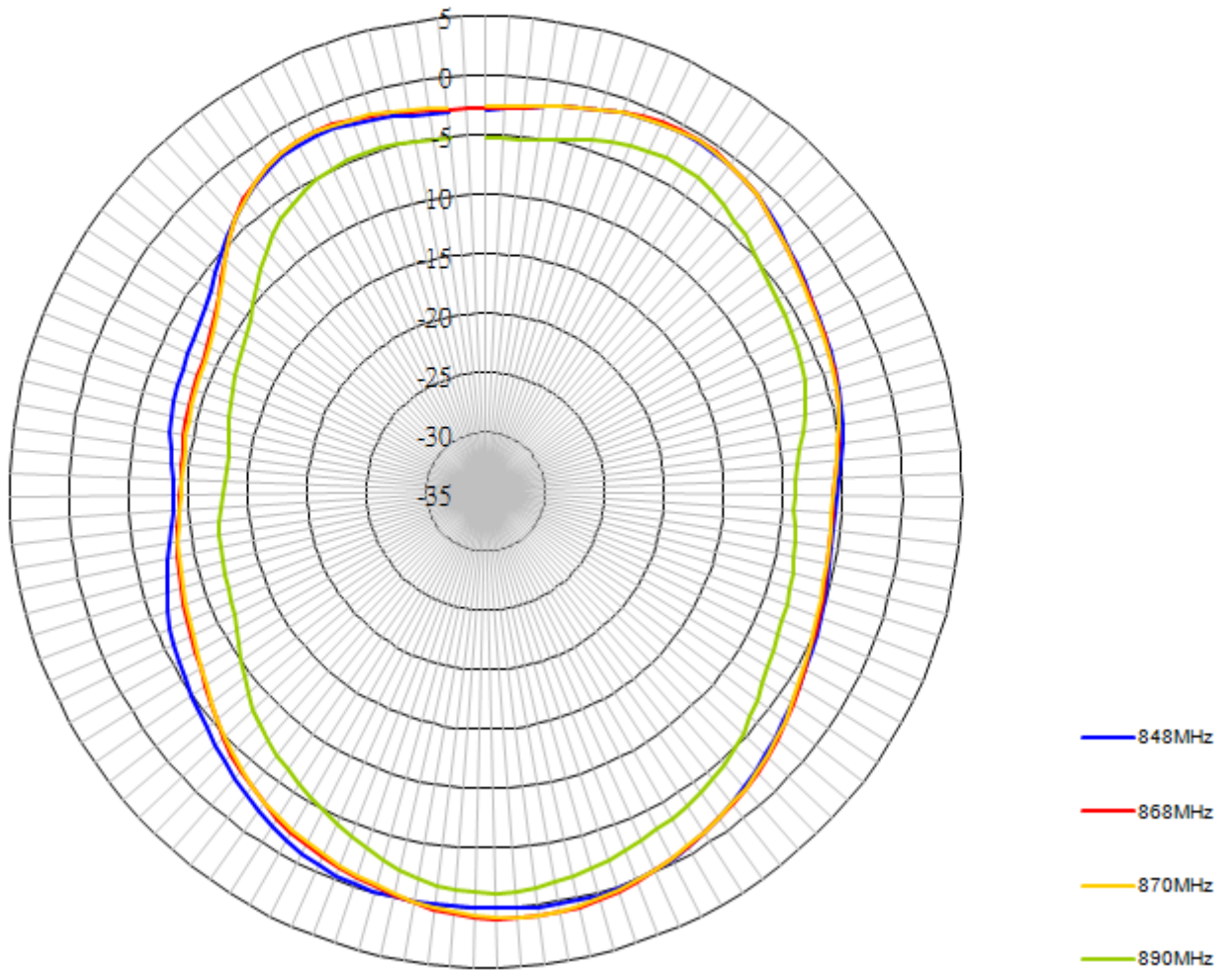


PC.81 Efficiency Data												
Band(MHz)	800	810	820	830	840	850	860	868	870	880	890	900
Gain	0.78	0.93	1.21	1.55	1.88	2.25	2.36	2.51	2.6	1.82	0.01	-2.56
Efficiency (%)	34.26	35.75	36.79	39.78	44.69	49.16	49.86	50.46	50.01	40.63	27.15	14.79
Efficiency dB	-4.65	-4.47	-4.34	-4	-3.5	-3.08	-3.02	-2.97	-3.01	-3.91	-5.66	-8.3

## 4.3 Radiation Patterns

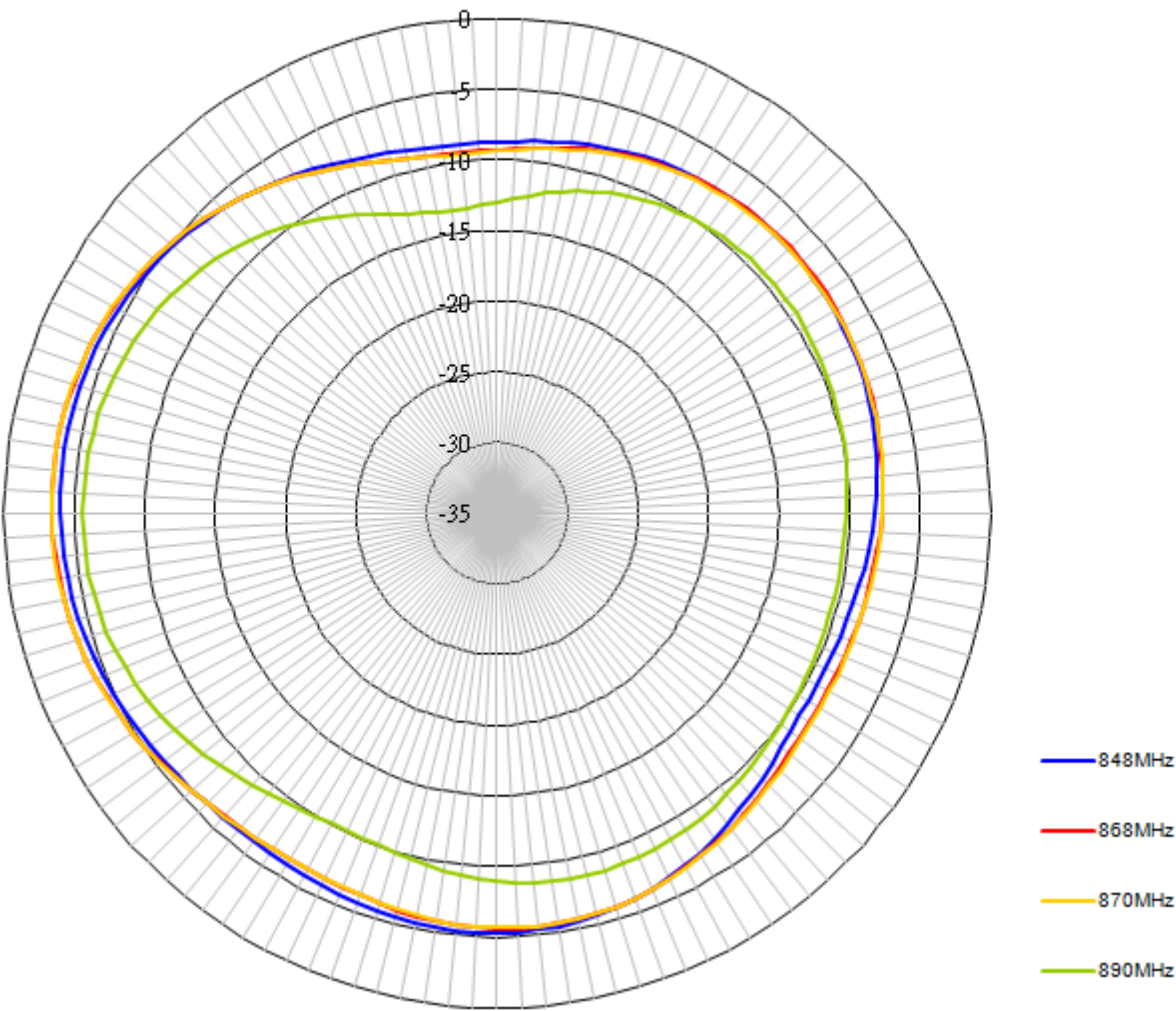
### 4.3.1 E-Plane (Horizontal/Azimuth Plane)

PC.81 E-plane Radiation



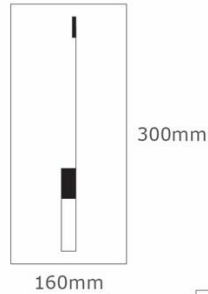
### 4.3.2 H-Plane (Vertical/Elevation Plane)

FC.81 H-plane Radiation

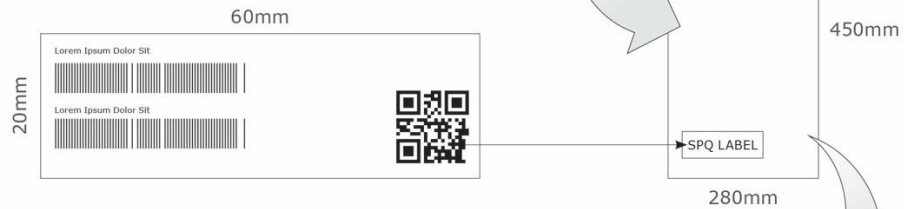


## 5. Packaging

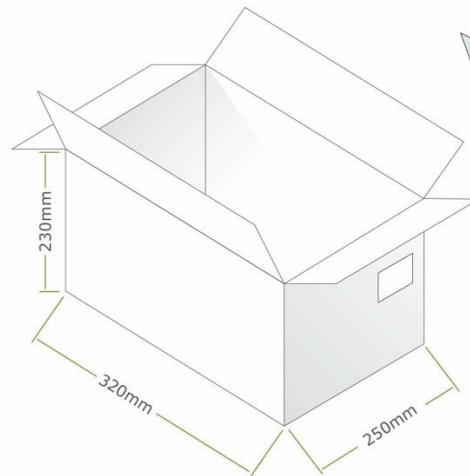
100pcs PC81.07.0100A.db per Small PE Bag  
 Bag Dimensions - 160\*300mm  
 Weight - 100g



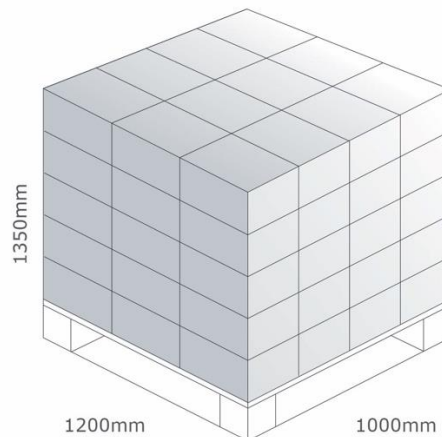
500pcs PC81.07.0100A.db Large PE Bag  
 Bag Dimensions - 280\*450mm  
 Weight - 0.5g



2000pcs PC81.07.0100A.db per Carton  
 Carton Dimensions - 320\*250\*230mm  
 Weight - 2.5Kg



Pallet Dimensions:  
 1200mm\*1000mm\*1350mm  
 60 Cartons per Pallet  
 12 Cartons per Layer, 5 Layers





*Taoglas makes no warranties based on the accuracy or completeness of the contents of this document and reserves the right to make changes to specifications and product descriptions at any time without notice.*

*Taoglas reserves all rights to this document and the information contained herein. Reproduction, use or disclosure to third parties without express permission is strictly prohibited. Copyright © 2014, Taoglas Ltd.*

# Mouser Electronics

Authorized Distributor

Click to View Pricing, Inventory, Delivery & Lifecycle Information:

[Taoglas:](#)

[PC81.07.0100A.db](#)