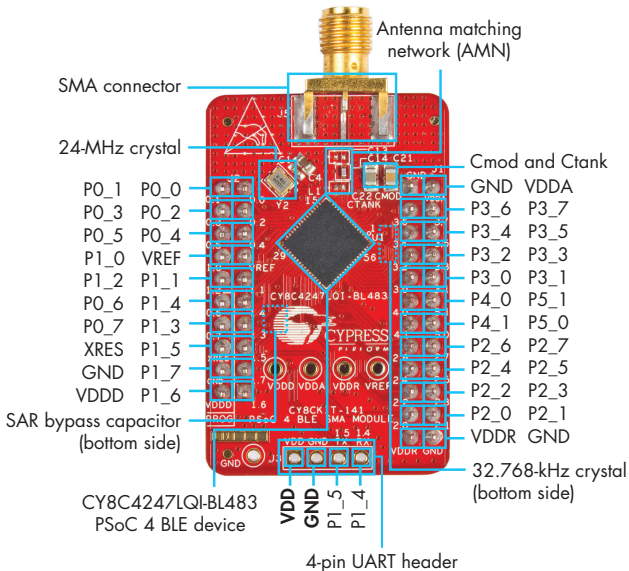


# CY8CKIT-141 PSoC® 4 BLE SMA MODULE

CY8CKIT-141 PSoC® 4 BLE SMA Module is an easy-to-use solution for creating complete BLE systems. It features a PSoC 4 BLE device, two crystals, and an SMA connector, and other passives, and provides access to all GPIOs of the device.

Visit [www.cypress.com/BLE](http://www.cypress.com/BLE) for more information on Cypress’s BLE solutions.

PSoC 4 BLE is an ARM® Cortex®-M0 based single-chip solution that integrates programmable analog front ends and digital peripherals, the CapSense® technology for touch sensing, and a Bluetooth® Low Energy or Bluetooth Smart radio.



**Fig-1: Pinout Description for PSoC 4 BLE SMA Module**

Note: To apply power to the module, use the VDD pin (1.9 V - 5.0 V) and GND pin.

# CY8CKIT-141 PSoC® 4 BLE SMA MODULE

## STANDALONE USE WITH PSoC CREATOR™ IDE AND CY8CKIT-002 MINIPROG3



Pin Mapping	
CY8CKIT-002	CY8CKIT-141
VTARG	VDD
GND	GND
RES	XRES
SCLK	PO_7
SDAT	PO_6

Fig-2: Programming and Debugging with CY8CKIT-002

## USING THE CY8CKIT-141 MODULE WITH CY8CKIT-042-BLE PIONEER KIT

**Step 1:** Plug the module on the CY8CKIT-042-BLE Pioneer Kit baseboard.

**Step 2:** Create your design in PSoC Creator IDE and use the BLE Pioneer Kit to program and debug.

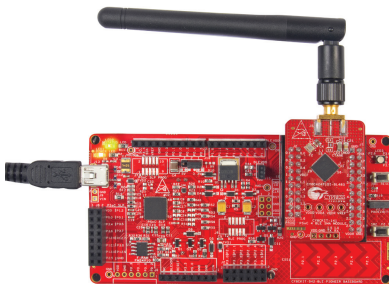


Fig-3: Programming and Debugging with CY8CKIT-042 BLE Pioneer Baseboard

Additional regulatory certification will be required to integrate the module into an end product. Contact [support@cypress.com](mailto:support@cypress.com) for details.

For more information about this kit, visit [www.cypress.com/CY8CKIT-141](http://www.cypress.com/CY8CKIT-141)



# Mouser Electronics

Authorized Distributor

Click to View Pricing, Inventory, Delivery & Lifecycle Information:

[Infineon:](#)

[CY8CKIT-141](#)