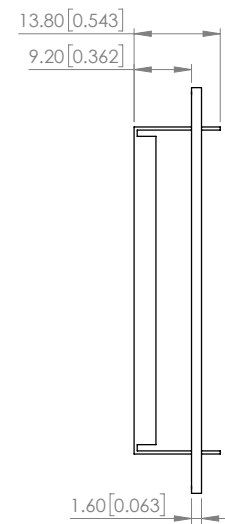
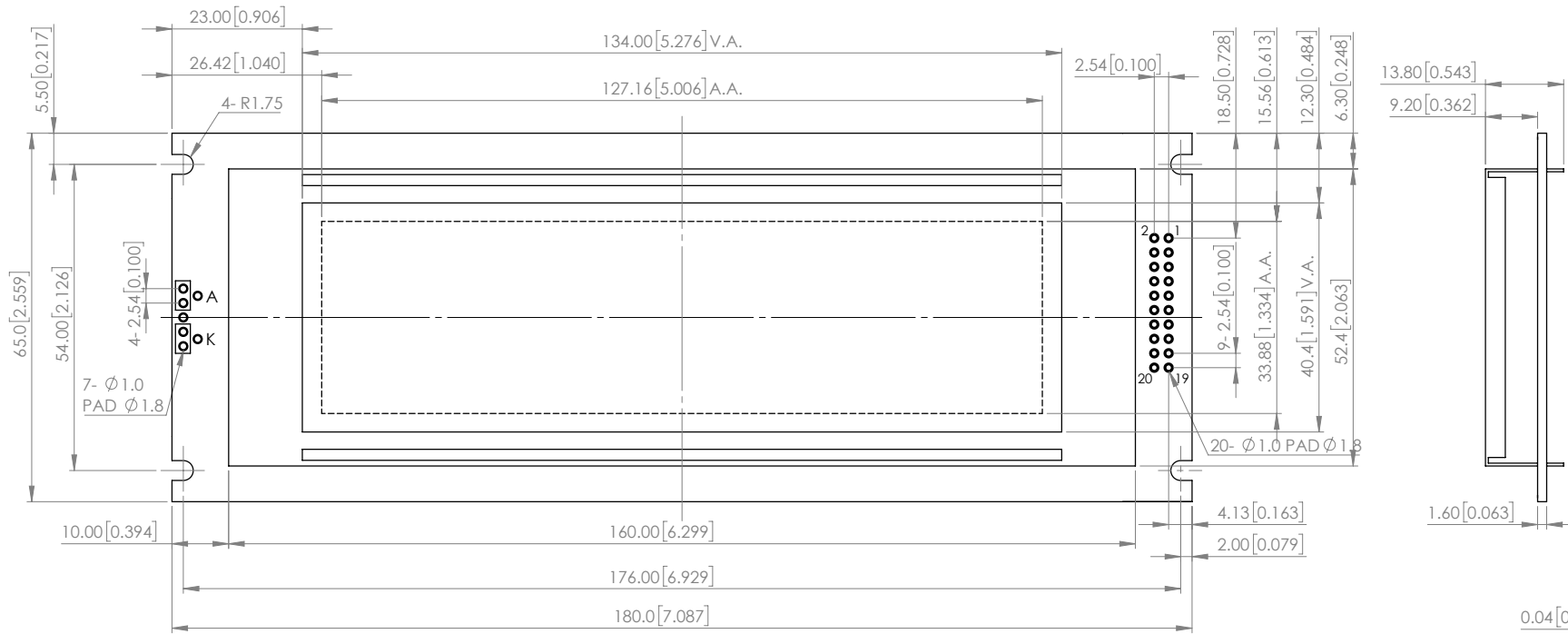
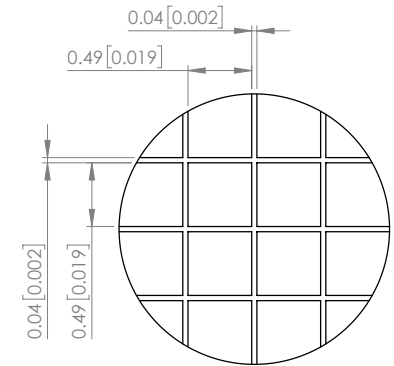


PART NUMBER		LCM-S24064GSF	REV	A
REV	E.C.N. NUMBER AND REVISION COMMENTS		DATE	
A	ECN-Lumex201800062		04.27.18	



PIN NO	SIGNAL
1	FGND
2	VSS
3	VDD
4	VO
5	/WR
6	/RD
7	/CE
8	C/D
9	NC
10	/RST
11	DB0
12	DB1
13	DB2
14	DB3
15	DB4
16	DB5
17	DB6
18	DB7
19	FS
20	NC



NOTE:
1. RoHS COMPLIANT.

*UNLESS OTHERWISE SPECIFIED TOLERANCES PER DECIMAL PRECISION ARE: X=±1 (±0.039), X.X=±0.5 (±0.020), X.XX=±0.25 (±0.010), X.XXX=±0.127 (±0.005). LEAD SIZE=±0.05 (±0.002), LEAD LENGTH=±0.75 (±0.030). MIN=^{+DECIMAL PRECISION}_{-0.00} MAX.=^{+0.00}_{-DECIMAL PRECISION}

	425 N. GARY AVE. CAROL STREAM, IL 60188 PHONE : 800-278-5666 FAX : 630-315-2150 WEB : WWW.LUMEX.COM	180.0(W)×65.0(H)×13.8(D)mm, 240x64 DOT MATRIX GRAPHIC LCD MODULE, STN GRAY, TRANSPARENT, 1/64 DUTY, LED BACKLIGHT.	DATE : 2018.04.27	DRAWN BY : C.C.	
	THE SPECIFICATIONS MAY CHANGE AT ANY TIME WITHOUT NOTICE DUE TO NEW MATERIALS OR PRODUCT IMPROVEMENT.		PAGE : 1 OF 4	CHKD BY : E.C.	
	CONFIDENTIAL INFORMATION THE INFORMATION CONTAINED IN THIS DOCUMENT IS THE PROPERTY OF LUMEX INC. EXCEPT AS SPECIFICALLY AUTHORIZED IN WRITING BY LUMEX INC., THE HOLDER OF THIS DOCUMENT SHALL KEEP ALL INFORMATION CONTAINED HEREIN CONFIDENTIAL AND SHALL PROTECT SAME IN WHOLE OR IN PART FROM DISCLOSURE AND DISSEMINATION TO ALL THIRD PARTIES.		SCALE : NTF	APRVD BY : G.Y.	
			UNIT : mm [INCH]	(9)	

GENERAL SPECIFICATION

ITEM	DESCRIPTION
LCD TYPE	STN, POSITIVE
REAR POLARIZER	TRANSFLECTIVE
BACKLIGHT TYPE	LED
BACKLIGHT COLOR	YELLOW GREEN
TEMPERATURE RANGE	NORMAL TEMP., 5V
VIEWING DIRECTION	6 O'CLOCK
VIEWING AREA	134.0 (W)mm x 40.4 (H)mm
MODULE SIZE	180 (W)mm x 65.0 (H)mm x 13.8 MAX(D)mm
PIXELS SIZE	0.49 x 0.49
PIXELS PITCH	0.53 x 0.53
DISPLAY FORMAT	240(W) x 64(H)
DUTY RATIO	1 / 64 DUTY

ABSOLUTE MAXIMUM RATING

(1) Electrical Absolute Ratings

ITEM	SYMBOL	MIN.	MAX.	UNIT
POWER SUPPLY FOR LOGIC	V _{DD} -V _{SS}	0	5.5	VOLT
POWER SUPPLY FOR LCD	V _{DD} -V _o	0	22	VOLT
INPUT VOLTAGE	V ₁	V _{SS}	V _{DD}	VOLT
LED BACKLIGHT POWER DISSIPATION	P _{AD}	-	5.0	W
LED BACKLIGHT FORWARD CURRENT	I _{AF}	-	990	mA
LED BACKLIGHT REVERSE VOLTAGE	V _R	-	8	V

(2) Environmental Absolute Maximum Ratings

ITEM	WIDE TEMPERATURE			
	OPERATING		STORAGE	
	MIN.	MAX.	MIN.	MAX.
AMBIENT TEMPERATURE	0°C	+50°C	-20°C	+70°C
HUMIDITY (WITHOUT CONDENSATION)	NOTE 1, 2		NOTE 3, 4	

Note 1: Ta ≤ 50°C: 80% RH max

Ta > 50°C: Absolute humidity must be lower than the humidity of 85%RH at 50°C

Note 2: Background color changes slightly depending on ambient temperature.

This phenomenon is reversible.

Note 3: Ta at -20°C will be <48hrs at 70°C will be <120hrs when humidity is higher than 75%.

Note 4: Ta ≤ 70°C: 75RH max

Ta > 70°C: absolute humidity must be lower than the humidity of 75%RH at 70°C

*UNLESS OTHERWISE SPECIFIED TOLERANCES PER DECIMAL PRECISION ARE: X=±1 (±0.039), X.X=±0.5 (±0.020), X.XX=±0.25 (±0.010), X.XXX=±0.127 (±0.005). LEAD SIZE=±0.05 (±0.002), LEAD LENGTH=±0.75 (±0.030). MIN= ^{+0.00} -0.00 DECIMAL PRECISION MAX= ^{+0.00} -DECIMAL PRECISION



425 N. GARY AVE.
CAROL STREAM, IL 60188
PHONE : 800-278-5666
FAX : 630-315-2150
WEB : WWW.LUMEX.COM

180.0(W)×65.0(H)×13.8(D)mm, 240x64 DOT MATRIX GRAPHIC LCD MODULE, STN GRAY, TRANSFLECTIVE, 1/64 DUTY, LED BACKLIGHT.

****THE SPECIFICATIONS MAY CHANGE AT ANY TIME WITHOUT NOTICE DUE TO NEW MATERIALS OR PRODUCT IMPROVEMENT.****

CONFIDENTIAL INFORMATION
THE INFORMATION CONTAINED IN THIS DOCUMENT IS THE PROPERTY OF LUMEX INC. EXCEPT AS SPECIFICALLY AUTHORIZED IN WRITING BY LUMEX INC., THE HOLDER OF THIS DOCUMENT SHALL KEEP ALL INFORMATION CONTAINED HEREIN CONFIDENTIAL AND SHALL PROTECT SAME IN WHOLE OR IN PART FROM DISCLOSURE AND DISSEMINATION TO ALL THIRD PARTIES.

DATE : 2018.04.27	DRAWN BY : C.C.
PAGE : 2 OF 4	CHKD BY : E.C.
SCALE : NTF	APRVD BY : G.Y.
UNIT : mm [INCH]	Ⓢ


ELECTRICAL CHARACTERISTICS

ITEM	SYMBOL	CONDITION	MIN.	TYP.	MAX.	UNIT
POWER SUPPLY FOR LOGIC	VDD-VSS	-	4.5	5.0	5.5	VOLT
POWER SUPPLY FOR LCD	VEE-VSS	-	-14.1	-14.4	-14.8	VOLT
INPUT VOLTAGE	VIL	L LEVEL	0	-	0.8	VOLT
	VIH	H LEVEL	-2.2 VDD	-	VDD	VOLT
	VDD-VO	Ta=25°C	10.8	12.2	13.1	VOLT
POWER SUPPLY CURRENT FOR LCM	IDD	VDD=5.0V VDD-VO=12.2V	-	16.0	25.0	mA
THE BRIGHTNESS OF BACKLIGHT	L	If=690mA	120	180	-	cd/m ²
PEAK EMISSION WAVELENGTH	λP	If=690mA	565	570	575	nm
LED FORWARD VOLTAGE	VF	If=690 mA	-	4.1	4.6	VOLT

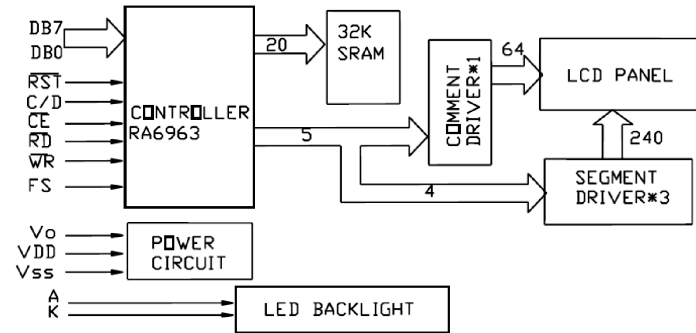
ELECTRICAL CHARACTERISTICS

PIN NO.	PIN OUT	FUNCTION DESCRIPTION
1	FGND	For GND
2	VSS	Power Supply Ground
3	VDD	Power Supply Voltage
4	Vo	Contrast Adjustment Voltage
5	/WR	Data Write
6	/RD	Data Read
7	/CE	Enable Signal
8	C/D	WR='L', C/D='H': Command Write WR='L', C/D='L': Data Write RD='L', C/D='H': Status Read RD='L', C/D='L': Data Read
9	VEE	No Connection
10	/RST	Reset Signal
11	DB0	Data Bit 0
12	DB1	Data Bit 1
13	DB2	Data Bit 2
14	DB3	Data Bit 3
15	DB4	Data Bit 4
16	DB5	Data Bit 5
17	DB6	Data Bit 6
18	DB7	Data Bit 7
19	FS	H : 6*8/L : 8*8 Select of Font
20	NC	No Connection

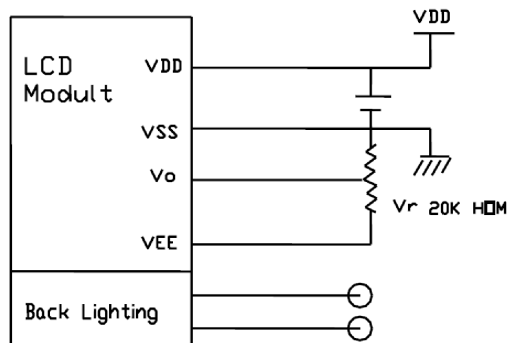
*UNLESS OTHERWISE SPECIFIED TOLERANCES PER DECIMAL PRECISION ARE: X=±1 (±0.039), X.X=±0.5 (±0.020), X.XX=±0.25 (±0.010), X.XXX=±0.127 (±0.005). LEAD SIZE=±0.05 (±0.002), LEAD LENGTH=±0.75 (±0.030). MIN=^{+DECIMAL PRECISION}_{-0.00} MAX.=^{+0.00}_{-DECIMAL PRECISION}

 <p>425 N. GARY AVE. CAROL STREAM, IL 60188 PHONE : 800-278-5666 FAX : 630-315-2150 WEB : WWW.LUMEX.COM</p>	180.0(W)×65.0(H)×13.8(D)mm, 240x64 DOT MATRIX GRAPHIC LCD MODULE, STN GRAY, TRANSPARENT, 1/64 DUTY, LED BACKLIGHT.	DATE : 2018.04.27	DRAWN BY : C.C.	
	THE SPECIFICATIONS MAY CHANGE AT ANY TIME WITHOUT NOTICE DUE TO NEW MATERIALS OR PRODUCT IMPROVEMENT.	PAGE : 3 OF 4	CHKD BY : E.C.	
	CONFIDENTIAL INFORMATION THE INFORMATION CONTAINED IN THIS DOCUMENT IS THE PROPERTY OF LUMEX INC. EXCEPT AS SPECIFICALLY AUTHORIZED IN WRITING BY LUMEX INC., THE HOLDER OF THIS DOCUMENT SHALL KEEP ALL INFORMATION CONTAINED HEREIN CONFIDENTIAL AND SHALL PROTECT SAME IN WHOLE OR IN PART FROM DISCLOSURE AND DISSEMINATION TO ALL THIRD PARTIES.	SCALE : NTF	APRVD BY : G.Y.	
		UNIT : mm [INCH]		

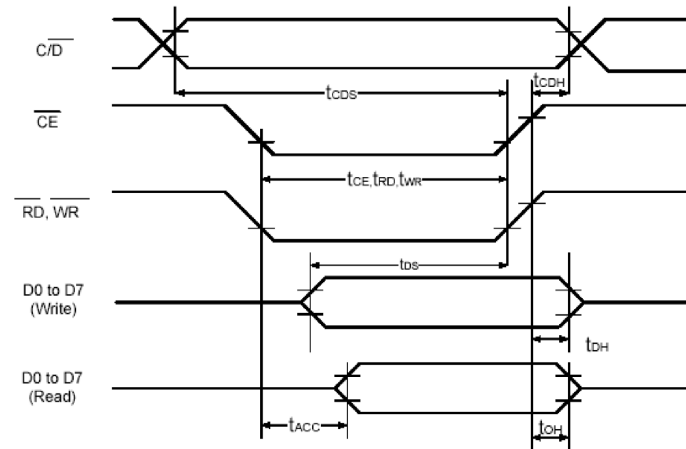
BLOCK DIAGRAM



POWER SUPPLY



TIMING CHARACTERISTIC



ITEM	SYMBOL	TEST CONDITIONS	MIN	MAX	UNIT
C/D Set Up Time	t_{CDS}	--	100	--	ns
C/D Hold Time	t_{CDH}	--	10	--	ns
/CE, /RD, /WR Pulse Width	t_{CE}, t_{RD}, t_{WR}	--	80	--	ns
Data Set Up Time	t_{DS}	--	80	--	ns
Data Hold Time	t_{DH}	--	40	--	ns
Access Time	t_{ACC}	--	--	150	ns
Output Hold Time	t_{OH}	--	10	50	ns

*UNLESS OTHERWISE SPECIFIED TOLERANCES PER DECIMAL PRECISION ARE: X=±1 (±0.039), X.X=±0.5 (±0.020), X.XX=±0.25 (±0.010), X.XXX=±0.127 (±0.005). LEAD SIZE=±0.05 (±0.002), LEAD LENGTH=±0.75 (±0.030). MIN=+DECIMAL PRECISION -0.00, MAX.=+0.00 -DECIMAL PRECISION



425 N. GARY AVE.
CAROL STREAM, IL 60188
PHONE : 800-278-5666
FAX : 630-315-2150
WEB : WWW.LUMEX.COM

180.0(W)×65.0(H)×13.8(D)mm, 240x64 DOT MATRIX GRAPHIC LCD MODULE, STN GRAY, TRANSPARENT, 1/64 DUTY, LED BACKLIGHT.

THE SPECIFICATIONS MAY CHANGE AT ANY TIME WITHOUT NOTICE DUE TO NEW MATERIALS OR PRODUCT IMPROVEMENT.

CONFIDENTIAL INFORMATION
THE INFORMATION CONTAINED IN THIS DOCUMENT IS THE PROPERTY OF LUMEX INC. EXCEPT AS SPECIFICALLY AUTHORIZED IN WRITING BY LUMEX INC., THE HOLDER OF THIS DOCUMENT SHALL KEEP ALL INFORMATION CONTAINED HEREIN CONFIDENTIAL AND SHALL PROTECT SAME IN WHOLE OR IN PART FROM DISCLOSURE AND DISSEMINATION TO ALL THIRD PARTIES.

DATE : 2018.04.27	DRAWN BY : C.C.
PAGE : 4 OF 4	CHKD BY : E.C.
SCALE : NTF	APRVD BY : G.Y.
UNIT : mm [INCH]	⑧

Mouser Electronics

Authorized Distributor

Click to View Pricing, Inventory, Delivery & Lifecycle Information:

[Lumex:](#)

[LCM-S24064GSF](#)