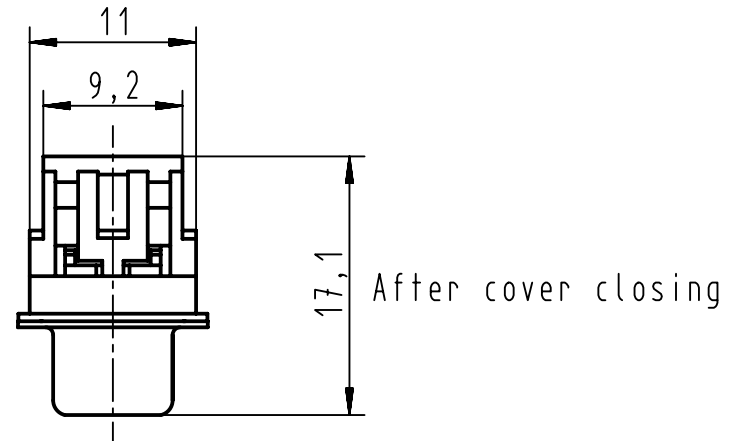
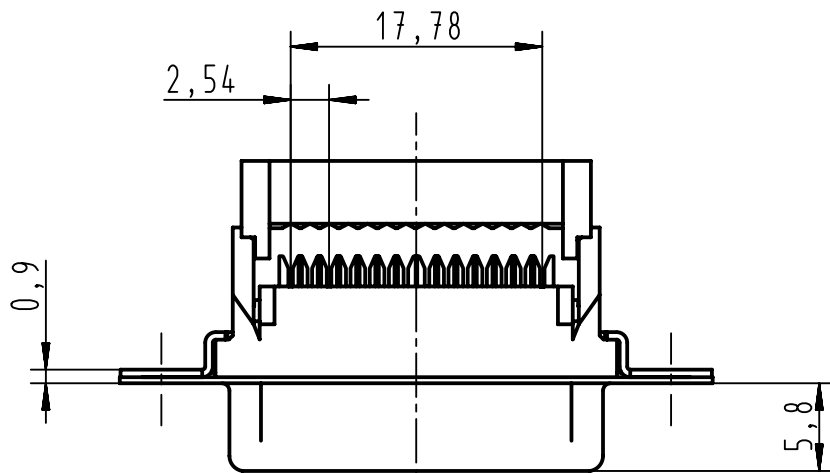
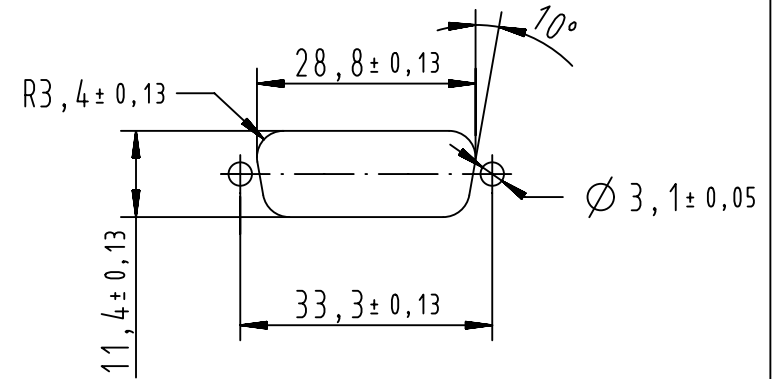
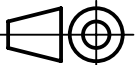



Recommended panel cutout dimensions  
for rear mounting  
According to CECC 75 301-802



After cover closing

 All Dimensions in mm Original Size DIN A4		Scale 2:1	Free size tol.			Ref.
 All rights reserved Department EC PD - FR		Created by DOUGE	Inspected by BAGDIKIAN	Standardisation HOFFMANN	Date 2013-04-23	State Final Release
HARTING Electronics GmbH D-32339 Espelkamp		Title D-Sub IDC 15P female straight				Doc-Key / ECM-Nr. 100527183/UGD/001/A 5300000858839
D	09662187500	PL3	Type TB	Number 0966218X500		Rev. <b>A</b> Page 1/1
	09662186500	PL2				
	Part number	Performance level				