

Standard terminal blocks

Compression clamp

DIN 1 - 3



Test connector : See Accessories section

End stop	th. 9 mm	BADL V0	0199 408.02
End stop	th. 9,1 mm	BAM	0103 002.26
Rail	35 x 7,5 x 1	PR30 prepunched	0173 220.05
Rail	35 x 15 x 2,3	PR4	0168 500.12
Rail	35 x 15 x 1,5	PR5 prepunched	0101 598.26
Rail	32 x 15 x 1,5	PR1Z2	0163 050.04

Other end stops and rails : See Accessories section

Characteristics

Wire size

	IEC	UL	CSA
	NFC DIN		
Compression Solid wire	0,2-4 mm ²	24-12 AWG	24-12 AWG
Stranded wire	0,22-2,5 mm ²	24-12 AWG	24-12 AWG

Voltage

	800 V	600 V	600 V
Rated			
Pulse	8 kV		
Pollution degree	3		

Current

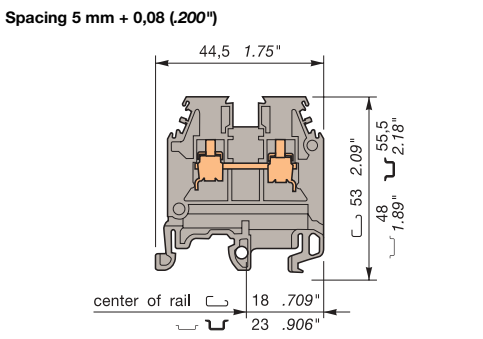
	24 A	30 A	25 A
Rated			

Wire size

Rated / Gauge	2,5 mm ² / A3	12 AWG	12 AWG
Wire stripping length	Recomm. Screwdriver	Recomm. torque	Protection
10 mm	3,5 mm	0,4-0,6 Nm	IP 20
.39"	.137"	3,5-5,3 lb.in	NEMA 1

Notes
The use of some accessories may decrease the block's voltage rating. For more information, consult us.

MA 2,5/5...



Standard 5 mm block. **0115 486.03**

Color	Type	Part numbers
Standard blocks		
Grey	MA 2,5/5	0115 486.03
Blue	MA 2,5/5.N	0125 486.05
Yellow	MA 2,5/5	0105 486.12
White	MA 2,5/5	0105 052.21
Orange	MA 2,5/5	0105 075.20
Beige V0	MA 2,5/5.V0	0195 486.04
Blue V0	MA 2,5/5.N.V0	0199 010.21



Accessories

Accessories	Type	Part numbers
1 End section	grey	FEM6 th. 2,8 mm 0118 368.16
	blue	FEM6 th. 2,8 mm 0128 368.10
	orange	FEM6 th. 2,8 mm 0103 126.16
	yellow	FEM6 th. 2,8 mm 0103 062.21
	green	FEM6 th. 2,8 mm 0103 125.15
	white	FEM6 th. 2,8 mm 0103 312.20
	beige	FEM6 V0 V0 th. 2,8 mm 0198 368.17
	blue	FEM6 V0 V0 th. 2,8 mm 0199 302.07
	yellow	FEM6 V0 V0 th. 2,8 mm 0199 305.02
	grey	FEM61 (2) th. 3,0 mm 0114 776.23
grey	FEM6C (2) th. 3,0 mm 0114 777.24	
grey	SCMA5 th. 3,0 mm 0116 728.25	
grey	SCF6 th. 3,0 mm 0118 707.03	
blue	SCF6 th. 3,0 mm 0128 707.05	
beige	SCF6 V0 V0 th. 3,0 mm 0198 707.04	
grey	SCF61 th. 3,0 mm 0114 202.25	
grey	SCFM6 (2) th. 3,0 mm 0114 825.05	
grey	SCFEX1 (2) th. 2,4 mm 0103 619.04	
grey	SCFCX3 (2) th. 2,4 mm 0103 620.01	
grey	SCFCV1-2 (2) th. 3,0 mm 0116 795.11	
beige	SCFCV1-2 V0(2)V0 th. 3,0 mm 0196 795.12	
grey	CPM (for FEM6C, SCF6(V0) and SCFM6) 0187 312.14	
grey	CPV1-2 (for SCFCV1-2...) 0176 816.12	
grey	AL2 (1) DIA. 2 mm 0163 046.24	
blue	DCB blue 0105 028.21	
blue	FC2 DIA. 2 mm 0007 865.26	
24 A	BJM5 (1) 2 poles 0176 273.01	
24 A	BJM5 (1) 3 poles 0176 274.02	
24 A	BJM5 (1) 4 poles 0176 275.03	
24 A	BJM5 (1) 5 poles 0176 276.04	
24 A	BJM5 (1) 10 poles 0176 277.05	
24 A	BJM5 (1) 2 poles 0176 278.16	
24 A	BJM5 (1) 3 poles 0176 279.17	
24 A	BJM5 (1) 4 poles 0176 280.05	
24 A	BJM5 (1) 5 poles 0176 281.22	
24 A	BJM5 (1) 10 poles 0176 282.23	
24 A	BJS5 (1) 20 poles 0177 652.06	
24 A	EV5 0168 629.16	
24 A	EL6 0173 627.21	
24 A	BJE5.2 2 poles 0199 227.23	
24 A	BJE5.3 3 poles 0199 228.04	
24 A	BJE5.4 4 poles 0199 298.03	
24 A	BJE5.5 5 poles 0199 299.04	
24 A	BJE5.6 6 poles 0299 861.03	
24 A	BJE5.7 7 poles 0299 862.04	
24 A	BJE5.8 8 poles 0299 863.05	
24 A	BJE5.9 9 poles 0299 864.06	
24 A	BJE5.10 10 poles 0199 443.24	
24 A	BJB 0199 466.23	
24 A	BJA5 10 poles 0205 021.26	
30 A	PC5 2 poles 0113 542.10	
30 A	PC5 10 poles 0113 544.12	
30 A	EIP 0113 550.24	
Insulating tip	CBM5 th. 0,5 mm 0178 745.14	
Shield connector	CBM8 th. 0,8 mm 0178 746.15	
Protection label	EPU5 0107 033.10	

R See section on marking method
 Note : (1) A circuit separator SC may be required with the use of these accessories.
 (2) End section and circuit separator snapped on rails.