

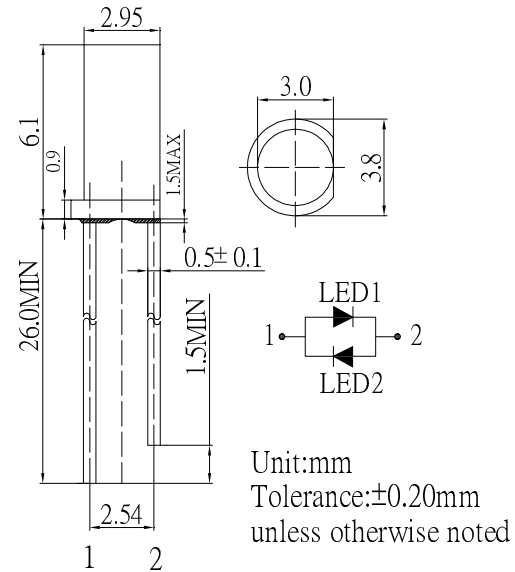
**■ Features**

- High Luminous LEDs
- 3mm Cylindrical Flat Top Standard Directivity
- UV Resistant Epoxy
- Color Diffused / W&M: White Diffused
- AC LED

**■ Applications**

- Toys
- Audio
- Games
- Other Lighting

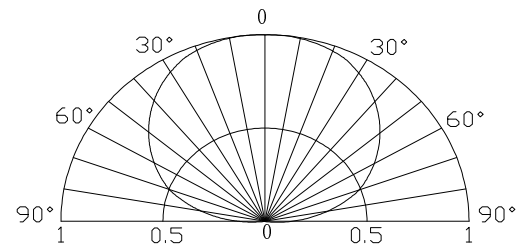
**■ Outline Dimension**



**■ Absolute Maximum Rating (Ta=25°C)**

Item	Symbol	Value		Unit
		W/M/B/PG	YG/Y/O/R	
DC Forward Current	I <sub>F</sub>	30	30	mA
Pulse Forward Current*	I <sub>FP</sub>	100	100	mA
Reverse Voltage	V <sub>R</sub>	5	5	V
Power Dissipation	P <sub>D</sub>	102	78	mW
Operating Temperature	T <sub>opr</sub>	-30 ~ +85		°C
Storage Temperature	T <sub>stg</sub>	-40~ +100		°C
Lead Soldering Temperature	T <sub>sol</sub>	260°C/5sec		-

**■ Directivity**



\*Pulse width Max.10ms Duty ratio max 1/10

Part Number	Color			V <sub>F</sub> (V)			I <sub>v</sub> (mcd)			λD(nm)/CCT(K)			θ1/2(deg)
				Min.	Typ.	Max.	Min.	Typ.	Max.	Min.	Typ.	Max.	Typ.
				I <sub>F</sub> =20mA			I <sub>F</sub> =20mA						
OSWWD23NE2A	White	W		2.7	2.9	3.4	750	1120	-	CCT: 8500-18000K			140
OSMMD23NE2A	Warm White	M	■	2.7	2.9	3.4	750	1120	-	CCT:2700-3300K			140
OSBBS23NE4A	Blue	B	■	2.7	2.9	3.4	330	500	-	465	465	475	140
OSPPD23NE4A	Pure Green	PG	■	2.7	2.9	3.4	750	1120	-	520	525	530	140
OSGGH23NE4A	Yellow Green	YG	■	1.8	2.1	2.6	68	100	-	565	570	575	140
OSYYR23NE4A	Yellow	Y	■	1.8	2.1	2.6	150	220	-	585	590	595	140
OSOOJ23NE4A	Orange	O	■	1.8	2.1	2.6	150	220	-	600	605	610	140
OSRRR23NE4A	Red	R	■	1.8	2.1	2.6	150	220	-	620	625	630	140

\*1 Tolerance of measurements of Domi. wavelength is ±1nm  
\*3 Tolerance of measurements of luminous intensity is ±15%

\*2 Tolerance of measurements of chromaticity coordinates is +10%  
\*4 Tolerance of measurements of forward voltage is ±0.1V