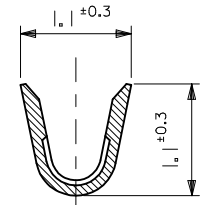
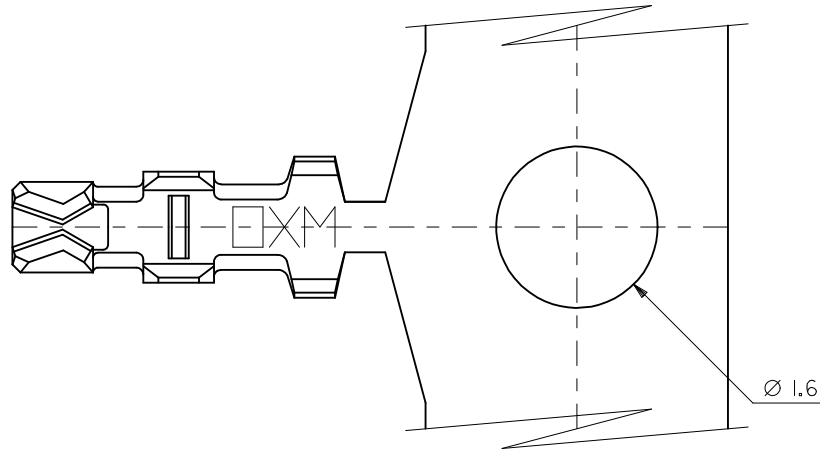
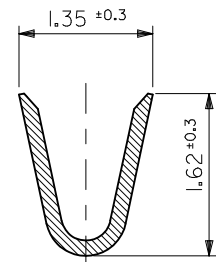


注記
NOTES

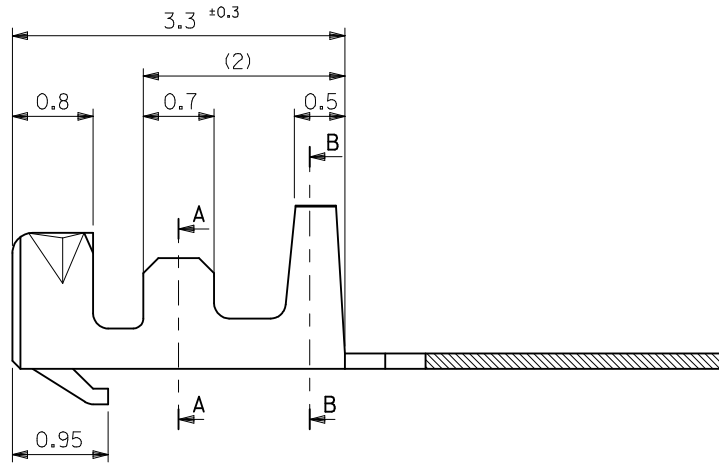
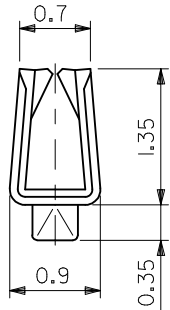
1. 適合ハウジング：51021シリーズ
APPLICABLE HOUSING：51021 SERIES



SECT. A-A



SECT. B-B



CONTACT AREA: GOLD PLATING (0.38µm MIN.) CRIMP BARREL AREA: TIN PLATING (14µm MIN.) (HEAT TREATED MATTE TIN) UNDERPLATE: NICKEL OVERALL	CHAIN	500798025
PRE-TIN PLATED (HEAT TREATED MATTE TIN) PLATING THICKNESS: 0.94µm MIN.	LOOSE	500798100
	CHAIN	500798000
PLATING	FORM	MATERIAL NO.

MODEL NO. 50079-8***

材料 MATERIAL リン青銅 (t=0.15) PHOSPHOR BRONZE 仕上げ FINISH — 適用電線範囲 WIRE RANGE AWG #26-28 被覆外径 INS. RANGE φ0.5-1.04	REVISED EC NO: J2017-0429 DRWN:SOBARA01 2017/02/15 CHK:DAIDA 2017/02/15 APPR:KANeko 2017/02/16	GENERAL TOLERANCES (UNLESS SPECIFIED)			DIMENSION STYLE MM ONLY		SCALE 20:1	DESIGN UNITS METRIC	THIRD ANGLE PROJECTION
		0.25 UNDER	UNDER	±0.2	DRAWN BY HIRAMOT	DATE 92/10/21	TITLE PICOBLADE 1.25 CRIMP REC.TERMINAL		
		0.25 OVER	0.5 UNDER	±0.2	CHECKED BY SKUNISHI	DATE 98/07/07	molex DOCUMENT NO. SD-50079-001 SHEET NO. 1 OF 1		
		0.5 OVER	1.0 UNDER	±0.2	APPROVED BY MFUKUSHI	DATE 98/07/07			
		1.0 OVER	30 UNDER	±0.25	MATERIAL NO.	SEE CHART			
30 OVER		±0.3	DRAFT WHERE APPLICABLE MUST REMAIN WITHIN DIMENSIONS						

10 9 8 7 6 5 4 3 2 1

F

F

E

E

D

D

C

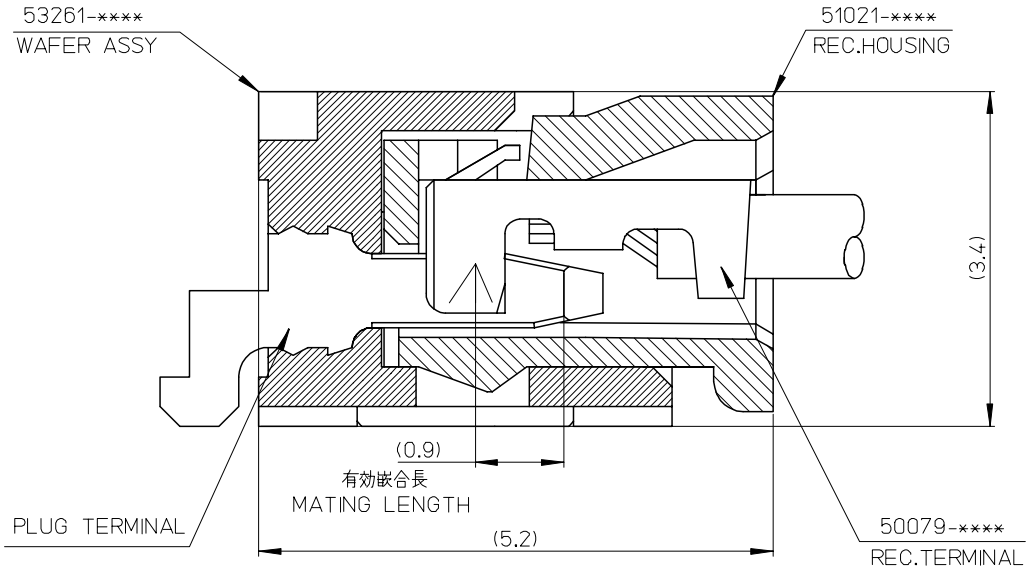
C

B

B

A

A



53261-****	WAFER ASSY	MODEL NO./MATERIAL NO.
50079-****	TERMINAL	
51021-****	HOUSING	

RELEASED EC NO: J2006-2426 DRWN: A0YAGI 2006/02/02 CHKD: YMAEDA 2006/02/03 APPR: NUKITA 2006/02/07	GENERAL TOLERANCES (UNLESS SPECIFIED)		DIMENSION STYLE MM ONLY		SCALE ---	DESIGN UNITS METRIC	THIRD ANGLE PROJECTION		
	10 UNDER	± ---	DRAWN BY Y. A0YAGI	DATE 2006/01/30	TITLE 1.25 W-TO-B CONN. 51021,53261 MATING CROSS SECTION				
	10 OVER 30 UNDER	± ---	CHECKED BY Y. MAEDA	DATE 2006/01/30	MOLEX INCORPORATED				
	30 OVER	± ---	APPROVED BY N. UKITA	DATE 2006/01/30	MATERIAL NO. SEE CHART		DOCUMENT NO. SD-51021-002	SHEET NO. 1 OF 1	
	ANGULAR	± --- °	THIS DRAWING CONTAINS INFORMATION THAT IS PROPRIETARY TO MOLEX INCORPORATED AND SHOULD NOT BE USED WITHOUT WRITTEN PERMISSION						
0	DRAFT WHERE APPLICABLE MUST REMAIN WITHIN DIMENSIONS		SIZE A3						

9

8

7

6

5

4

3

2