



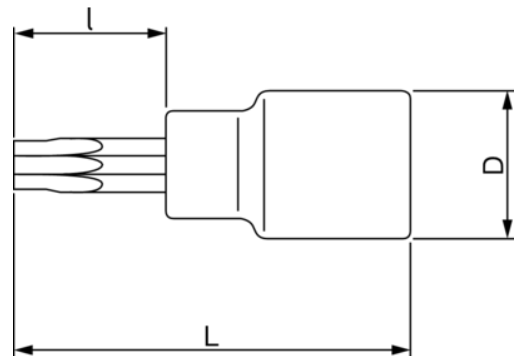
TAH08TTAH

1/4" Square Drive Socket Drivers for TORX® Head Screws with 4 Points Solution



PRODUCT DETAILS




- Not suitable for machine operation
- Knurled area for better grip
- Highly polished finish
- High-performance alloy steel
- Standards: ISO 1174, DIN 3120
- Suitable for working at height
- 4 side lock holes ensure positive retention and full functionality
- Colour plate with maximum weight to match with lanyard
- According to DROPS best practices



Follow the Fish!



PRODUCT ATTRIBUTES

| Product |  | I | L | D |  |  |
|------------------|---|----------|----------|----------|---|---|
| TAH08-T8 | T-8 | 16 mm | 36 mm | 12 mm | M2.5 | 20 g |
| TAH08-T9 | T-9 | 16 mm | 36 mm | 12 mm | - | 10 g |
| TAH08-T10 | T-10 | 16 mm | 36 mm | 12 mm | M3 | 10 g |
| TAH08-T15 | T-15 | 16 mm | 36 mm | 12 mm | M3.5 | 12 g |
| TAH08-T20 | T-20 | 16 mm | 36 mm | 12 mm | M4 | 12 g |
| TAH08-T25 | T-25 | 16 mm | 36 mm | 12 mm | M5 | 20 g |
| TAH08-T27 | T-27 | 16 mm | 36 mm | 12 mm | - | 15 g |
| TAH08-T30 | T-30 | 16 mm | 36 mm | 12 mm | M6 | 15 g |
| TAH08-T40 | T-40 | 20 mm | 36 mm | 12 mm | M8 | 20 g |

