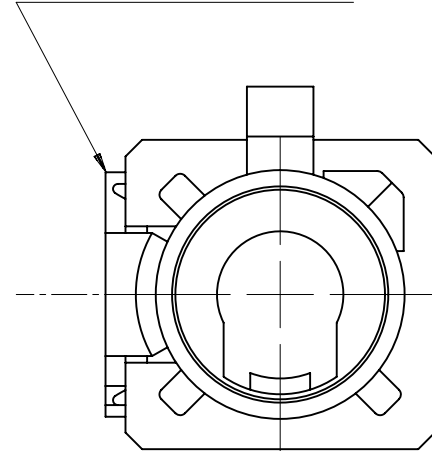


Variable X have to be stated within the drawing number when a order is placed.

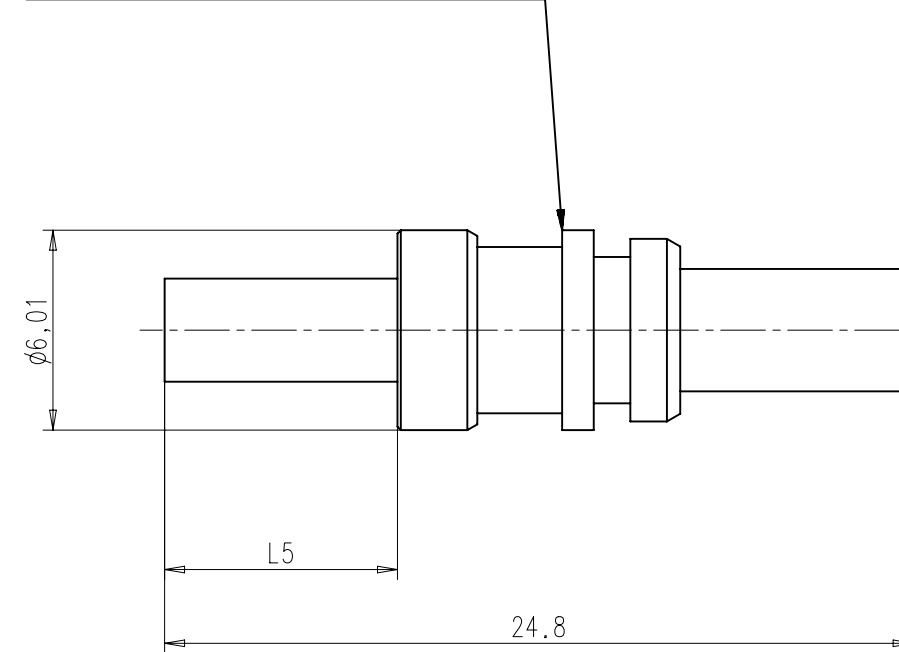
Plug / Stecker				
Variable X=Coding				
Code A	Code B	Code C	Code D	Code E
Black 9005	Cream White 9001	Blue 5005	Bordeaux 4004	Green 6002
Code F	Code G	Code H	Code I	Code K
Brown 8011	Grey 7031	Violett 4003	Beige 1001	Curry 1027
Code L	Code M	Code N	Code Z	
Carminie red 3002	Pastel orange 2003	Pastel green 6019	Water blue 5021	

(b)

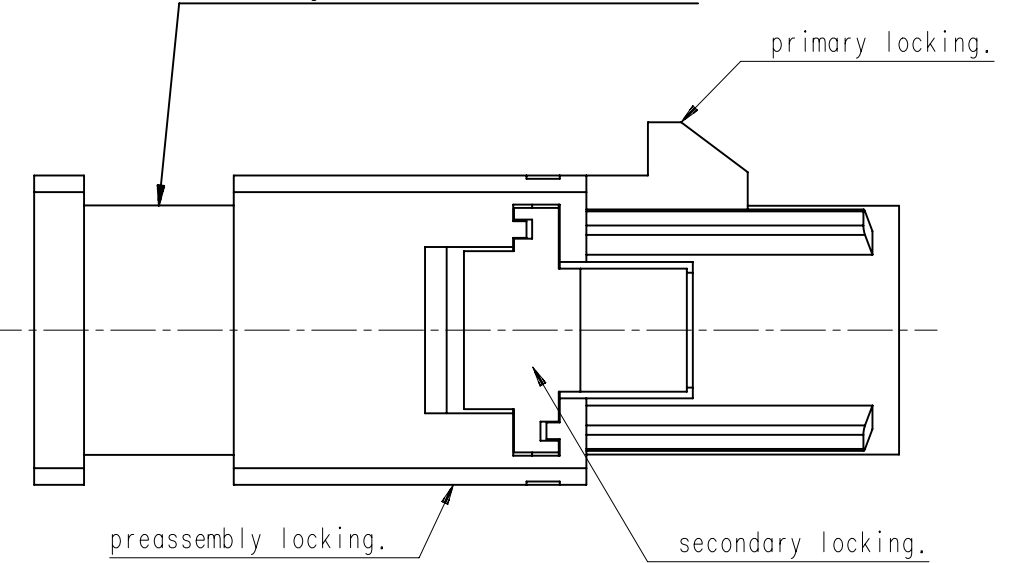
View with preassembled secondary locking, and without inserted SMBA connector.



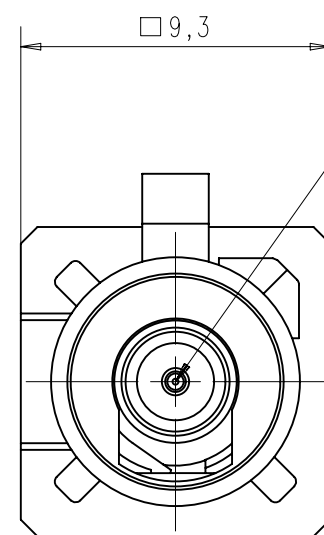
Ordering no.: 4101.SMBA.1010.OYZ.99



Ordering no.: 4101.SMBA.1X10.OYZ.98

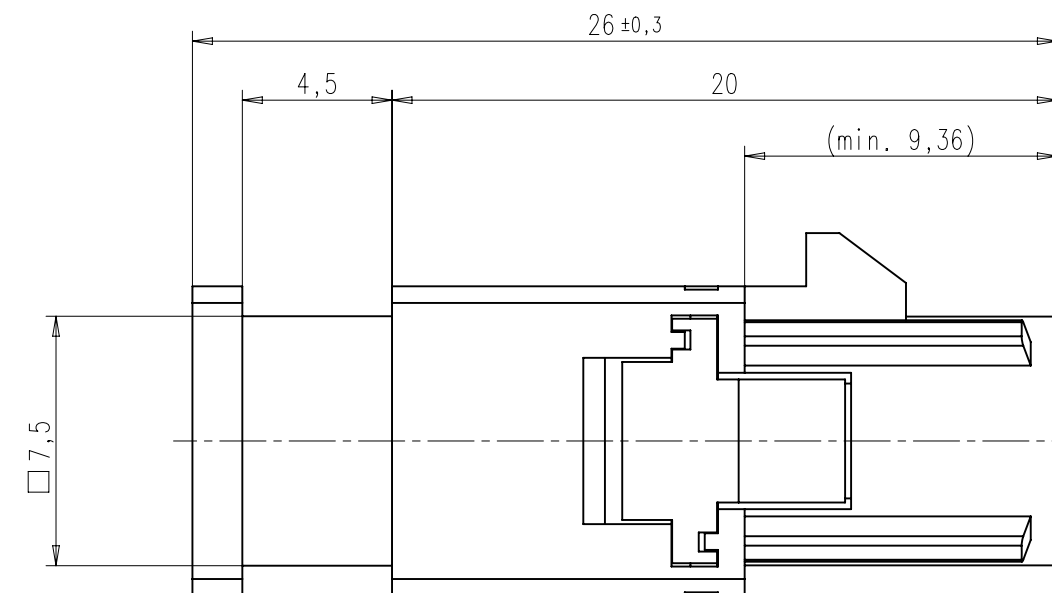


View with preassembled secondary locking and without inserted SMBA connector.



Interface acc. to - DIN 72594

View with inserted SMBA connector.



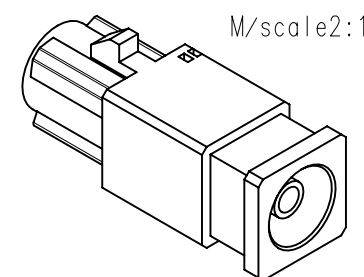
Ordering no.: 3401.SMBA.1X10.OYZ

View with inserted SMBA connector.

Variable Z= Plating

Part	Material	Variable Z =		
		1	5	9
Plastic Housing	PBT			
Centre Socket	brass			Au
Outer Contact	brass			Ni
Insulator	PE/PTFE			
Crimp ferrule	brass copper			Ni

Y Variable	Cable type	Assembly Instruction
2	RG-174	M-193
3	LL32	M-194



IMS CONNECTOR SYSTEMS						general tolerance	ISO 2768	scale
						ISO 2768	m	(2:1)
							0,5-3: ±0,1	Assembly Instruction:
							3-6: ±0,1	Stripping dimensions: see table
							6-30: ±0,2	
						date	name	
						generate	24.08.06	Renz
						checked		
						Norm		
						04.7815		
EC-123-11	c	PBT was PA	14.10.11	eKl				Kabelstecker Cable mount plug
EC-135-10	b	Coding Z add	09.11.10	EKI				
design	a	Ueberarbeitung	14.09.07	Renz				4101.SMBA.1X10.OYZ
nr.	rev	alteration	date	name				