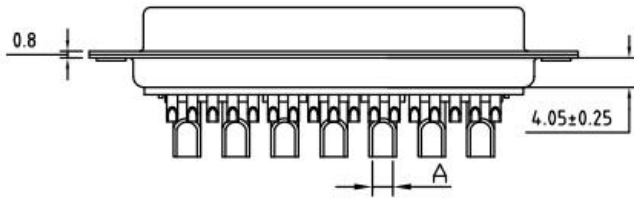
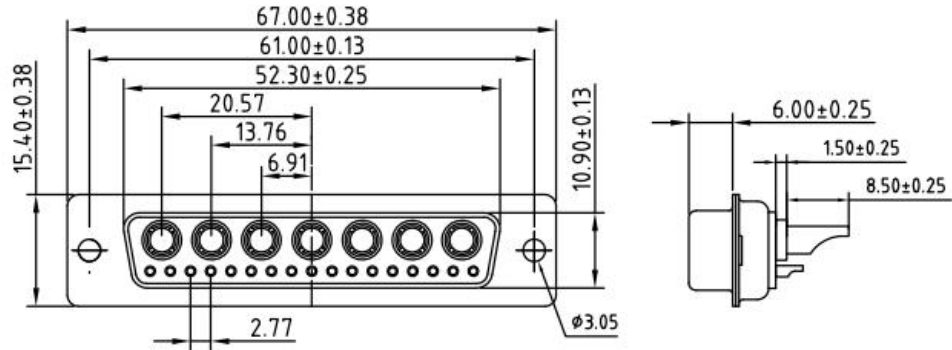


ROHS COMPLIANT

REV.	DESCRIPTION	DATE	ECN NO.
01	NEW DESIGN	2018/10/26	-



REMARKS:

1. MATERIALS AND FINISH

SHELL : STEEL MATERIAL, FRONT NICKEL FINISHED
 BACK SHELL TIN FINISHED
 INSULATOR : PBT THERMOPLASTIC, 30% GLASS
 FILLED, UL 94V-0 RATED
 CONTACT MATERIAL : BRASS
 CONTACT FINISH : FULL GOLD FLASH

2. ELECTRICAL CHARACTERISTICS

SMALL CURRENT TERMINAL RATING : 5.0 AMPS; HIGH CURRENT TERMINAL RATING: 10~40AMPS
 SMALL TERMINAL CONTACT RESISTANCE : 30 MILLIOHMS(MAX).
 HIGH CURRENT TERMINAL CONTACT RESISTANCE: 2.7 MOHM(MAX).
 DIELECTRIC WITHSTANDING VOLTAGE : 1000 V AC MIN.
 INSULATION RESISTANCE : 5000 MEGAOHMS MIN.
 TEMPERATURE RATING : -55°C ~ +125°C

Current Rating	Dimension
	φ A
40 AMPS	φ3.75
30 AMPS	φ3.2
20 AMPS	φ2.8
10 AMPS	φ1.7

DRAWN:	JEFF.ZHOU	2018.10.26	东莞市赢海电子有限公司
CHECKED:	KEVIN.JING	2018.10.26	
APPROVED:	JINGUO.YANG	2018.10.26	
	Sheet 1 of 1	Code 000	TITLE:
Dimensions in mm(inches)		Scale 1:1	24W7_POWER CURRENT CONNECTOR,SOLDER TYPE
TOLERANCE UNLESS SPECIFIED: .XX ± 0.13		Angles:±2°	REV. 01 Part No: GDM24W7F-20A180°