
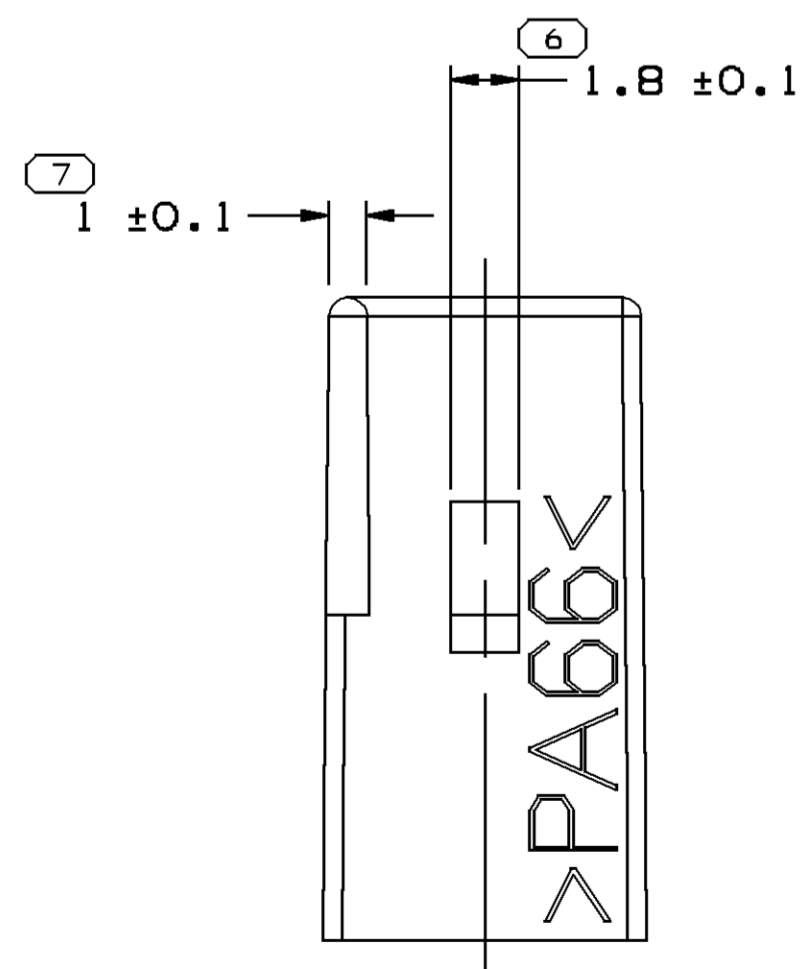
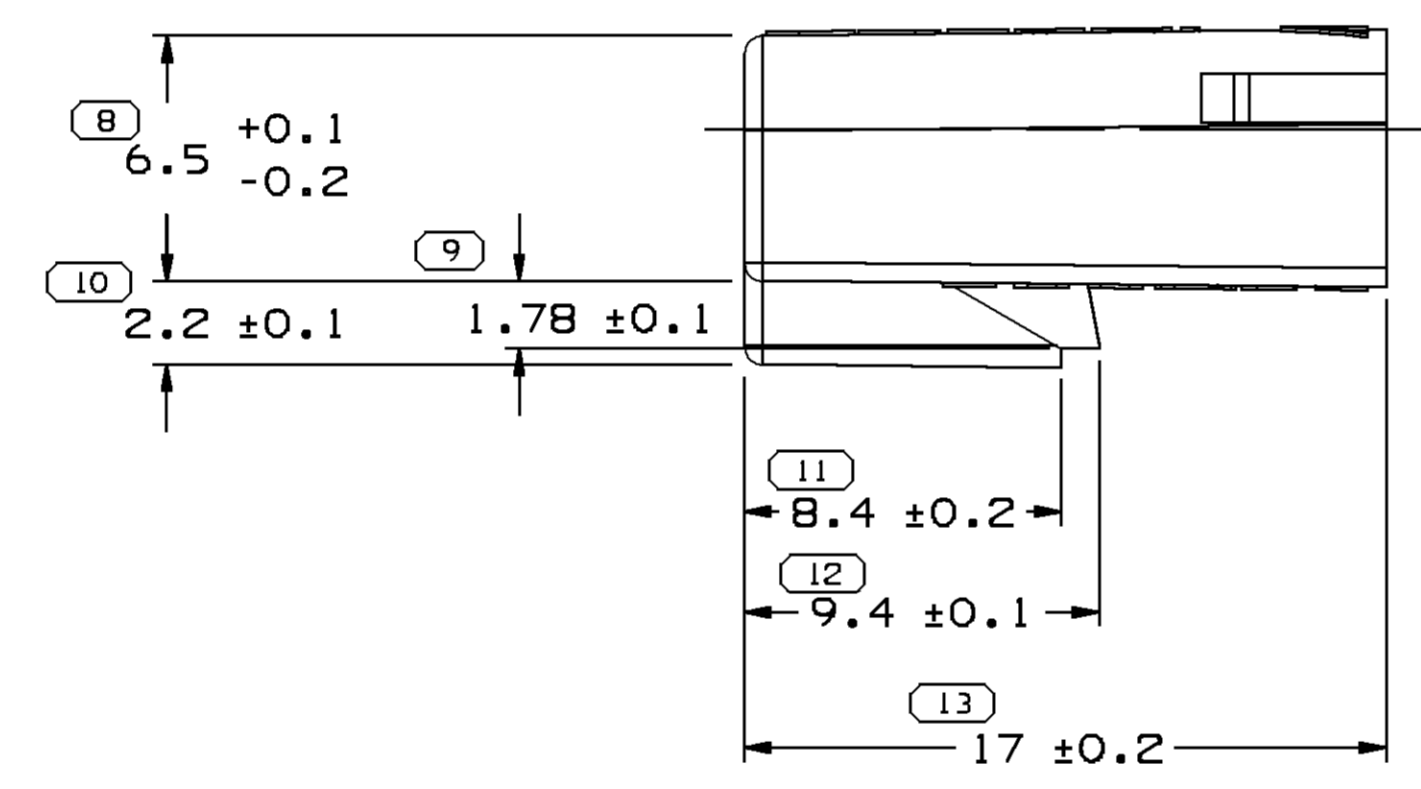
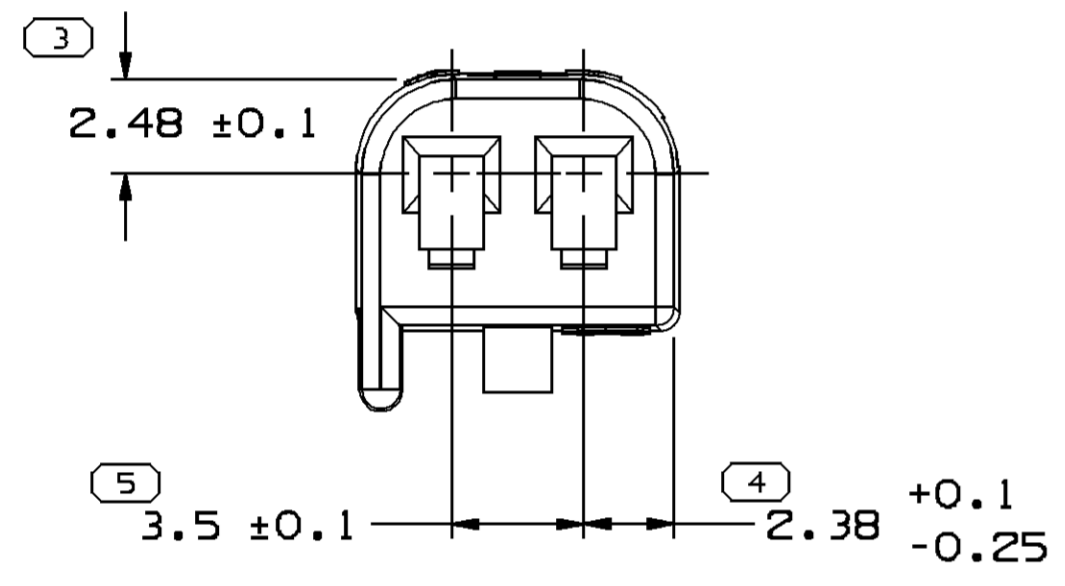
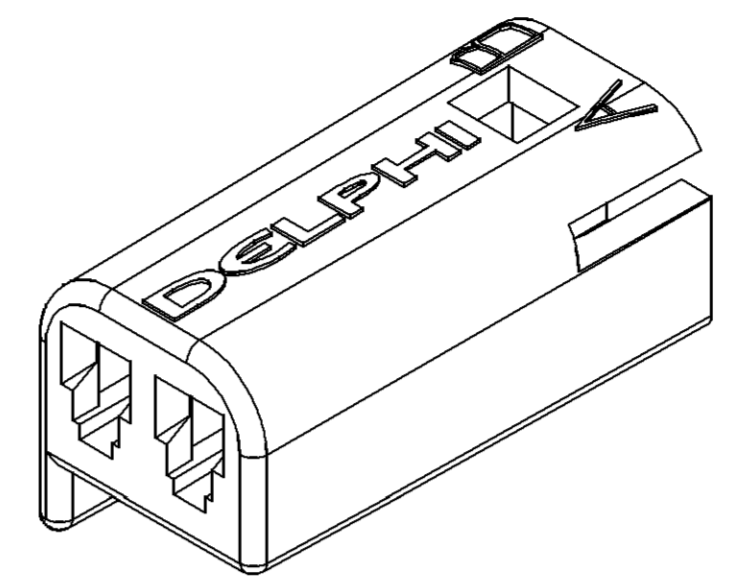
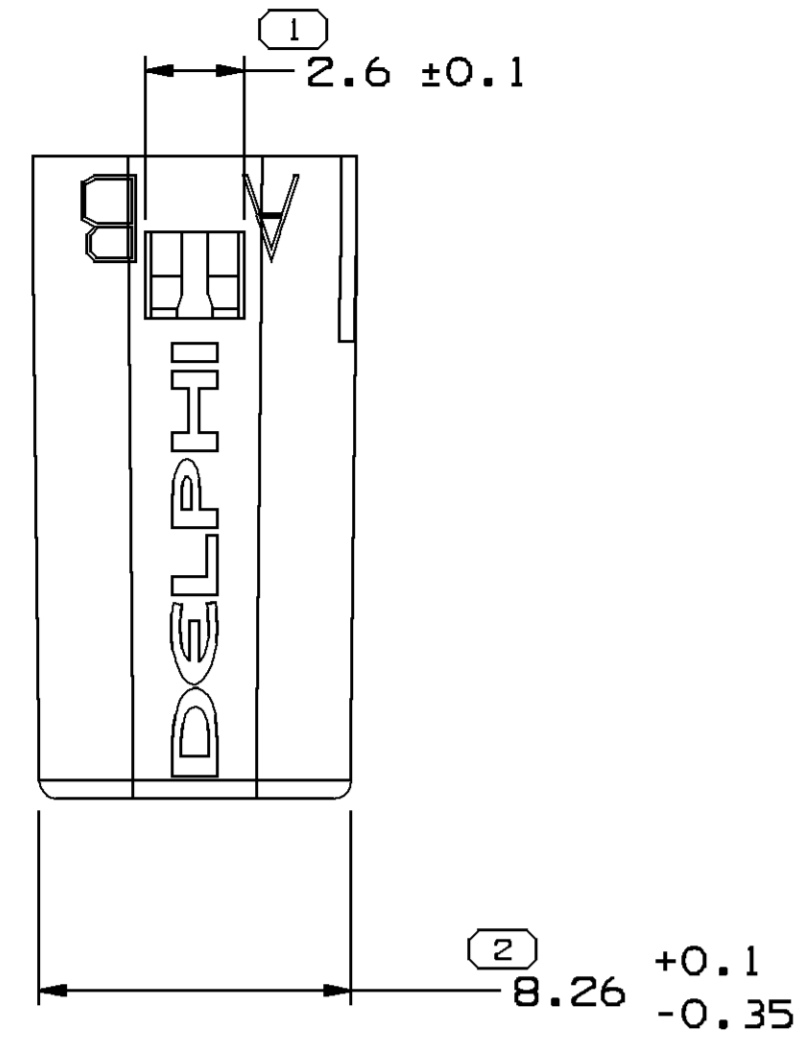


SYMBOL DEFINITION		MISSING NUMBERS	
THE NUMBER INSIDE THE SYMBOL 	TOTAL NO. OF SYMBOLS ON DRAWING	13	
	LAST NO. USED	13	

DWG STATUS				ZONE	REVISION HISTORY	AUTH	DR	APVD1	APVD2
DATE	STG	REV	N/P						
25N099	R	01	-	-	ALL PARTS - REDRAWN TO PD	196858	CMP	GMC	DN
170C01	R	02	-	-	ALL PARTS - ADDED OPTIONAL CONSTRUCTION & MATERIAL RECYCLING CODE NOTES & REVISED CAVITIES ID LOCATIONS	215985	EOV	EOV	GMC
04SE02	R	03	-	-	ALL PARTS - SECONDARY TERMINAL LOCK NOTE WAS 12047664	230019	RVP	RVP	GMC
23N005	R	04	-	-	ALL PARTS - ADDED NOTE 7	274632	BB	BB	B6
30MR06	R	05	-	-	12059249 - MAT'L SPEC WAS M3592002	278565	GPS	FRG	JGS



NOTES

- UNLESS OTHERWISE SPECIFIED AND/OR INDICATED:
DIMENSIONS ARE TO FACE OF VIEW SHOWN AND AUTOMATICALLY ROUNDED BY COMPUTER FOR INSPECTION (SEE MATH MODEL FOR PRECISE DIMENSIONS). FOR ALL OTHER DIMENSIONS NOT SHOWN BUT REQUIRED FOR TOOL BUILD, SEE MATH MODEL FOR PRECISE TOOL PATH DATA.
- MATERIAL RECYCLING CODE PER ISO 11469. (2.3)X(0.1) CHARACTERS AS SHOWN TO BE LOCATED ON ANY EXTERIOR SURFACE. OPTIONAL CONSTRUCTION TO BE NO MATERIAL RECYCLING CODE.
- THIS PART IS NOT CONTROLLED FOR AUTOMATIC FEEDING.
- REFERENCE MATING COMPONENTS OR EQUIVALENT:
CONNECTOR SEE CHART
- THIS PART ACCEPTS THE FOLLOWING COMPONENTS OR EQUIVALENT:
TERMINAL 12047883
MAX INSULATION CRIMP MUST BE LESS THAN 2.3 HIGH AND 2.7 WIDE.
SECONDARY TERMINAL LOCK 15324070
- (2.3)X(0.1) DELPHI CORPORATE BRAND TO BE LOCATED ON ANY EXTERIOR SURFACE, PREFERABLY VISIBLE AT FINAL ASSEMBLY. OPTIONAL CONSTRUCTION TO BE "PED" OR NO LOGO.
- FOR MATING CONFIGURATION REQUIREMENTS, SEE PART NUMBER 13548762.

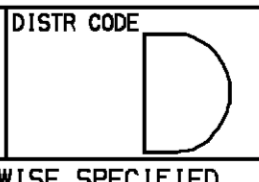
12059249	02	-	-	M3592024 PA66 HS IM CRM	12059250	0.583
12059247	A4	-	-	M3592025 PA66 HS IM GRA MD	12059248	0.583
12047662	A5	-	-	M3592001 PA66 HS IM BLK	12047663	0.583
PART NO	REV	N/P	STATUS	MATERIAL SPECIFICATION AND COLOR	MATING CONNECTOR	VOLUME CM ³

DIMENSIONAL RANGE (MM)		TOLERANCE UNLESS OTHERWISE SPECIFIED		ANGULAR TOLERANCE ±2°	
FROM	TO	±0.15	±0.2	±0.3	±0.4
>0	>20	>20	>30	>30	>70
>20	>30	>30	>70	>70	>100
>30	>70	>70	>100	>100	>150
>70	>100	>100	>150	>150	>200
>100	>150	>150	>200	>200	>250
>150	>200	>200	>250	>250	>300
>200	>250	>250	>300	>300	>400

DWG TYPE: PART DRAWING

STYLE: SEE CHART

VOLUME (CM³): SEE CHART

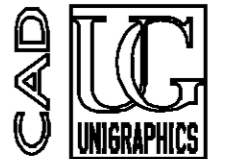
DISTR CODE: 

UNLESS OTHERWISE SPECIFIED
THIS DOCUMENT IS IN ACCORDANCE WITH ASME Y14.5M-1994 AS AMENDED BY THE GM GLOBAL DIMENSIONING AND TOLERANCING ADDENDUM - 1997. ALL GEOMETRIC TOLERANCES AND RELATED DATUMS APPLY RFS. RULE #1 (PERFECT FORM AT MMC) DOES NOT APPLY WHEN RELATIONSHIP BETWEEN FEATURES IS ESTABLISHED BY ORIENTATION OR LOCATION TOLERANCES. SEPARATE POSITION CALLOUTS MAY BE GAGED SEPARATELY, REGARDLESS OF DATUM REFERENCE.
ALL DIMENSIONS ARE IN MILLIMETERS

THIRD ANGLE PROJECTION

DO NOT SCALE

USE MATH DATA



DELPHI

DELPHI PACKARD ELECTRIC SYSTEMS
WARREN, OH

DR	DATE
APVD1 C. MIRANDA	25N099
APVD2 G. MACIAS	20JA00
APVD3 D. NAVARRO	26JA00
APVD4	
APVD5	

SUBSTANCES OF CONCERN AND RECYCLED CONTENT PER DELPHI 10949001

MATERIAL: SEE CHART

DRAWING NAME: TAXI CONN F M/P 150

DRAWING NUMBER: 12059281

SIZE	SCALE	FRAME NO	SHEET NO	STG	REV	N/P
A1	5:1	1 OF 1	1 OF 1	R	05	-

Mouser Electronics

Authorized Distributor

Click to View Pricing, Inventory, Delivery & Lifecycle Information:

[Aptiv:](#)

[12047662](#) [12047662-B](#)